

DWG No. 90-133129-00
 SH 1
 REV. C00

MGE UPS SYSTEMS, INC. CLAIMS PROPRIETARY RIGHTS IN THE MATERIAL DISCLOSED HEREIN. THIS DOCUMENT IS ISSUED FOR ENGINEERING INFORMATION ONLY. IT MAY NOT BE DISCLOSED TO OTHERS NOR MAY IT BE USED FOR MANUFACTURING PURPOSES WITHOUT WRITTEN PERMISSION FROM MGE UPS SYSTEMS, INC.

REVISIONS			
REV	DESCRIPTION	DATE	APPROVED
A00	NEW RELEASE ECN-003480	07/23/03	LPG
A01	REVISED PER ECN-004555	9/22/05	M.M.
B00	CHANGED SUMMARY TO GENERAL ALARM	01/19/07	SD
B01	ADDED GALAXY 5000	11/02/07	M.M.
C00	REVISED PER ECN-005939	05/02/08	JJ

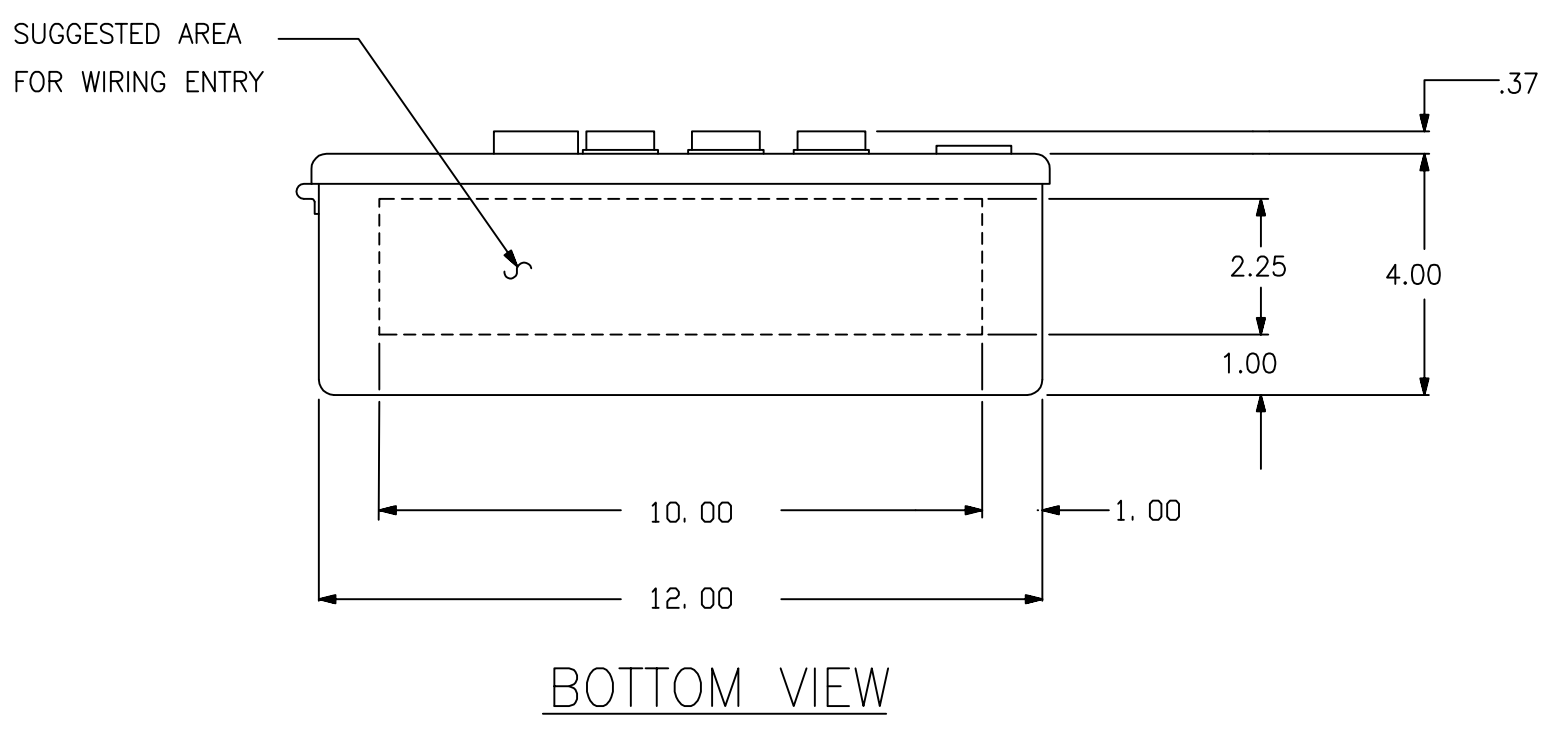
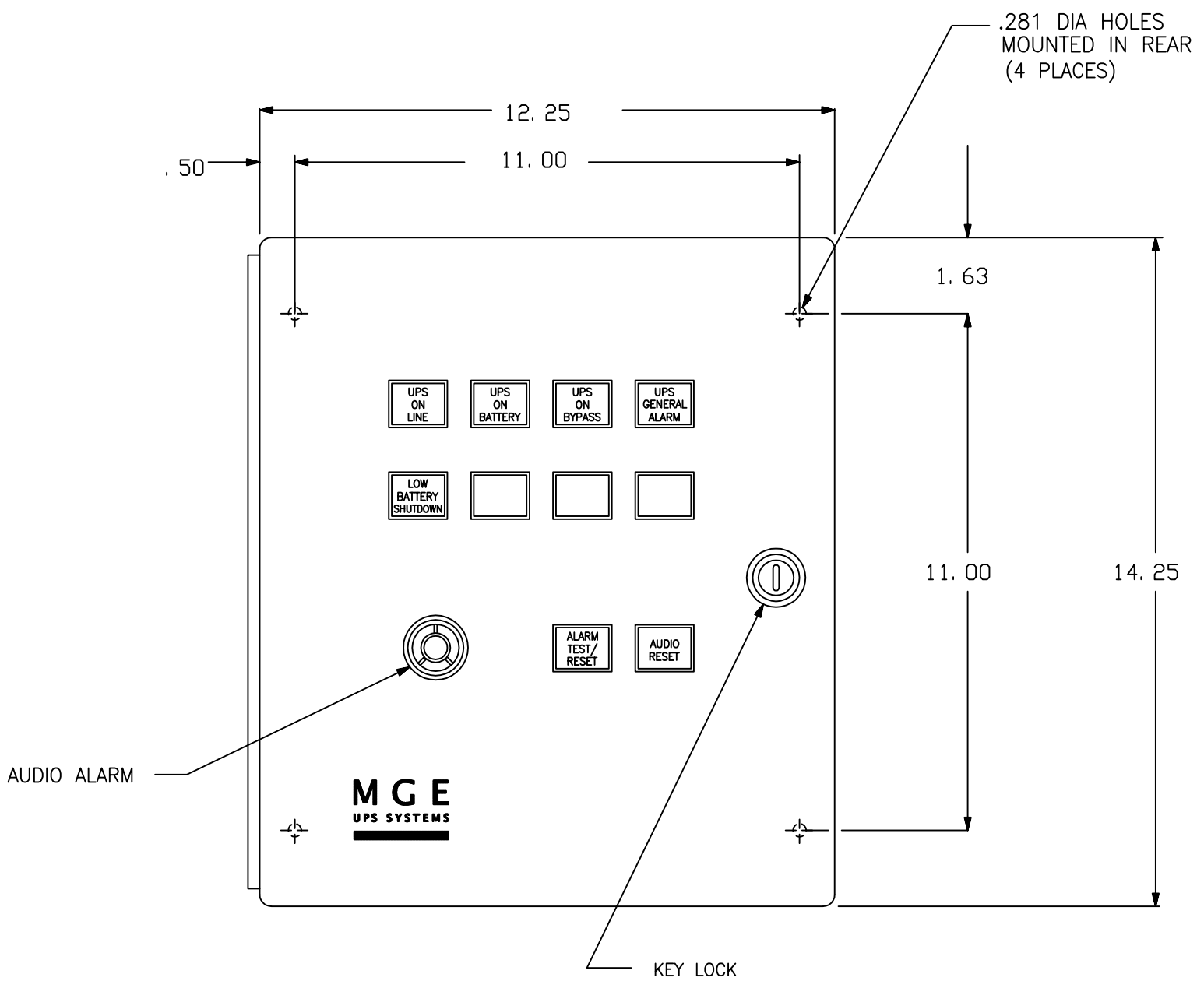
NOTES:

- UNLESS OTHERWISE SPECIFIED ALL DIMENSIONS ARE TO THE OUTSIDE EDGE OF ENCLOSURE, EXCLUDING HARDWARE, LOCKS, KEYS, ETC.
- UNLESS OTHERWISE NOTED ALL INTERCONNECTION WIRES TO BE SUPPLIED AND INSTALLED BY THE CUSTOMER.
- COLOR: MEDIUM GRAY
- APPROXIMATE WEIGHT: 20 LBS.
- REF. ASSY. NO. 76-161408-00

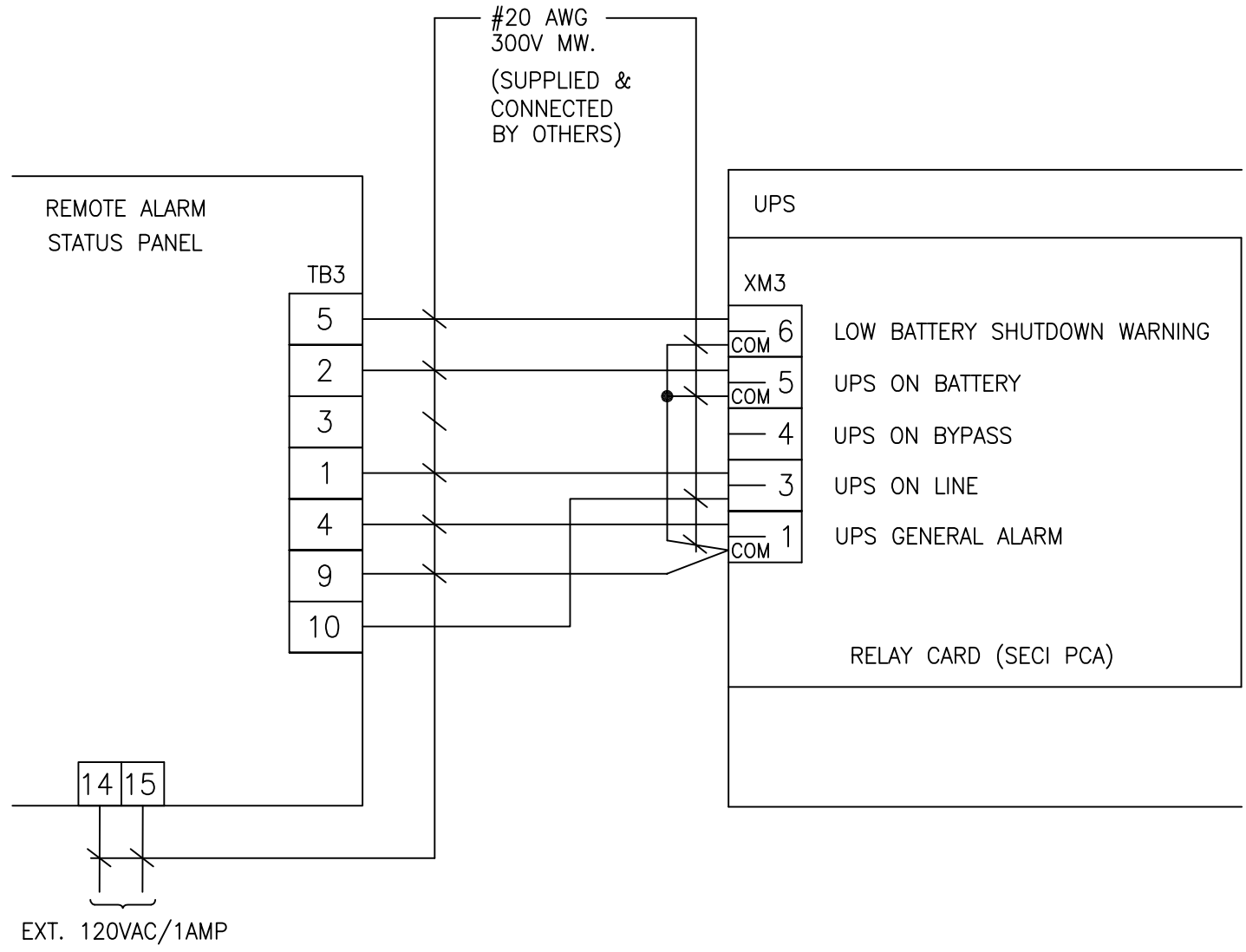
SHEET NO.	APPLICABLE PRODUCT
3	GALAXY 3000, 4000, 50000, PW225
4	EPS-3000, COMET

UNLESS OTHERWISE SPECIFIED DIMENSIONS ARE IN INCHES AND [MILLIMETERS]. TOLERANCES ARE: DECIMALS [MILLIMETERS] .X=± .1 X=± 2.54 .XX=± .03 .X=± .7 .XXX=± .010 .XX=± .25 ANGLES ± 0°30' MATERIAL FINISH	CONTRACT NO.		MGE UPS SYSTEMS		MGE UPS Systems, Inc. 1660 Scenic Avenue Costa Mesa, CA. 92626 U.S.A.	
	APPROVALS DRAWN H.DINH CHECKED LPG ISSUED LNA DO NOT SCALE DRAWING	DATE 08/21/02 08/21/02 08/21/02	INSTALLATION & OUTLINE DRAWING REMOTE ALARM STATUS PNL (RASP) SURFACE MOUNT			
		SIZE A SCALE NONE	CAGE CODE 9L985 CAD	DWG NO. 90-133129-00 SHEET 1 OF 4	REV. C00	

DWG No. 90-133129-00
SH 2
REV. C00



SIZE A	CAGE CODE 9L985	DWG NO. 90-133129-00	REV. C00
SCALE NONE	CAD	SHEET 2	

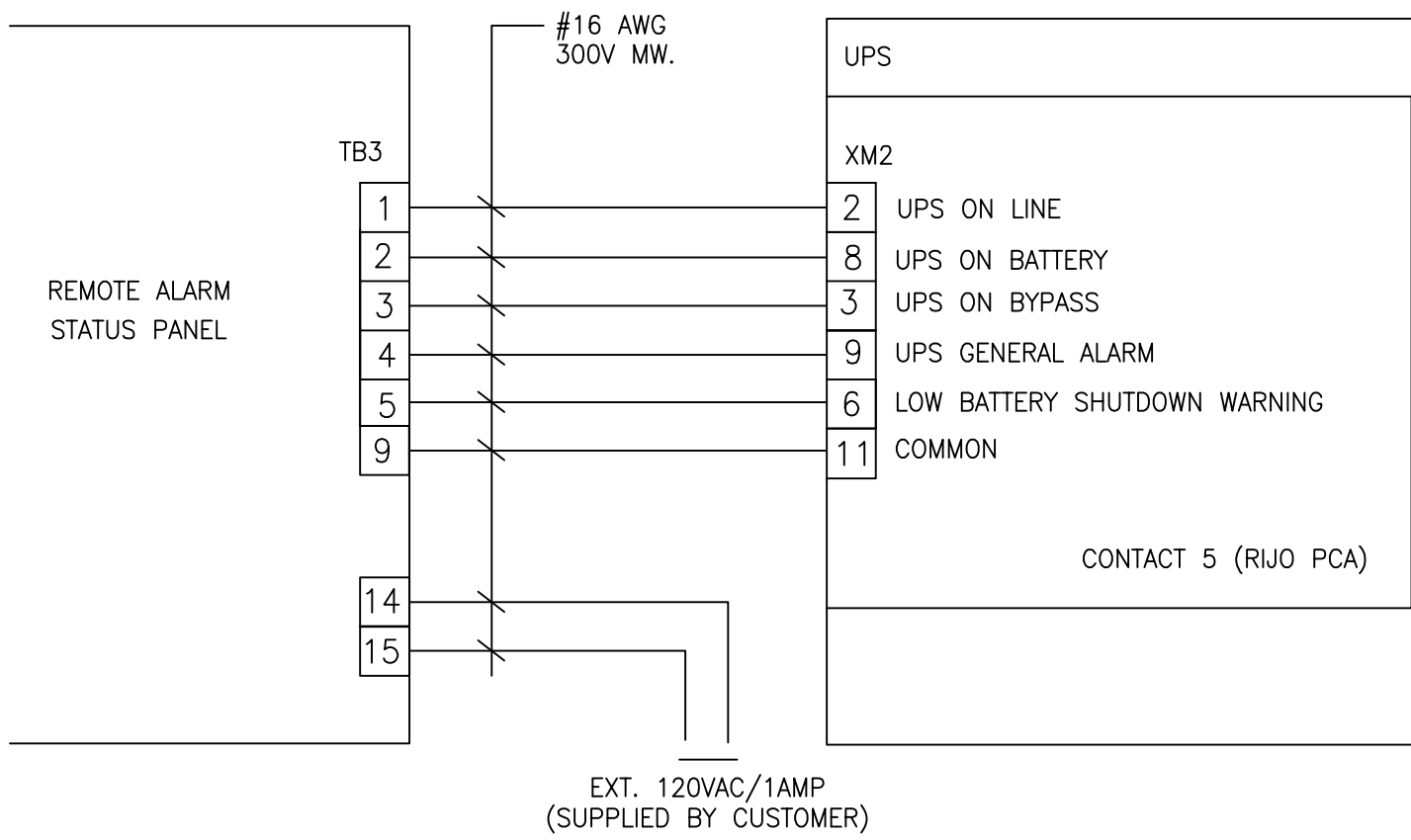


GALAXY 3000, 4000, 5000 AND PW225 INTERCONNECTION DIAGRAM

1. THIS INSTALLATION REQUIRES THAT THE UPS TO BE EQUIPPED WITH 'SECI' PCA.
- NOTES: 2. REFER THE SPECIFIC RASP INSTALLATION DRAWING

SIZE A	CAGE CODE 9L985	DWG NO. 90-133129-00	REV. C00
SCALE NONE	CAD	SHEET 3	

DWG No. 90-133129-00
SH 4
REV. C00



EPS-3000 AND COMET INTERCONNECTION DIAGRAM

1. THIS INSTALLATION REQUIRES THAT THE UPS TO BE EQUIPPED WITH CONTACT 5 OPTION.

NOTES:

SIZE A	CAGE CODE 9L985	DWG NO. 90-133129-00	REV. C00
SCALE NONE	CAD	SHEET 4	