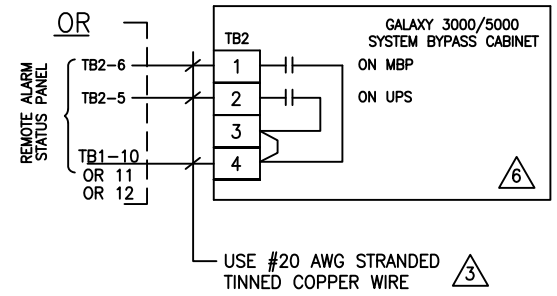
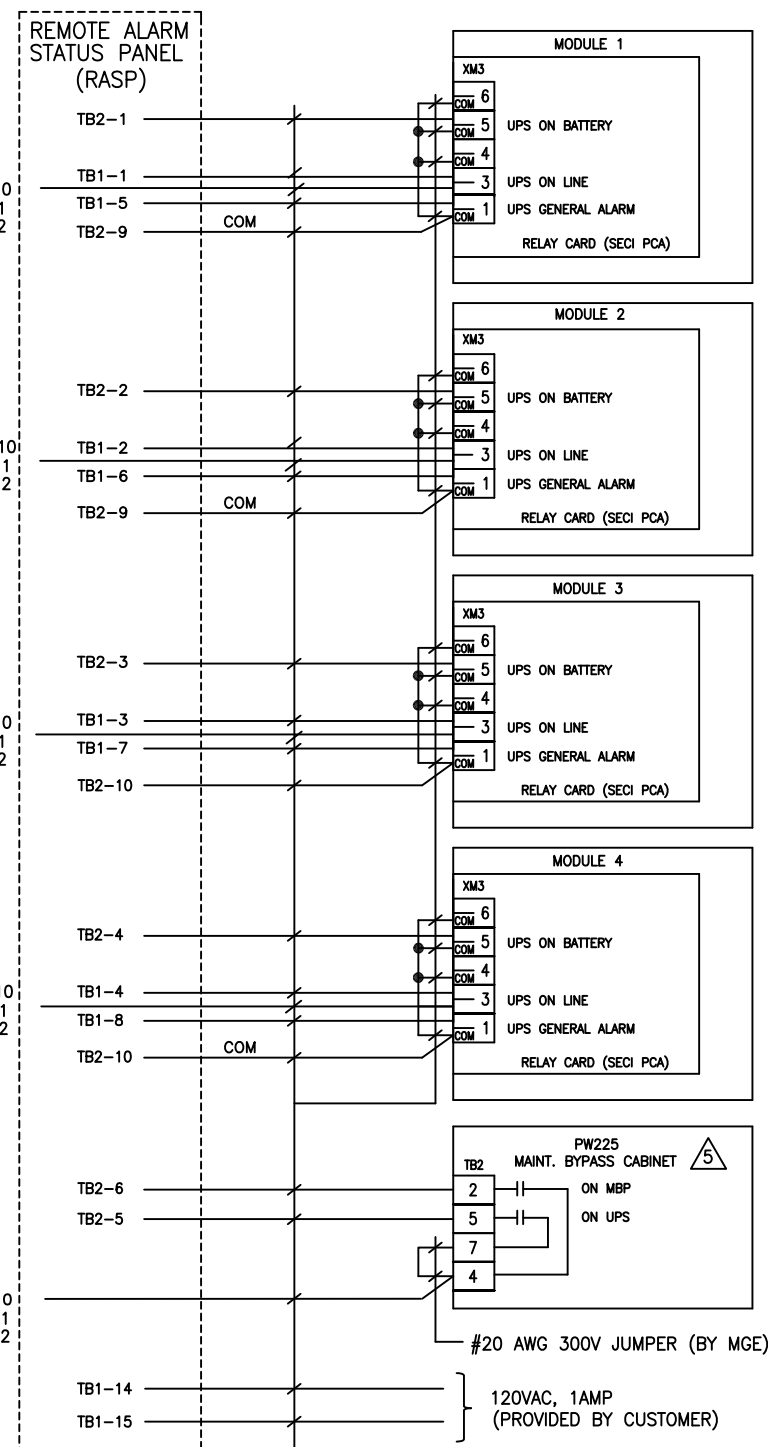
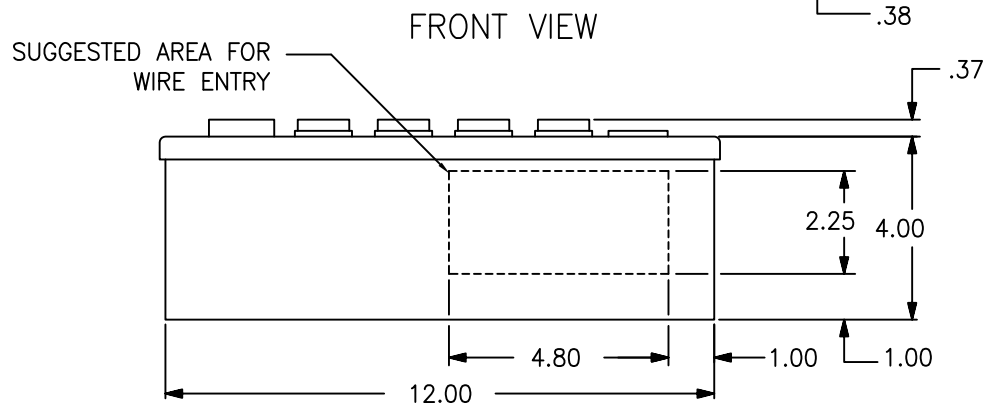
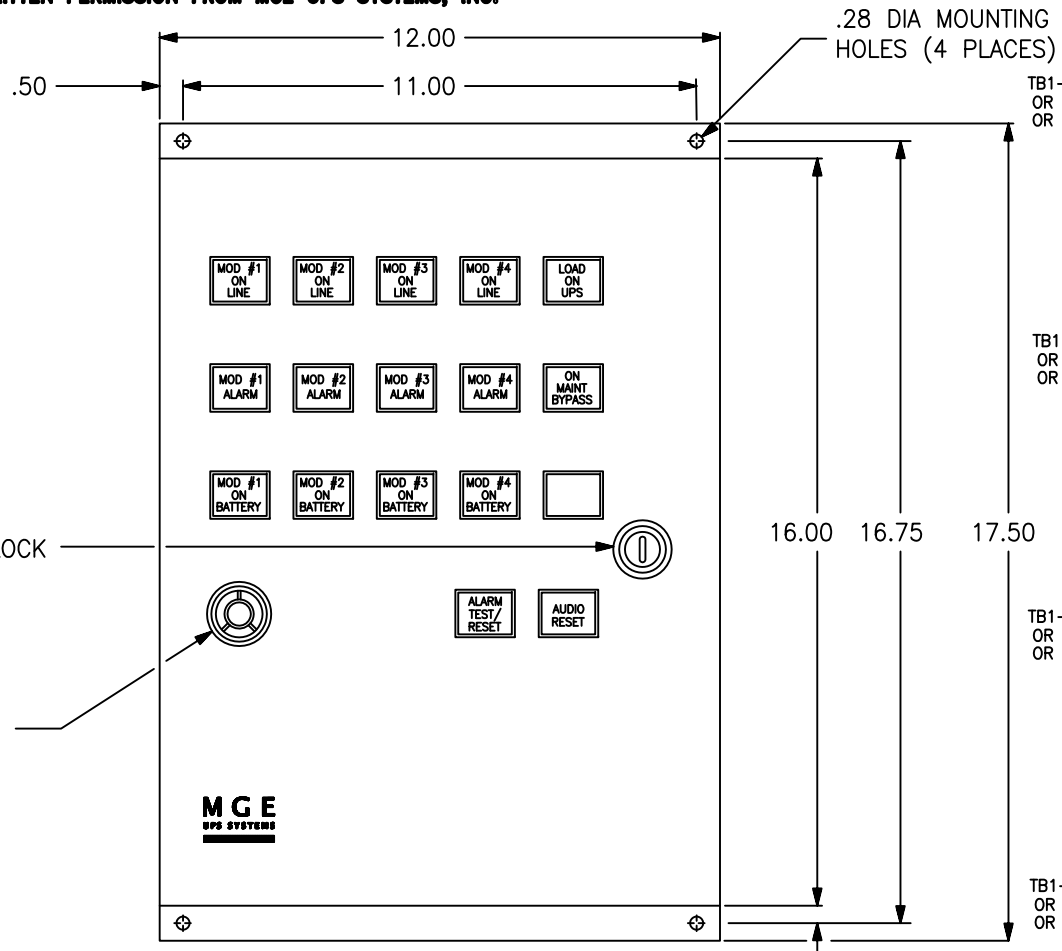


MGE UPS SYSTEMS, INC. CLAIMS PROPRIETARY RIGHTS IN THE MATERIAL DISCLOSED HEREIN. THIS DOCUMENT IS ISSUED FOR ENGINEERING INFORMATION ONLY. IT MAY NOT BE DISCLOSED TO OTHERS NOR MAY IT BE USED FOR MANUFACTURING PURPOSES WITHOUT WRITTEN PERMISSION FROM MGE UPS SYSTEMS, INC.

REVISIONS			
REV	DESCRIPTION	DATE	APPROVED
A00	RELEASE ECN-005038	11/02/06	MM
B00	CHANGED SUMMARY TO GENERAL ALARM	01/19/07	SD
B01	REVISED TO ADD GALAXY 5000	11/01/07	BK M.M.
C00	REVISED PER ECN-005939	04/28/08	JJ
C01	REVISED PER ECN-006080	08/12/08	M.M.



USE #20 AWG STRANDED TINNED COPPER WIRE

- COLOR: MGE MED GRAY.
- APPROXIMATE WEIGHT: 20 LBS.
- ALL INTERCONNECT WIRES TO BE #20 AWG STRANDED TINNED COPPER WIRE, PROVIDED AND CONNECTED BY CUSTOMER.
- UNLESS OTHERWISE SPECIFIED ALL DIMENSIONS ARE TO THE OUTSIDE EDGE OF ENCLOSURE, EXCLUDING HARDWARE, SWITCH HANDLES, LOCKS, KEYS, ETC.
- APPLICABLE MODELS FOR PW225: 72-133077-00, 72-133077-35 AND 72-133077-70.
- APPLICABLE MODELS FOR GALAXY 3000: 72-170822-22, 72-170823-22, 72-170832-22, 72-170833-22.
- APPLICABLE MODELS FOR GALAXY 5000: 72-17407X-XX.
- ALL DIMENSIONS ARE IN INCHES.

NOTES: UNLESS OTHERWISE SPECIFIED.

<p>UNLESS OTHERWISE SPECIFIED DIMENSIONS ARE IN INCHES AND [MILLIMETERS].</p> <p>TOLERANCES ARE:</p> <table border="0"> <tr> <td>DECIMALS</td> <td>[MILLIMETERS]</td> </tr> <tr> <td>.X=±</td> <td>.X=±</td> </tr> <tr> <td>.XX=±</td> <td>.XX=±</td> </tr> <tr> <td>.XXX=±</td> <td>.XX=±</td> </tr> </table> <p>ANGLES ±</p> <p>MATERIAL</p> <p>FINISH</p>	DECIMALS	[MILLIMETERS]	.X=±	.X=±	.XX=±	.XX=±	.XXX=±	.XX=±	CONTRACT NO.		<p>MGE MGE UPS Systems, Inc.</p> <p>UPS SYSTEMS 1660 Scenic Avenue Costa Mesa, CA. 92626 U.S.A.</p>	
	DECIMALS	[MILLIMETERS]										
	.X=±	.X=±										
	.XX=±	.XX=±										
.XXX=±	.XX=±											
APPROVALS	DATE	INSTALLATION DRAWING										
DRAWN B.K	08/16/06	REMOTE ALARM STATUS PANEL (RASP)										
CHECKED MM	08/16/06	PW225, GALAXY 3000/5000 4 MODULE										
ISSUED IK	08/16/06	SIZE B	CAGE CODE 9L985	DWG NO. 90-133083-04	REV. C01							
DO NOT SCALE DRAWING		SCALE NONE	CAD	SHEET 1 OF 1								