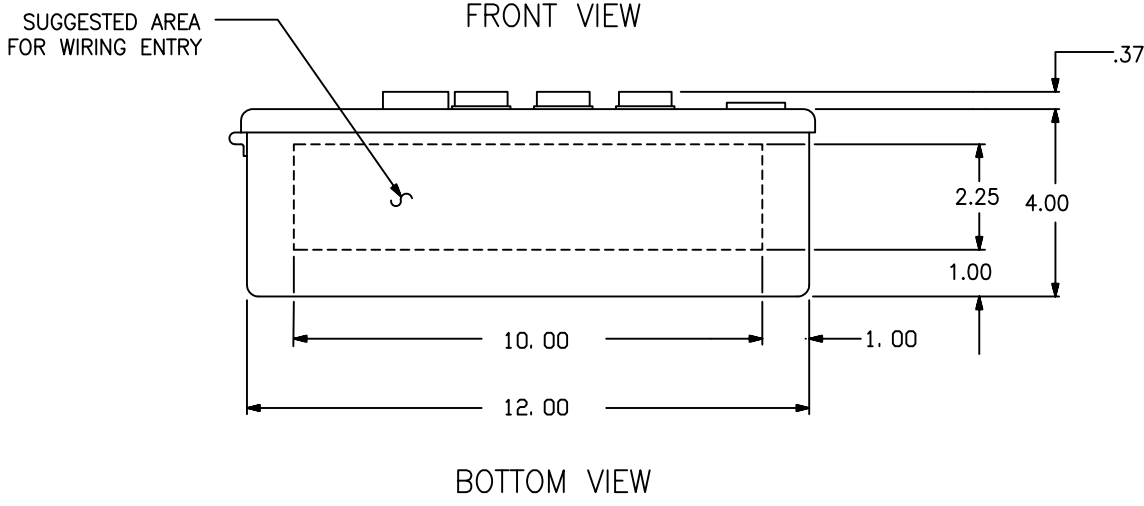
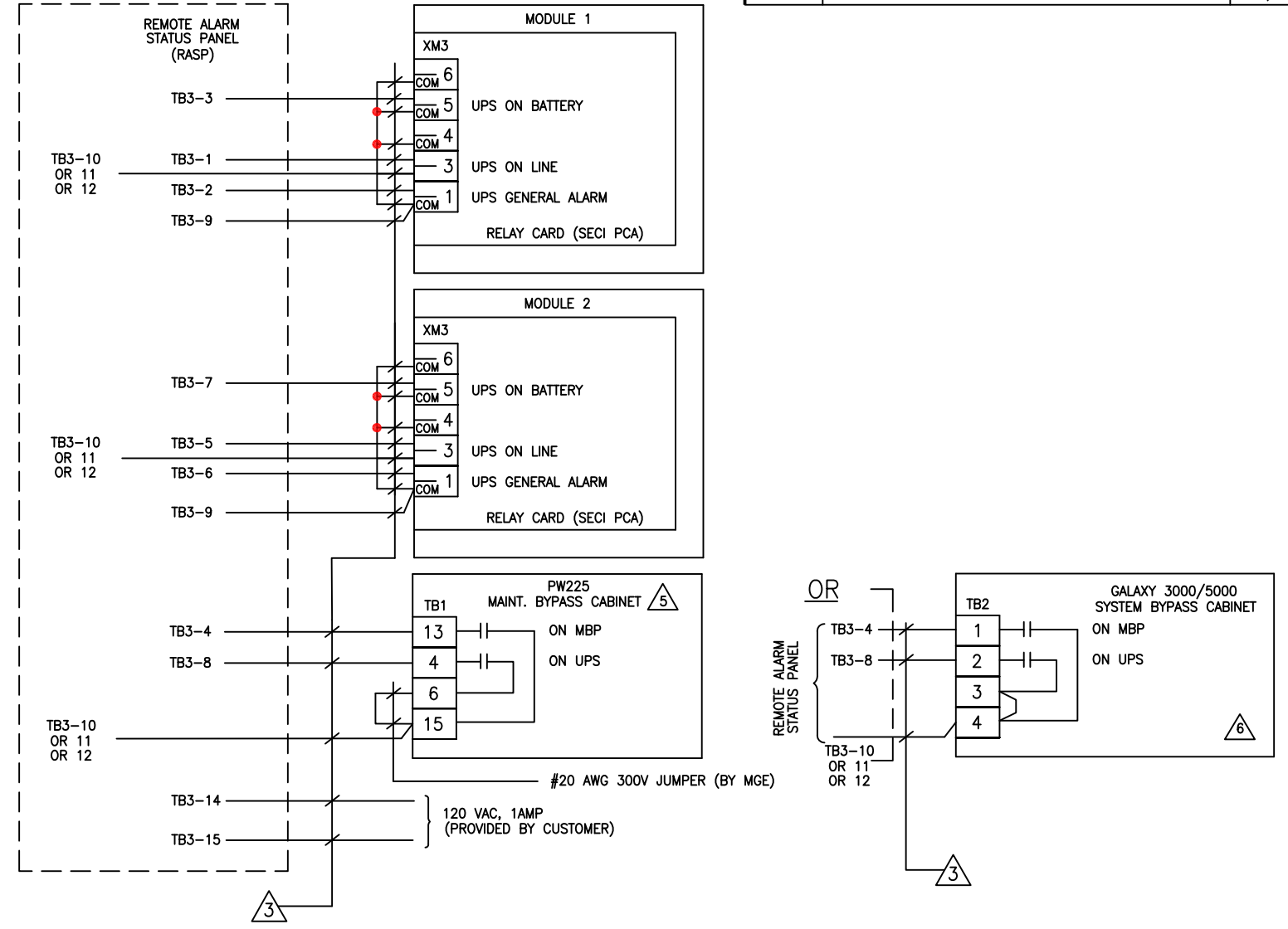
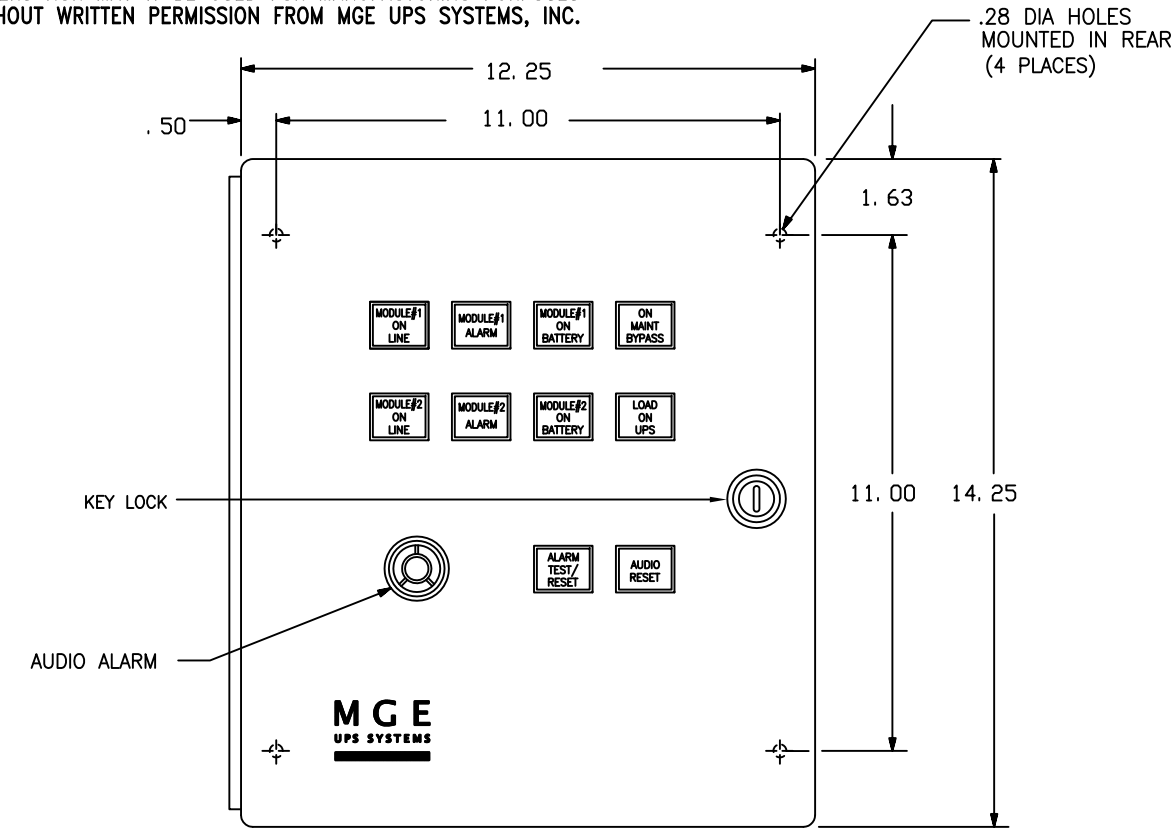


MGE UPS SYSTEMS, INC. CLAIMS PROPRIETARY RIGHTS IN THE MATERIAL DISCLOSED HEREIN. THIS DOCUMENT IS ISSUED FOR ENGINEERING INFORMATION ONLY. IT MAY NOT BE DISCLOSED TO OTHERS NOR MAY IT BE USED FOR MANUFACTURING PURPOSES WITHOUT WRITTEN PERMISSION FROM MGE UPS SYSTEMS, INC.

| REVISIONS |                                  |          |          |
|-----------|----------------------------------|----------|----------|
| REV       | DESCRIPTION                      | DATE     | APPROVED |
| A00       | NEW RELEASE ECN-003480           | 07/23/03 | LNA      |
| B00       | REVISED PER ECN-005038           | 11/02/06 | BK M.M.  |
| C00       | CHANGED SUMMARY TO GENERAL ALARM | 01/19/07 | SD       |
| C01       | REVISED TO ADD GALAXY 5000       | 11/01/07 | BK M.M.  |
| D00       | REVISED PER ECN-005939           | 04/28/08 | JJ       |
| D01       | REVISED PER ECN-006080           | 08/12/08 | M.M.     |



NOTES: UNLESS OTHERWISE SPECIFIED

- COLOR: MGE MED GRAY.
- APPROXIMATE WEIGHT: 20 LBS.
- ALL INTERCONNECT WIRES TO BE #20 AWG STRANDED TINNED COPPER WIRE, PROVIDED AND CONNECTED BY CUSTOMER.
- UNLESS OTHERWISE SPECIFIED ALL DIMENSIONS ARE TO THE OUTSIDE EDGE OF ENCLOSURE, EXCLUDING HARDWARE, SWITCH HANDLES, LOCKS, KEYS, ETC.
- APPLICABLE MODELS FOR: PW225: 72-133110-31 AND 72-133110-41.
- APPLICABLE MODELS FOR GALAXY 3000: 72-170822-22, 72-170823-22, 72-170832-22, 72-170833-22.  
APPLICABLE MODELS FOR GALAXY 5000: 72-17407X-XX.
- ALL DIMENSIONS ARE IN INCHES.

|   |                      |          |  |                 |
|---|----------------------|----------|--|-----------------|
| UNLESS OTHERWISE SPECIFIED DIMENSIONS ARE IN INCHES AND [MILLIMETERS].<br>TOLERANCES ARE:<br>DECIMALS [MILLIMETERS]<br>.X=± .1 X=± 2.54<br>.XX=± .03 .X=± .7<br>.XXX=± .010 .XX=± .25<br>ANGLES ± 0°30'<br>MATERIAL<br>FINISH | CONTRACT NO.         |          | <b>MGE UPS Systems, Inc.</b><br>1660 Scenic Avenue<br>Costa Mesa, CA. 92626 U.S.A.           |                 |
|   | APPROVALS            | DATE     |  |                 |
|   | DRAWN H.DINH         | 09/10/02 | INSTALLATION DRAWING<br>REMOTE ALARM STATUS PANEL (RASP)<br>PW225, GALAXY 3000/5000 2 MODULE |                 |
|   | CHECKED LNA          | 09/10/02 |  |                 |
|   | ISSUED LNA           | 09/10/02 | SIZE B   | CAGE CODE 9L985 |
|   | DO NOT SCALE DRAWING |          | DWG NO. 90-133083-02   | REV. D01        |
|   | SCALE NONE           | CAD      | SHEET 1 OF 1   |                 |