

DWG NO. 90-133058-00  
 SH 1  
 REV. C00

MGE UPS SYSTEMS, INC. CLAIMS PROPRIETARY RIGHTS IN THE MATERIAL DISCLOSED HEREIN. THIS DOCUMENT IS ISSUED FOR ENGINEERING INFORMATION ONLY. IT MAY NOT BE DISCLOSED TO OTHERS NOR MAY IT BE USED FOR MANUFACTURING PURPOSES WITHOUT WRITTEN PERMISSION FROM MGE UPS SYSTEMS, INC.

REVISIONS			
REV	DESCRIPTION	DATE	APPROVED
A00	NEW RELEASE ECN-002670	06/06/02	LNA
A01	REVISED PER ECN-004555	09/21/05	M.M.
B00	CHANGED SUMMARY TO GENERAL ALARM	01/19/07	SD
C00	CHANGED TITLE AND ADD GALAXY 5000	06/12/08	M.M.

NOTES:

- UNLESS OTHERWISE SPECIFIED ALL DIMENSIONS ARE TO THE OUTSIDE EDGE OF ENCLOSURE, EXCLUDING HARDWARE, LOCKS, KEYS, ETC.
- UNLESS OTHERWISE NOTED ALL INTERCONNECTION WIRES TO BE SUPPLIED AND INSTALLED BY THE CUSTOMER.
- COLOR: LIGHT BEIGE
- APPROXIMATE WEIGHT: 20 LBS.
- REF. ASSY. NO. 20-120100-00

SHEET NO.	APPLICABLE PRODUCT
3	EPS6000, EPS7000, EPS8000
4	GALAXY PW225
5	EPS-3000, COMET
6	GALAXY3000, GALAXY4000, GALAXY5000

UNLESS OTHERWISE SPECIFIED DIMENSIONS ARE IN INCHES AND [MILLIMETERS].  
 TOLERANCES ARE:  
 DECIMALS [MILLIMETERS]  
 .X=± .1 X=± 2.54  
 .XX=± .03 X=± .7  
 .XXX=± .010 .XX=± .25  
 ANGLES ± 0'30'

CONTRACT NO.



MGE UPS Systems, Inc.  
 1660 Scenic Avenue  
 Costa Mesa, CA. 92626 U.S.A.

APPROVALS DATE

DRAWN H.DINH 05/20/02

CHECKED LNA 05/20/02

ISSUED LNA 05/20/02

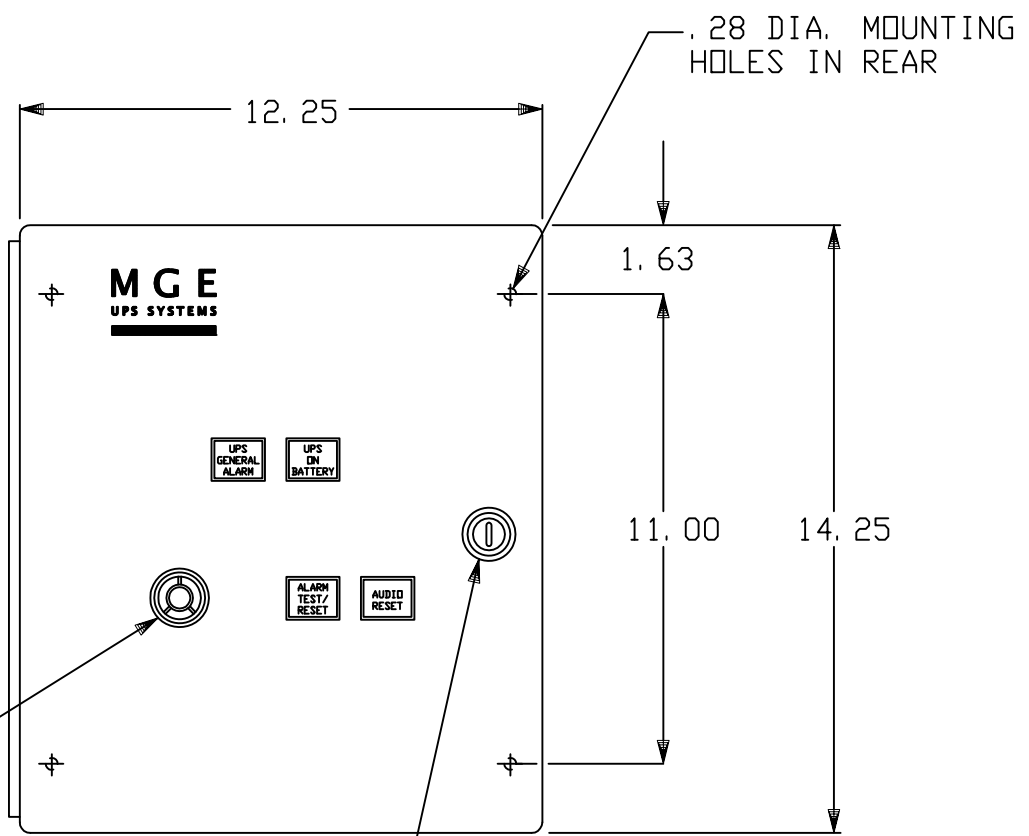
DO NOT SCALE DRAWING

**INSTALLATION & OUTLINE DRAWING**  
**REMOTE SUMM ALARM PNL (RSAP)**  
**SURFACE MOUNT**

SIZE	CAGE CODE	DWG NO.	REV.
A	9L985	90-133058-00	C00

SCALE	NONE	CAD	SHEET 1 OF 6
-------	------	-----	--------------

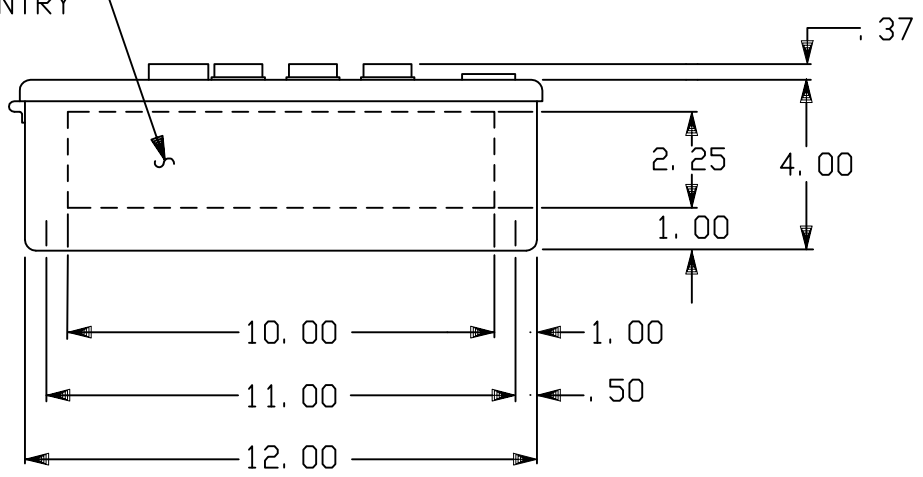
DWG No. 90-133058-00 SH. 2 REV. C00



AUDIO ALARM

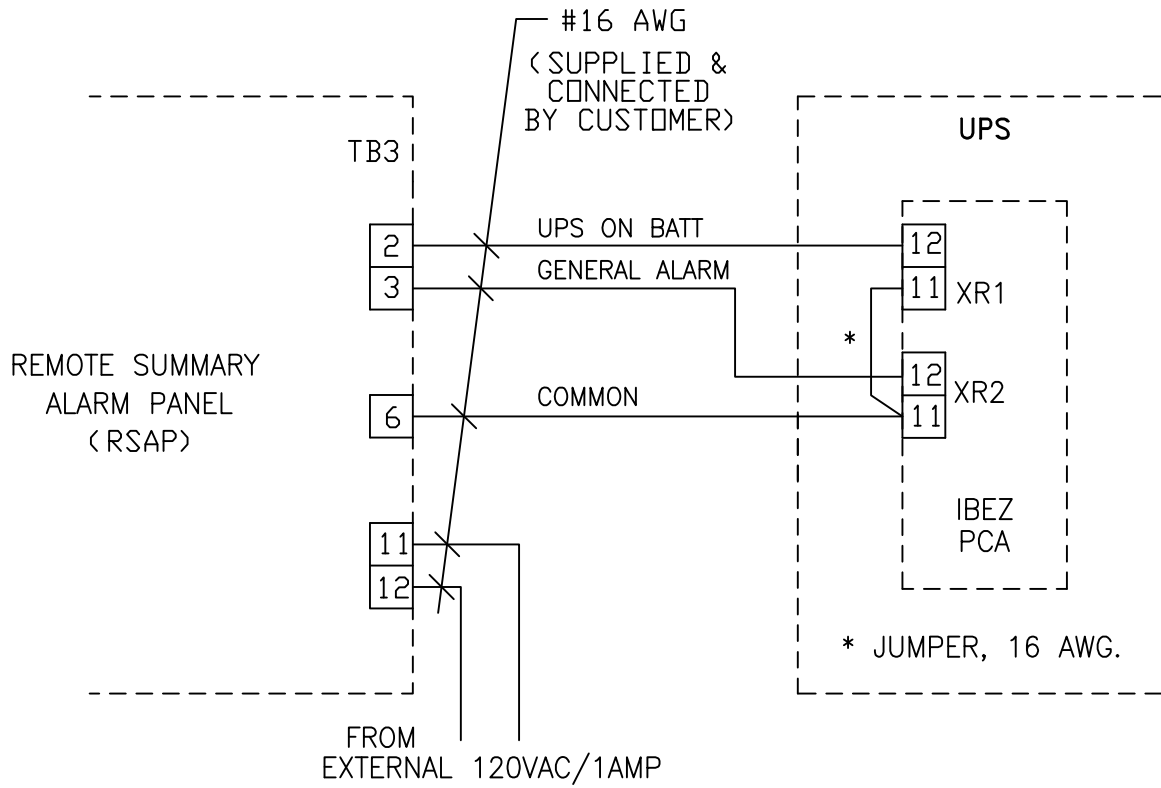
KEY LOCK

SUGGESTED AREA FOR WIRING ENTRY



BOTTOM VIEW

SIZE	CAGE CODE	DWG NO.	REV.
A	9L985	90-133058-00	C00
SCALE	NONE	CAD	SHEET 2

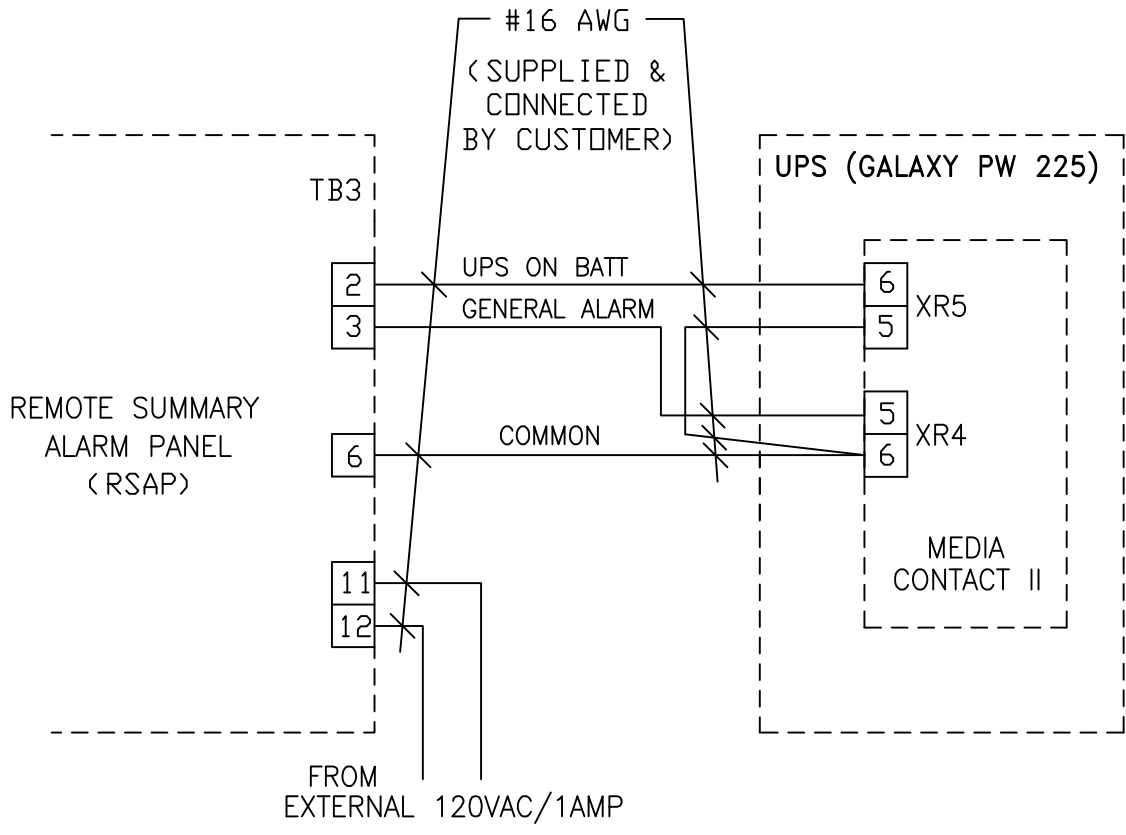


EPS6000, EPS7000, EPS8000 INTERCONNECTION DIAGRAM

NOTES:

① REFER TO UPS INSTALLATION DWG. FOR LOCATION OF IBEZ PCA.

SIZE	CAGE CODE	DWG NO.	REV.
A	9L985	90-133058-00	C00
SCALE	NONE	CAD	SHEET 3

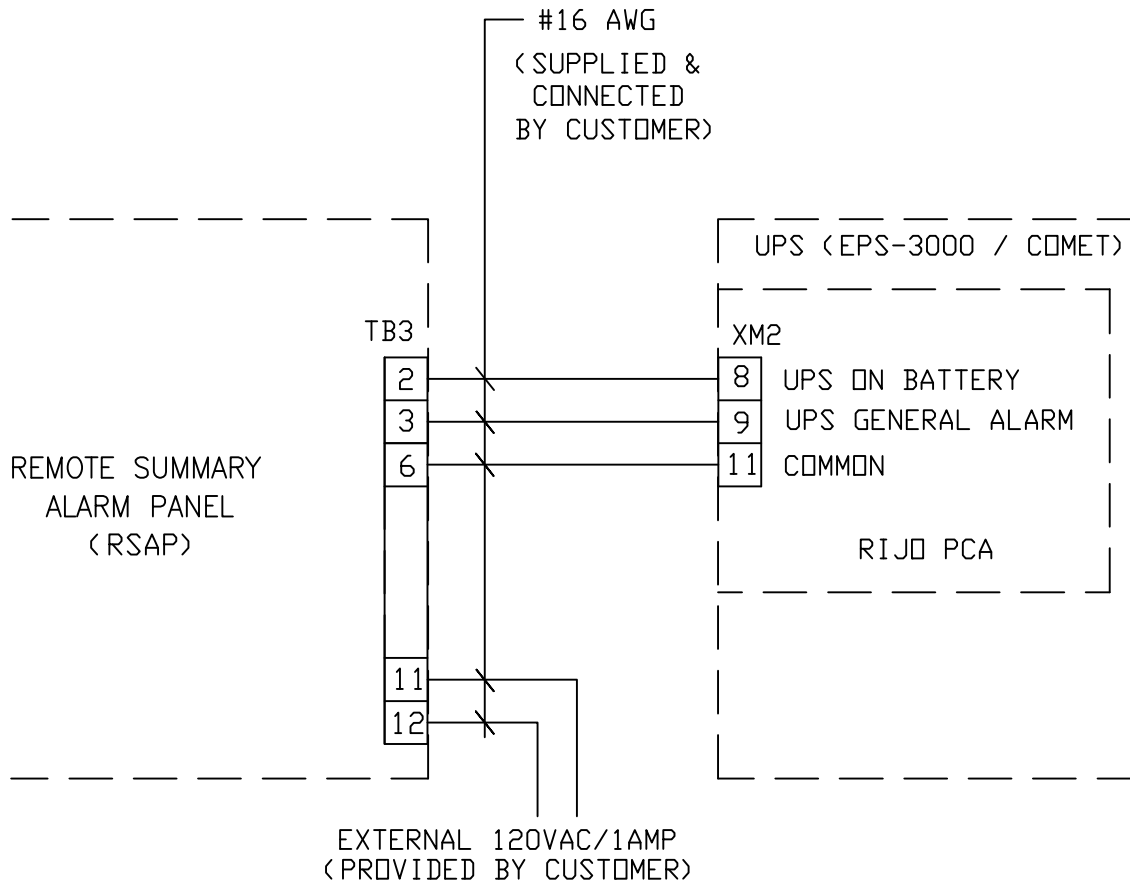


GALAXY PW225 INTERCONNECTION DIAGRAM

NOTES:

① REFER TO UPS INSTALLATION DWG. FOR LOCATION OF PCA.

SIZE	CAGE CODE	DWG NO.	REV.
A	9L985	90-133058-00	C00
SCALE	NONE	CAD	SHEET 4

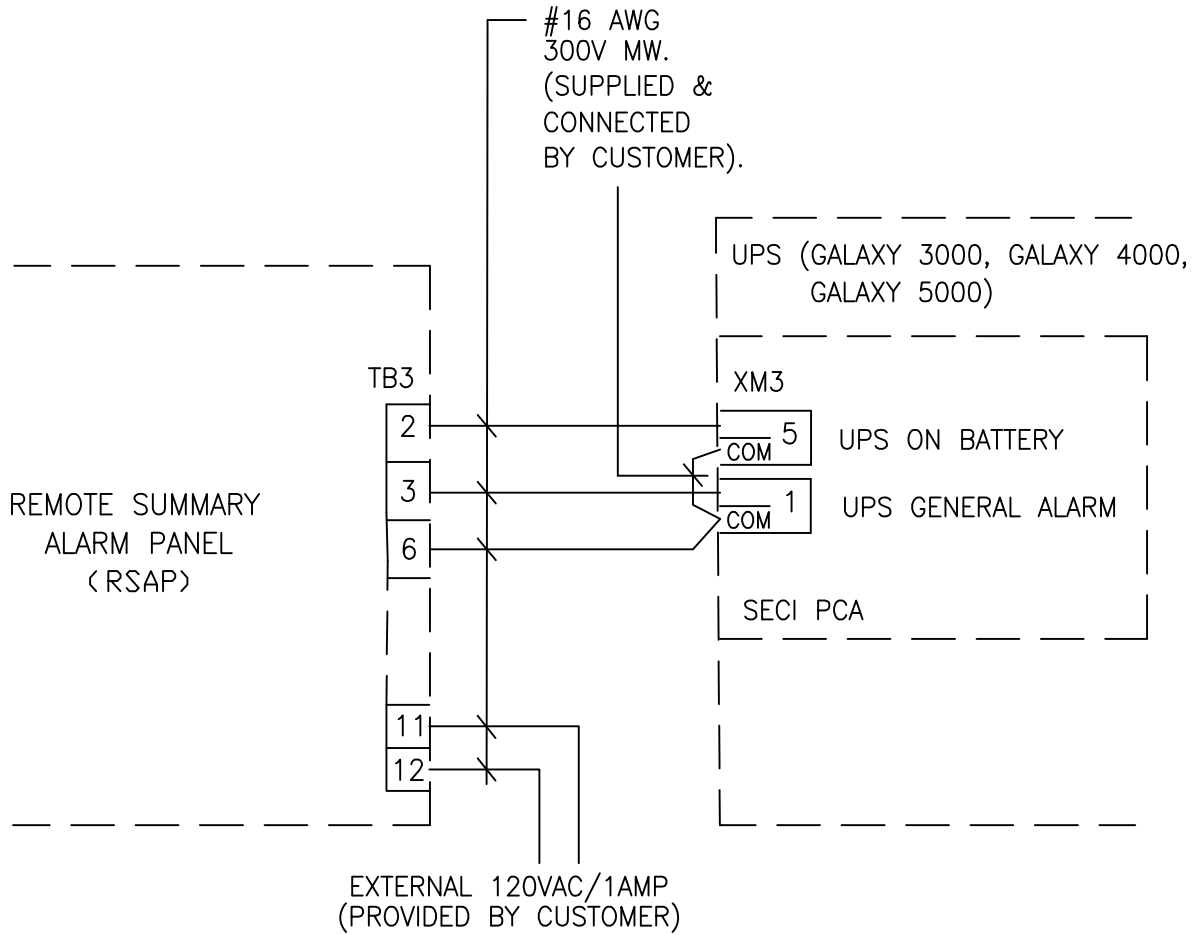


EPS-3000/COMET INTERCONNECTION DIAGRAM

NOTES:

1. WHEN USING A SECOND REMOTE PANEL (RSAP), USE SAME WIRING AS SHOWN ON INTERCONNECT DIAGRAM.

SIZE	CAGE CODE	DWG NO.	REV.
A	9L985	90-133058-00	C00
SCALE	NONE	CAD	SHEET 5



GALAXY 3000, GALAXY 4000, GALAXY 5000 INTERCONNECTION DIAGRAM

NOTES:

1. WHEN USING A SECOND REMOTE PANEL (RSAP), USE SAME WIRING ALSO AS SHOWN ON INTERCONNECT DIAGRAM.

SIZE	CAGE CODE	DWG NO.	REV.
A	9L985	90-133058-00	C00
SCALE	NONE	CAD	SHEET 6