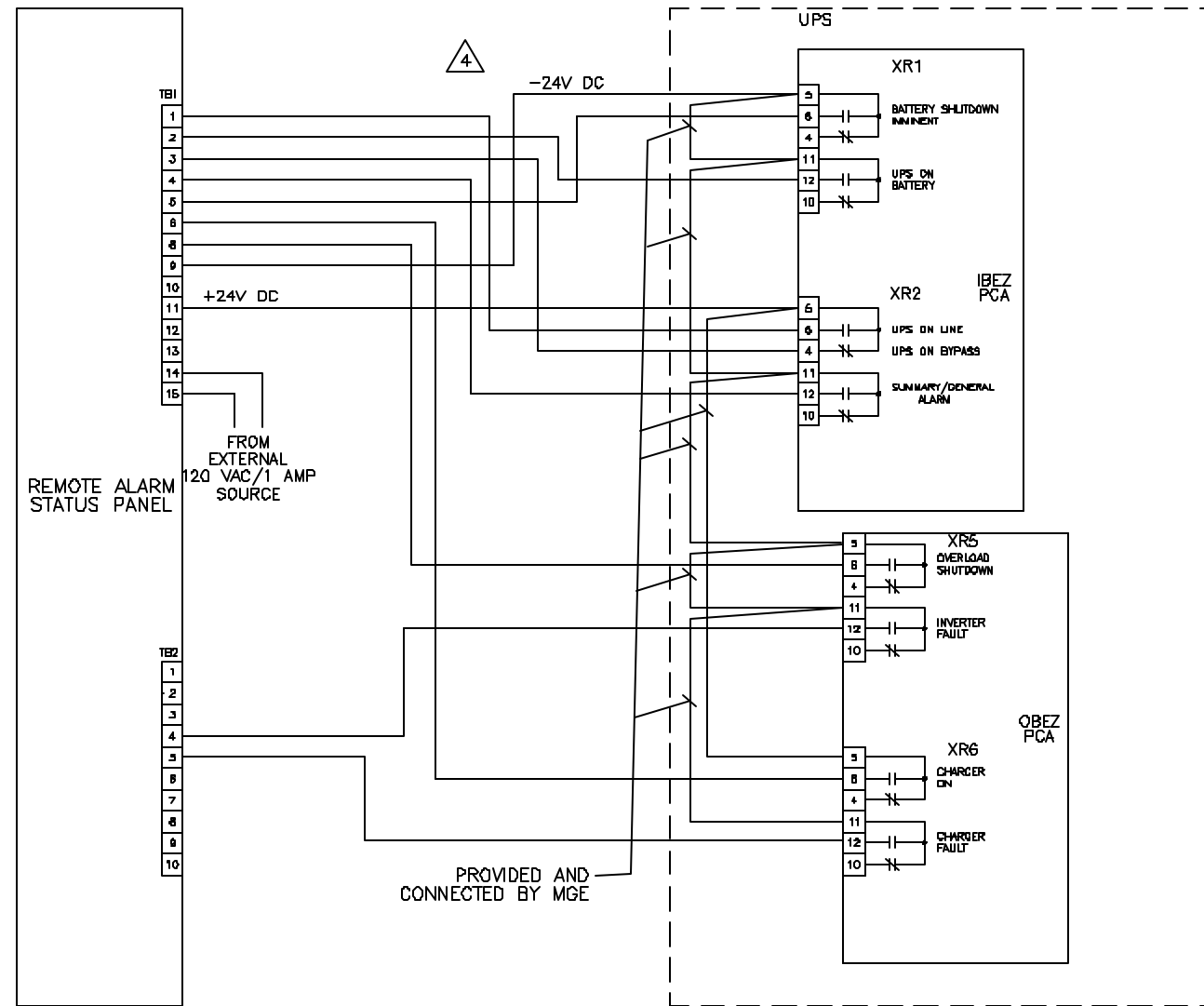
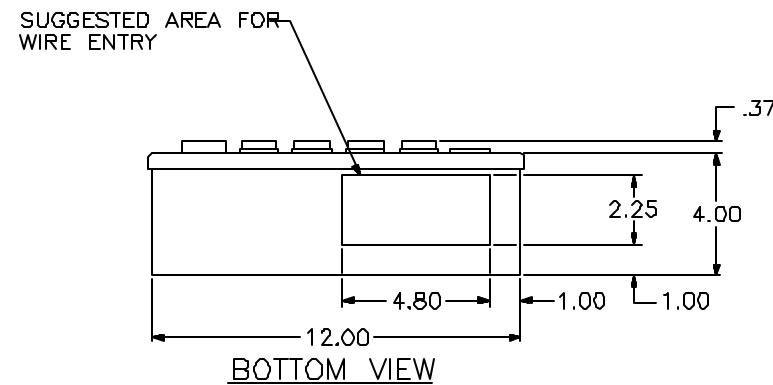
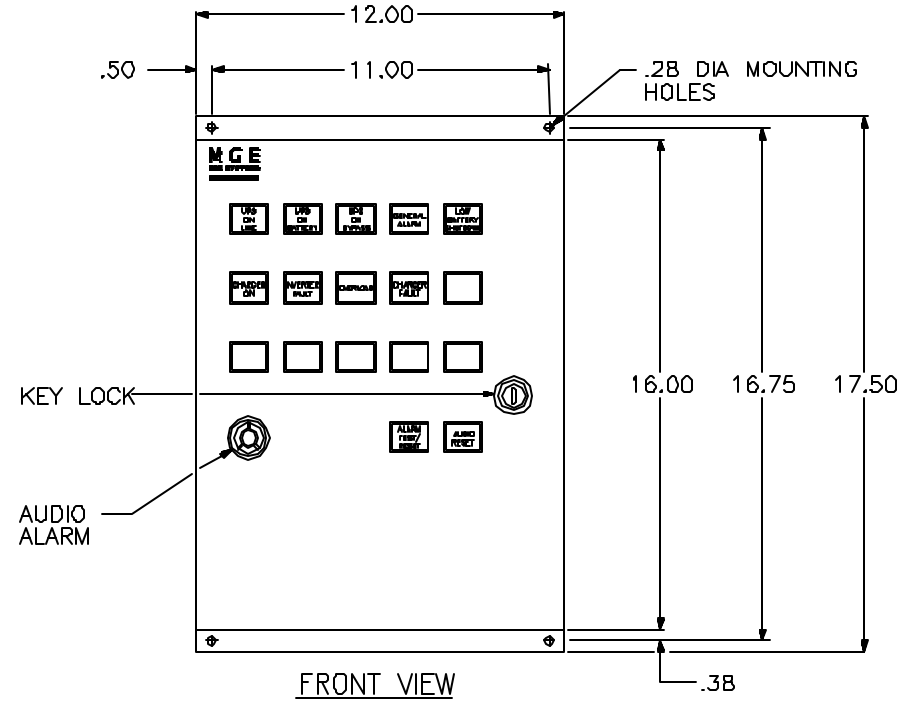


MGE UPS SYSTEMS, INC. CLAIMS PROPRIETARY RIGHTS IN THE MATERIAL DISCLOSED HEREIN. THIS DOCUMENT IS ISSUED FOR ENGINEERING INFORMATION ONLY. IT MAY NOT BE DISCLOSED TO OTHERS NOR MAY IT BE USED FOR MANUFACTURING PURPOSES WITHOUT WRITTEN PERMISSION FROM MGE UPS SYSTEMS, INC.

| REVISIONS |                                  |          |          |
|-----------|----------------------------------|----------|----------|
| REV       | DESCRIPTION                      | DATE     | APPROVED |
| D00       | REVISED PER ECN # 277-23         | 11/28/95 | BK       |
| E00       | CHANGED SUMMARY TO GENERAL ALARM | 06/26/07 | SD       |
| F00       | ADD PARALLEL RASP ECN# 006124    | 09/12/08 | M.ANV    |

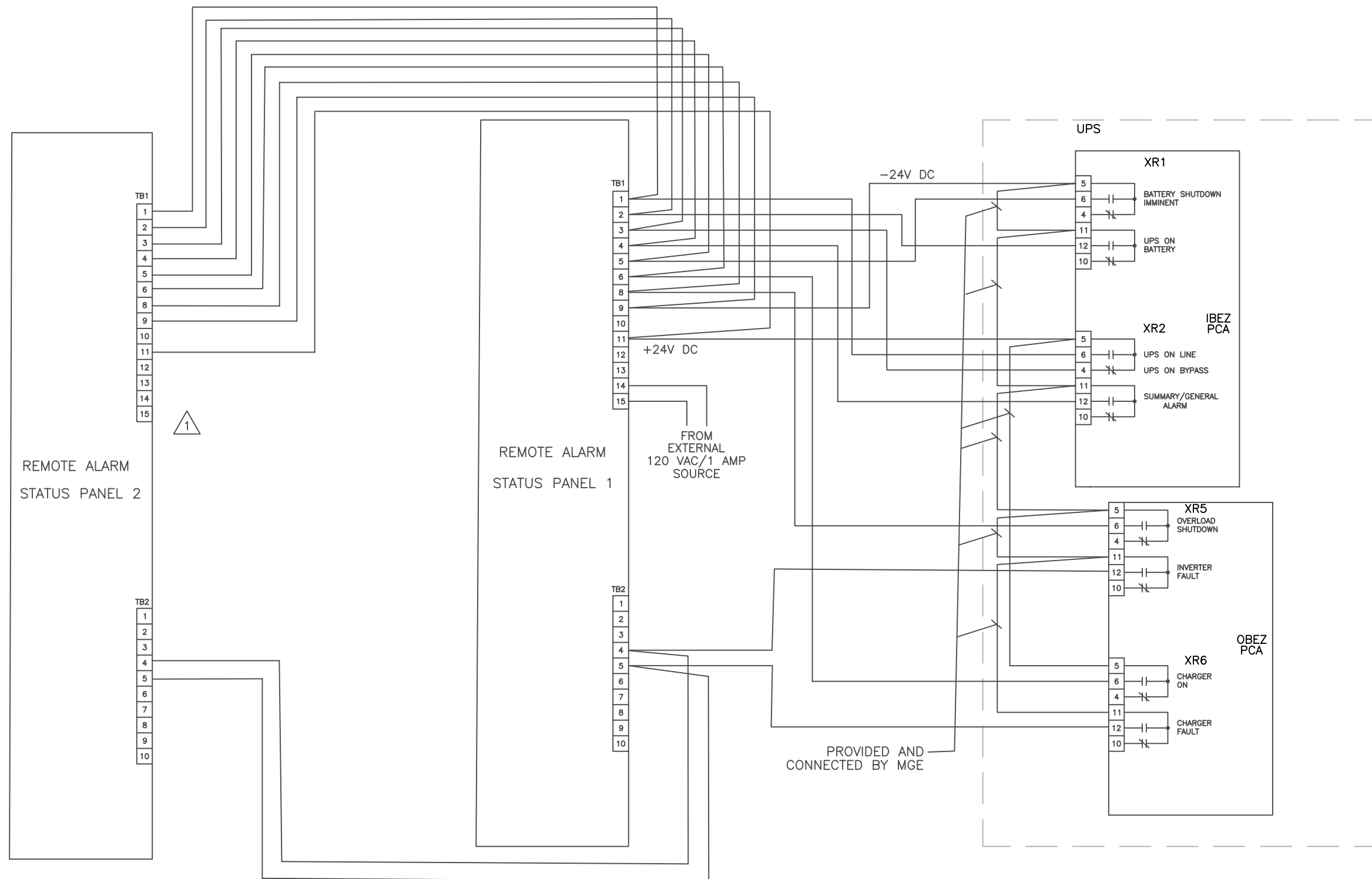


INTERCONNECTION DIAGRAM

NOTES: UNLESS OTHERWISE SPECIFIED

- REFER TO UPS INSTALLATION DRAWING FOR LOCATION OF IBEZ & OBEZ PCA INSIDE THE UPS.
- COLOR: MGE MED GRAY.
- APPROXIMATE WEIGHT: 30 LBS.
- ALL INTERCONNECT WIRES AND JUMPERS TO BE #16 AWG STRANDED TINNED COPPER WIRE, PROVIDED AND CONNECTED BY CUSTOMER.
- THE OPEN CONTACTS SHOWN, CLOSE TO ANNUNCIATE THE STATED STATUS CONDITIONS.
- UNLESS OTHERWISE SPECIFIED ALL DIMENSIONS ARE TO THE OUTSIDE EDGE OF ENCLOSURE, EXCLUDING HARDWARE, SWITCH HANDLES,

|  |  |                      |  |  |                 |
|--|--|----------------------|--|--|-----------------|
| UNLESS OTHERWISE SPECIFIED DIMENSIONS ARE IN INCHES AND [MILLIMETERS]. TOLERANCES ARE:<br>DECIMALS [MILLIMETERS]<br>.X=± X.± 0<br>.XX=± X.± 0<br>.XXX=± XX=± 0 |  | CONTRACT NO.         |  | <b>MGE</b><br>UPS SYSTEMS<br>MGE UPS Systems, Inc.<br>1660 Scenic Avenue<br>Costa Mesa, CA. 92626 U.S.A. |                 |
| APPROVALS  |  | DATE                 |  | INSTALLATION & OUTLINE DRAWING   |                 |
| DRAWN RUDY RANGEL  |  | 10/13/93             |  | REMOTE ALARM STATUS PANEL (RASP)   |                 |
| CHECKED B.N  |  | 9/10/08              |  | SURFACE MOUNT EPS 6000   |                 |
| ISSUED M.ANV   |  | 09/12/06             |  | SIZE B   | CAGE CODE 9L985 |
| FINISH   |  | DO NOT SCALE DRAWING |  | DWG NO. 90-130142-00   | REV. F00        |
|  |  |                      |  | SCALE NONE   | SHEET 1 OF 2    |



PARALLEL CONNECTION DIAGRAM

△ EXTERNAL 120VAC/1 AMP SOURCE NOT REQUIRED FOR RASP 2 .