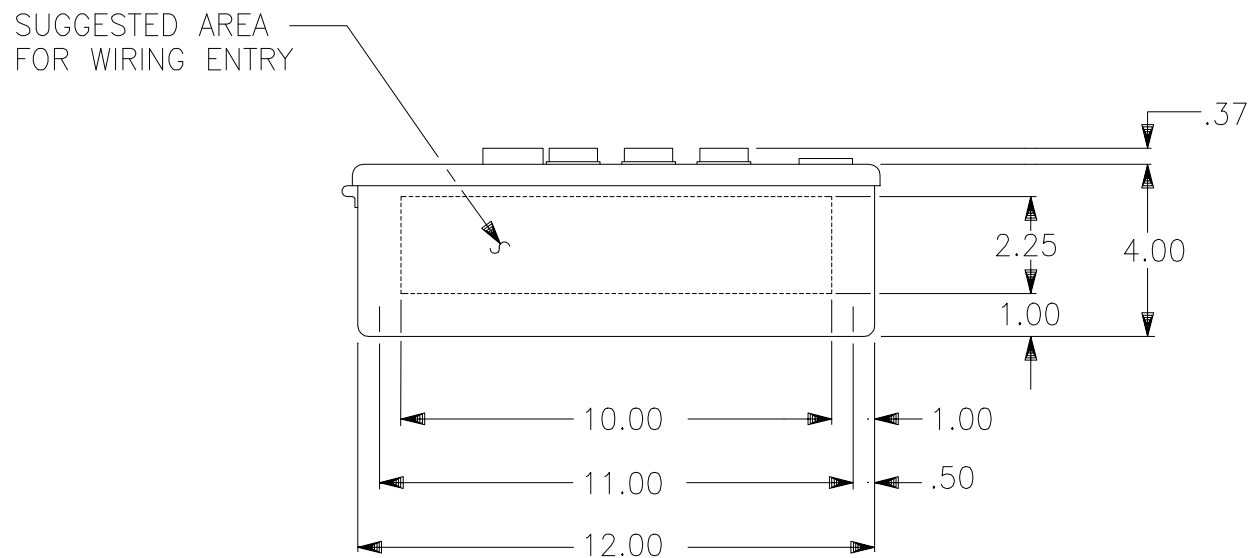
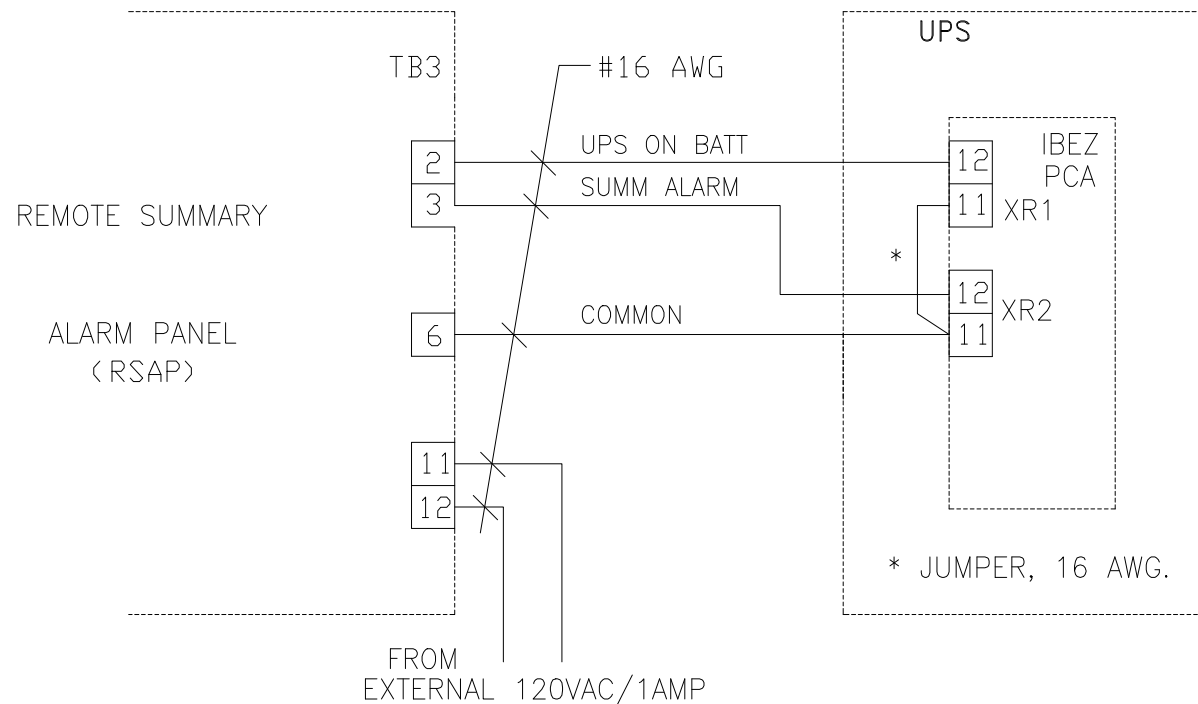
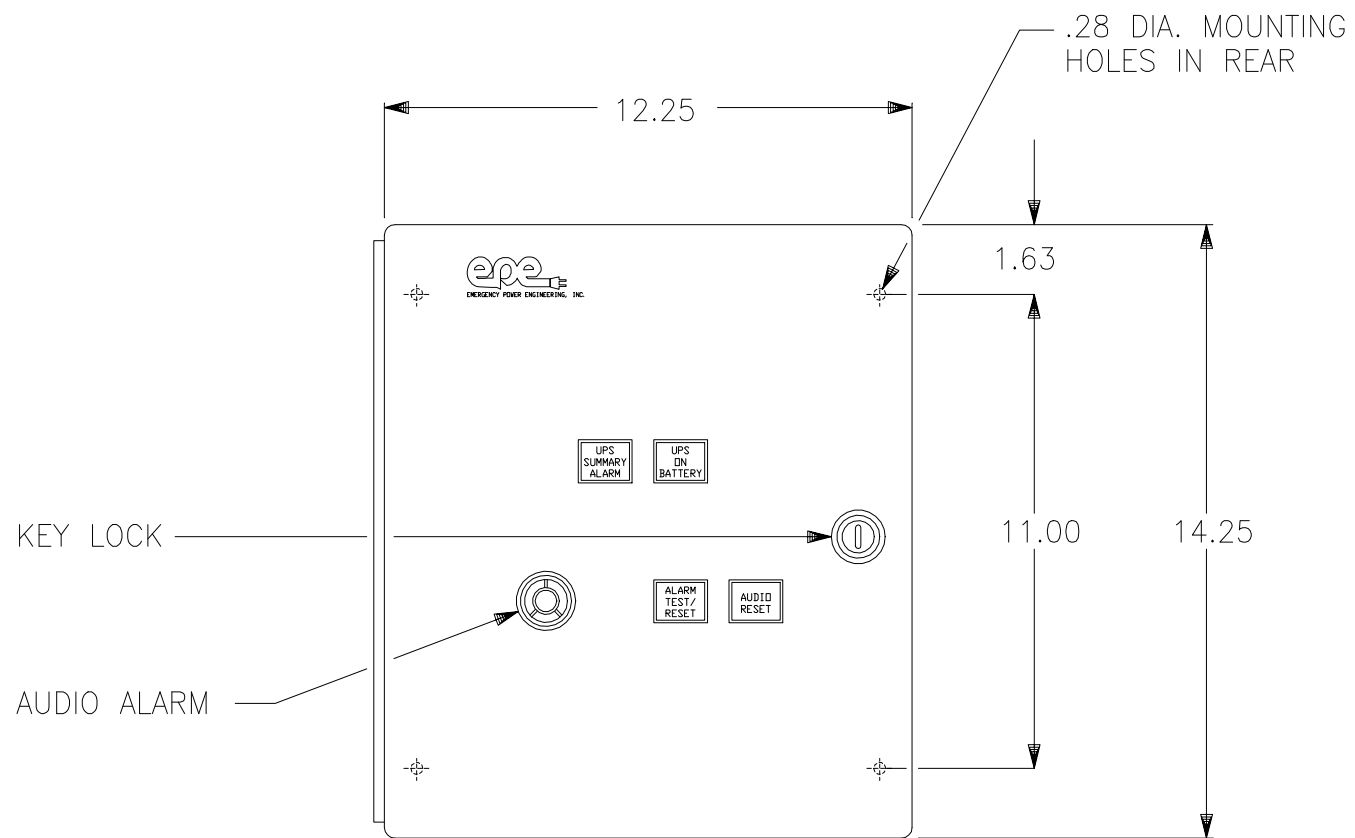


EPE TECHNOLOGIES, INC. (EPE) CLAIMS PROPRIETARY RIGHTS IN THE MATERIAL DISCLOSED HEREON. THIS DOCUMENT IS ISSUED FOR ENGINEERING INFORMATION ONLY. IT MAY NOT BE DISCLOSED TO OTHERS NOR MAY IT BE USED FOR MANUFACTURING PURPOSES WITHOUT WRITTEN PERMISSION FROM EPE.


REVISIONS				
ZONE	REV.	DESCRIPTION	DATE	APPROVED
	A00	NEW RELEASE PER ECN #252-59	9/15/93	LNA
	A01	REVISED PER ECN #254-35		RR



BOTTOM VIEW

NOTES:

1. UNLESS OTHERWISE SPECIFIED ALL DIMENSIONS ARE TO THE OUTSIDE EDGE OF ENCLOSURE, EXCLUDING HARDWARE, SWITCH HANDLES, LOCKS, KEYS, ETC.
2. COLOR: EPE MED GRAY.
3. APPROXIMATE WEIGHT: 20 LBS.
4. REFER TO UPS INSTALLATION DWG. FOR LOCATION OF IBEZ PCA.
5. ALL WIRING SHOWN ARE PROVIDED AND INSTALLED BY CUSTOMER.

UNLESS OTHERWISE SPECIFIED DIMENSIONS ARE IN INCHES TOLERANCES ARE: DECIMALS .XX± .03 .XXX± .010	CONTRACT NO.		 EPE TECHNOLOGIES, INC. A subsidiary of Square D Company 1660 SCENIC AVENUE COSTA MESA, CALIFORNIA 92626			
	APPROVALS	DATE				
	MATERIAL	DRAWN <i>RUDY RANGEL</i>	9/13/93	INSTALLATION & OUTLINE DRAWING REMOTE SUMMARY ALARM PANEL (RSAP) SURFACE MOUNT EPS 6000		
	FINISH	CHECKED <i>LNA</i>	9/15/93			
	ISSUED <i>D.A.N.</i>	9/15/93	SIZE B	FSCM NO. 9L985	DWG. NO. 90-130141-00	REV. A01
			SCALE NONE	CAD FILE: 13014101	SHEET 1 of 1	