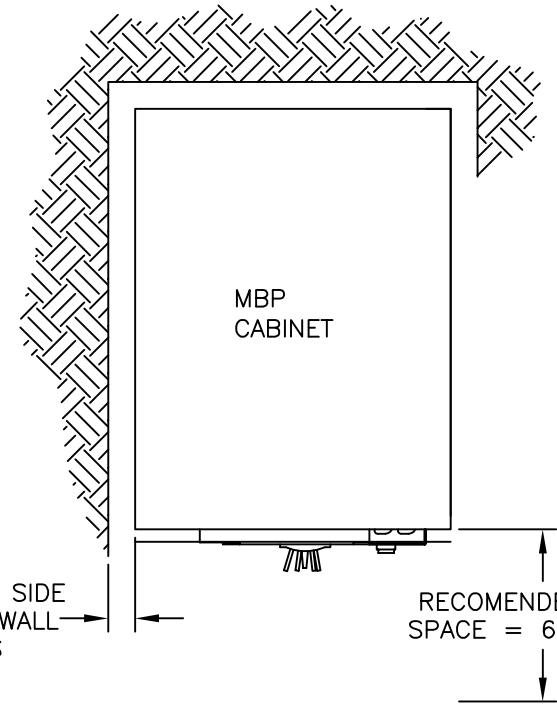
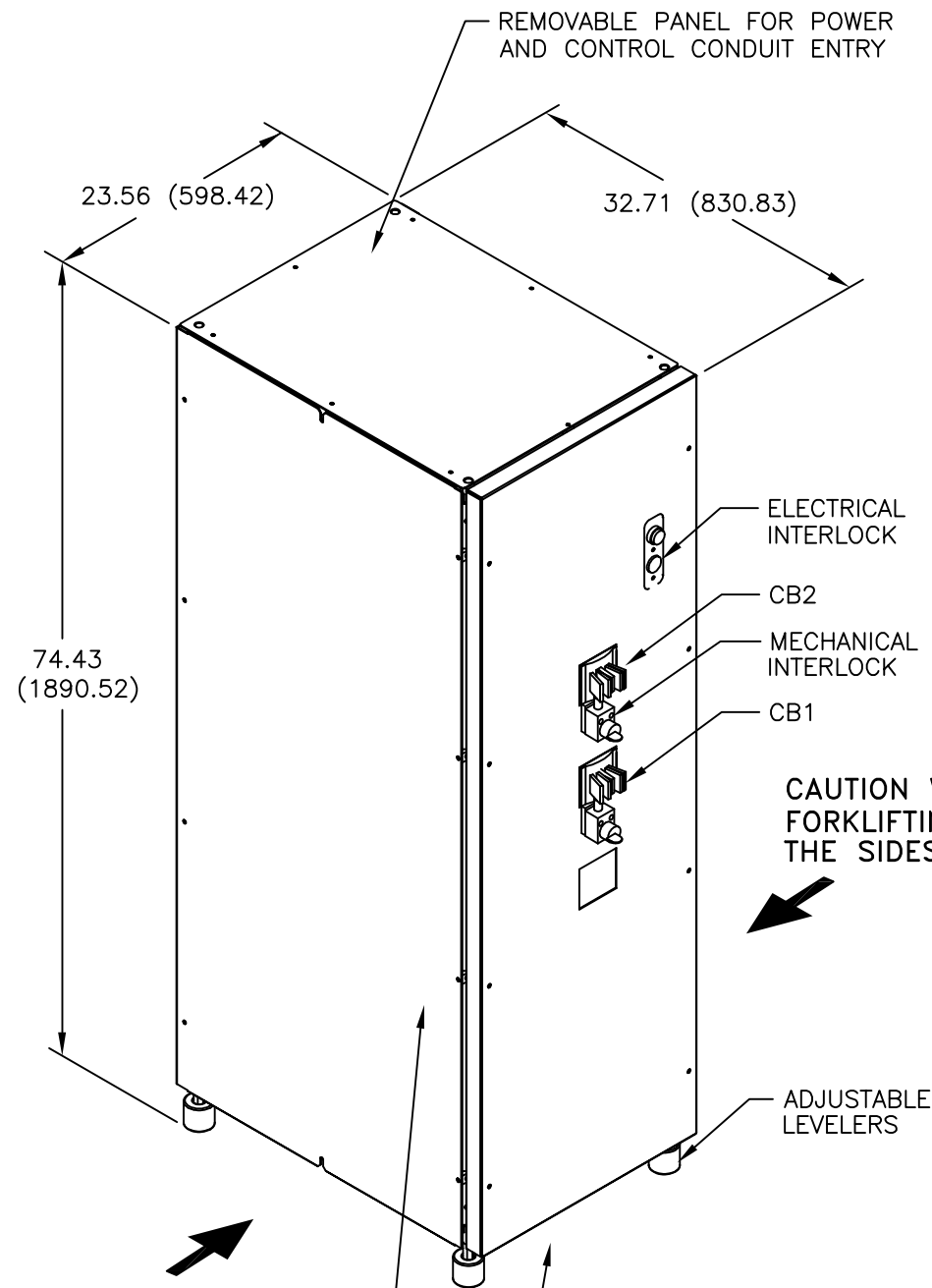


MGE UPS SYSTEMS, INC. CLAIMS PROPRIETARY RIGHTS IN THE MATERIAL DISCLOSED HEREIN. THIS DOCUMENT IS ISSUED FOR ENGINEERING INFORMATION ONLY. IT MAY NOT BE DISCLOSED TO OTHERS NOR MAY IT BE USED FOR MANUFACTURING PURPOSES WITHOUT WRITTEN PERMISSION FROM MGE UPS SYSTEMS, INC.

REVISIONS			
REV	DESCRIPTION	DATE	APPROVED
A00	NEW RELEASE ECN-003480	07/23/03	LPG
A01	REVISED PER ECN-005145.	02/14/07	S.DAS/YP



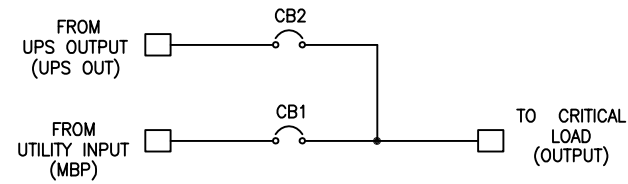
1. DIMENSIONING FORMAT IS INCHES (mm).
2. A PHILIPS SCREWDRIVER IS REQUIRED TO REMOVE EXTERNAL PANELS.
3. COLOR: MGE LIGHT GRAY (RAL9002).
4. OPERATING TEMPERATURE: 32°F(0°C) MIN. TO 95°F(35°C) MAX. RECOMMENDED OPERATING RANGE: 6°F(-14.4°C) MIN. TO 77°F(25°C) MAX.
5. AIR EXHAUST: NEGLIGIBLE.
6. HEAT GENERATED: NEGLIGIBLE.
7. REFER TO MGE DOCUMENT NO. 9-00038-00 FOR CABLE PREPARATION PROCEDURE FOR FIELD.
8. WEIGHT: 451 LBS (205KG),
9. UNLESS OTHERWISE SPECIFIED. ALL DIMENSIONS ARE TO THE OUTSIDE EDGE OF ENCLOSURE, EXCLUDING HARDWARE, LOCKS, KEYS, CB HANDLE, ETC.
10. AVAILABLE RATING: 350A, REF ASSY: 72-133110-31 AND -41

NOTES: UNLESS OTHERWISE SPECIFIED

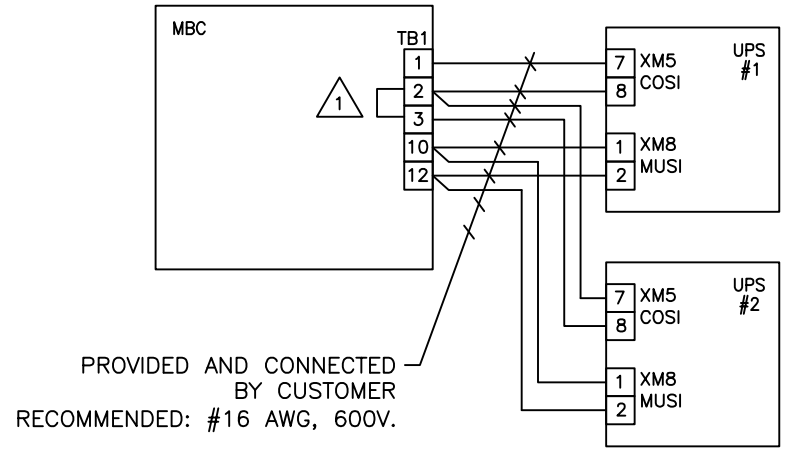
CAUTION WHEN FORKLIFTING FROM THE SIDES, MBP CABINET IS FRONT HEAVY.

CAUTION WHEN FORKLIFTING FROM THE SIDES
 REMOVABLE SIDE AND REAR PANEL
 AIR INTAKE COVERS (FRONT & REAR) REMOVED DURING SHIPPING

UNLESS OTHERWISE SPECIFIED DIMENSIONS ARE IN INCHES AND [MILLIMETERS]. TOLERANCES ARE: DECIMALS [MILLIMETERS] .X=± .1 X=± .XX=± .03 X=± .XXX=± .XX=± ANGLES ± MATERIAL	CONTRACT NO.		MGE UPS SYSTEMS MGE UPS Systems, Inc. 1660 Scenic Avenue Costa Mesa, CA. 92626 U.S.A.	
	APPROVALS	DATE	INSTALLATION DRAWING MBC 2-MODULE PARALLEL 100 TO 225KVA GALAXY PW	
	DRAWN H.DINH	06/26/02		
	CHECKED LPG	06/26/02		
FINISH	ISSUED LNA	06/26/02	SIZE B CAGE CODE 9L985 DWG NO. 90-133056-01 REV. A01	
DO NOT SCALE DRAWING			SCALE NONE	CAD 90-133056-01SH1 SHEET 1 OF 2

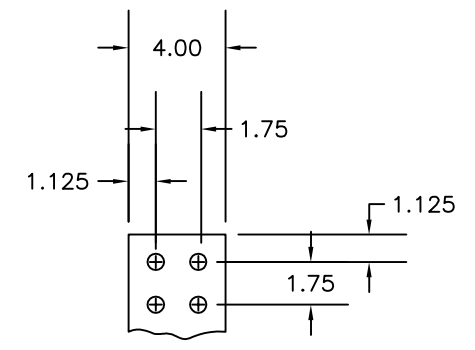


SINGLE LINE DIAGRAM
TEXT IN PARENTHESIS REFERS TO TERMINAL LABEL

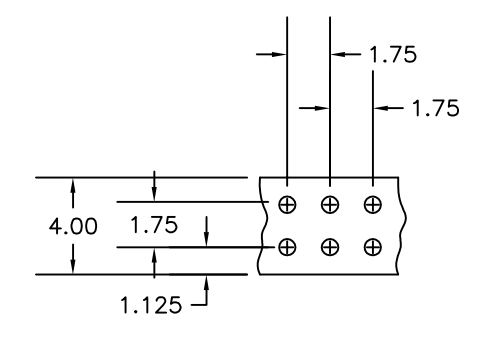


PROVIDED AND CONNECTED BY CUSTOMER
RECOMMENDED: #16 AWG, 600V.

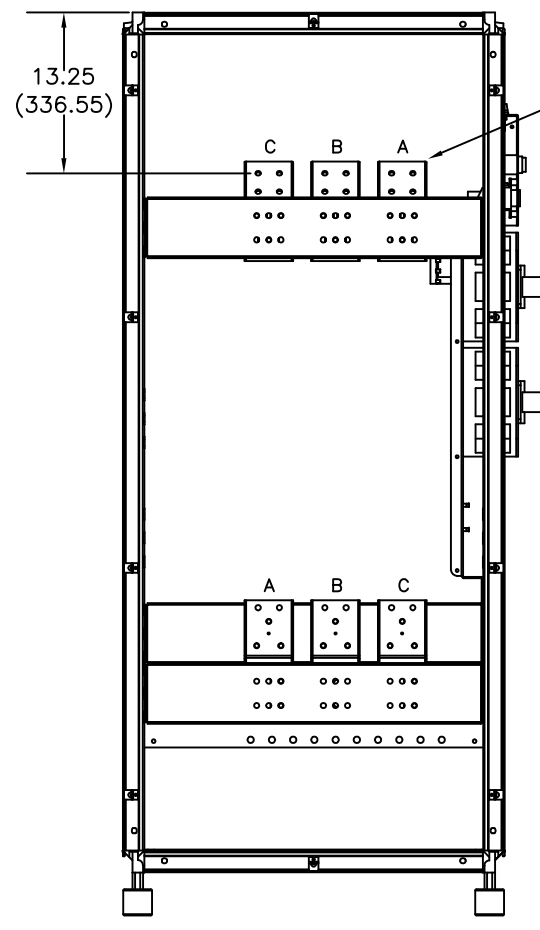
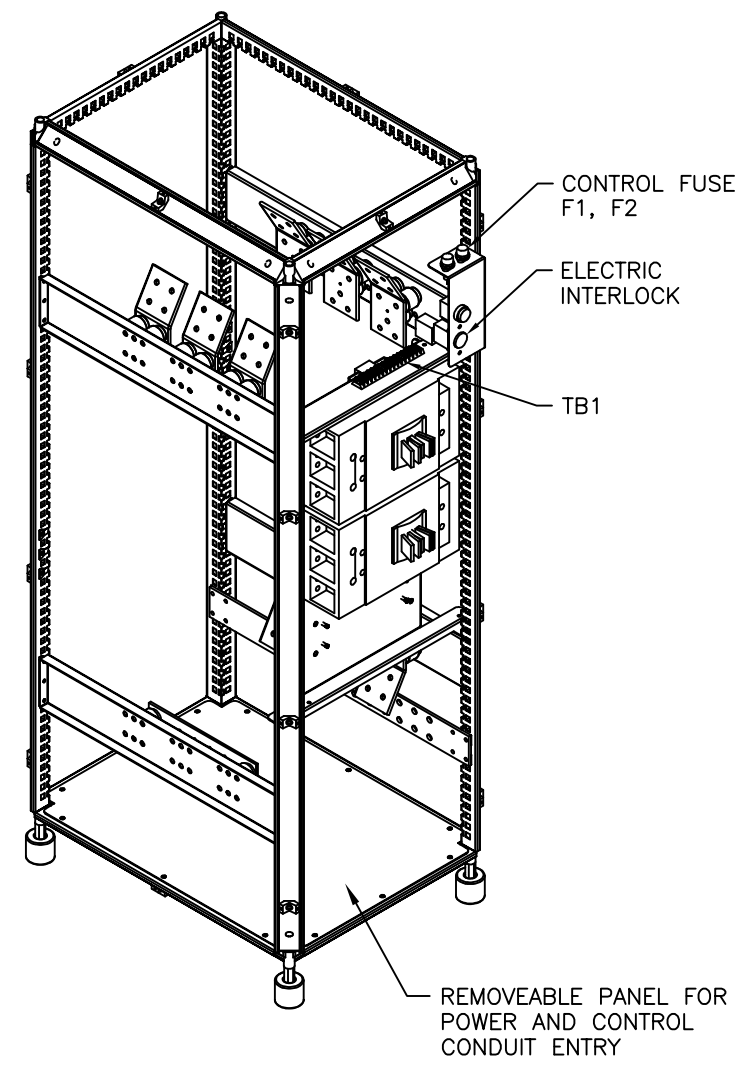
CONTROL CONNECTION



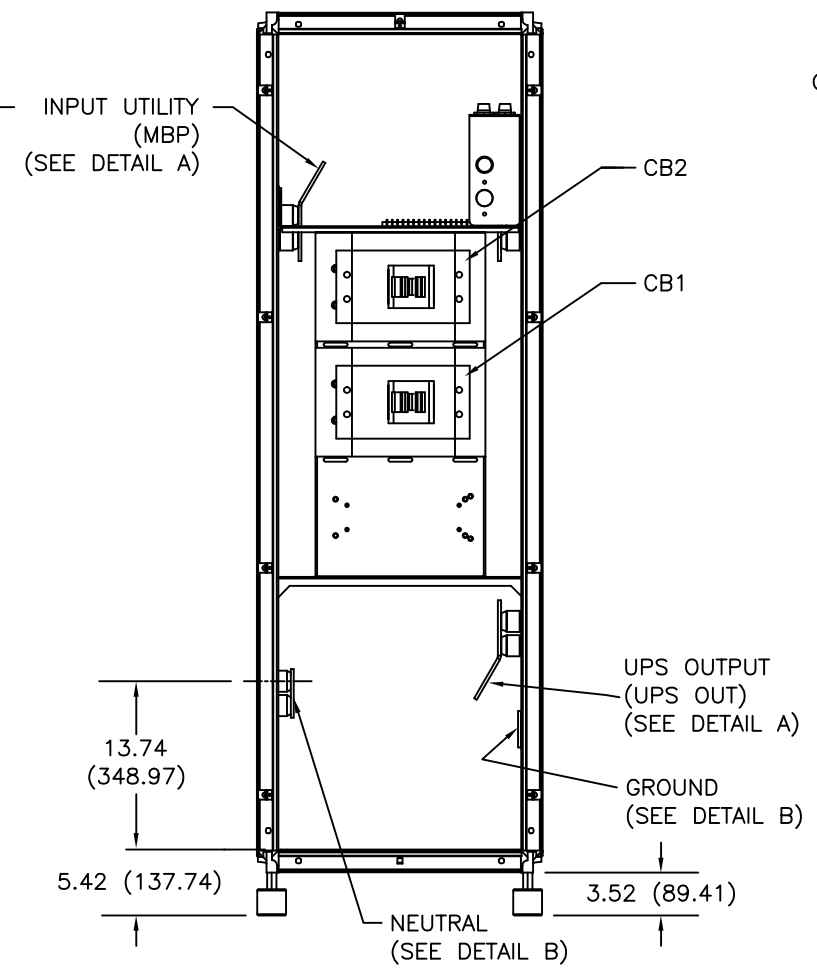
BUSBAR CONNECTION (DETAIL A)



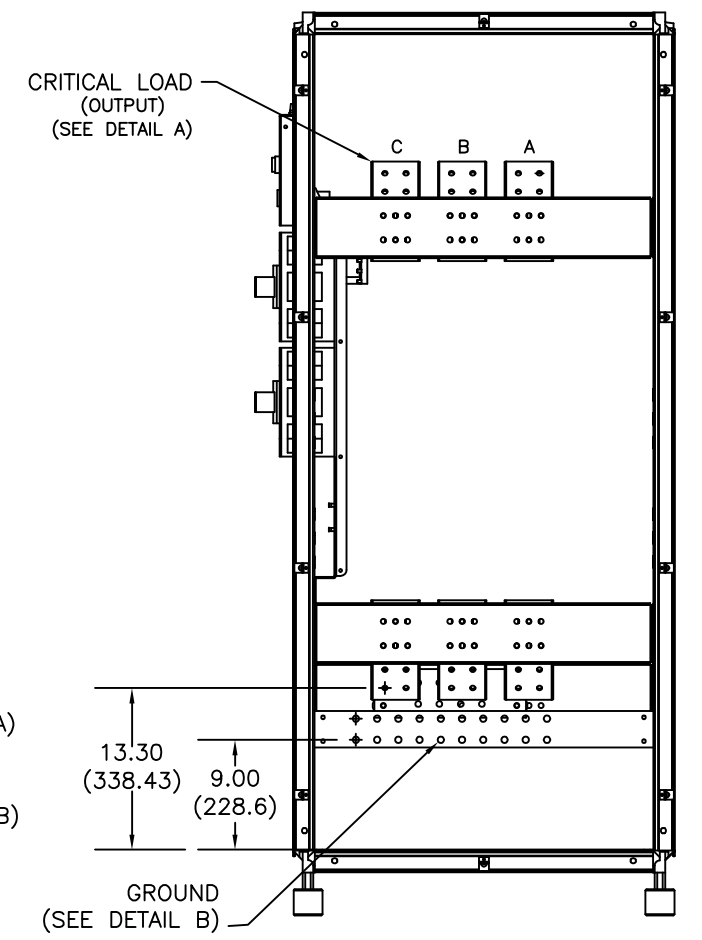
NEUTRAL & GROUND CONNECTION (DETAIL B)



LEFT SIDE VIEW



FRONT VIEW



RIGHT SIDE VIEW

1 REMOVE THIS JUMPER WHEN UPS 2 IS CONNECTED.

NOTES: UNLESS OTHERWISE SPECIFIED

SIZE	CAGE CODE	DWG NO.	REV.
B	9L985	90-133056-01	A01
SCALE	NONE	CAD	SHEET 2