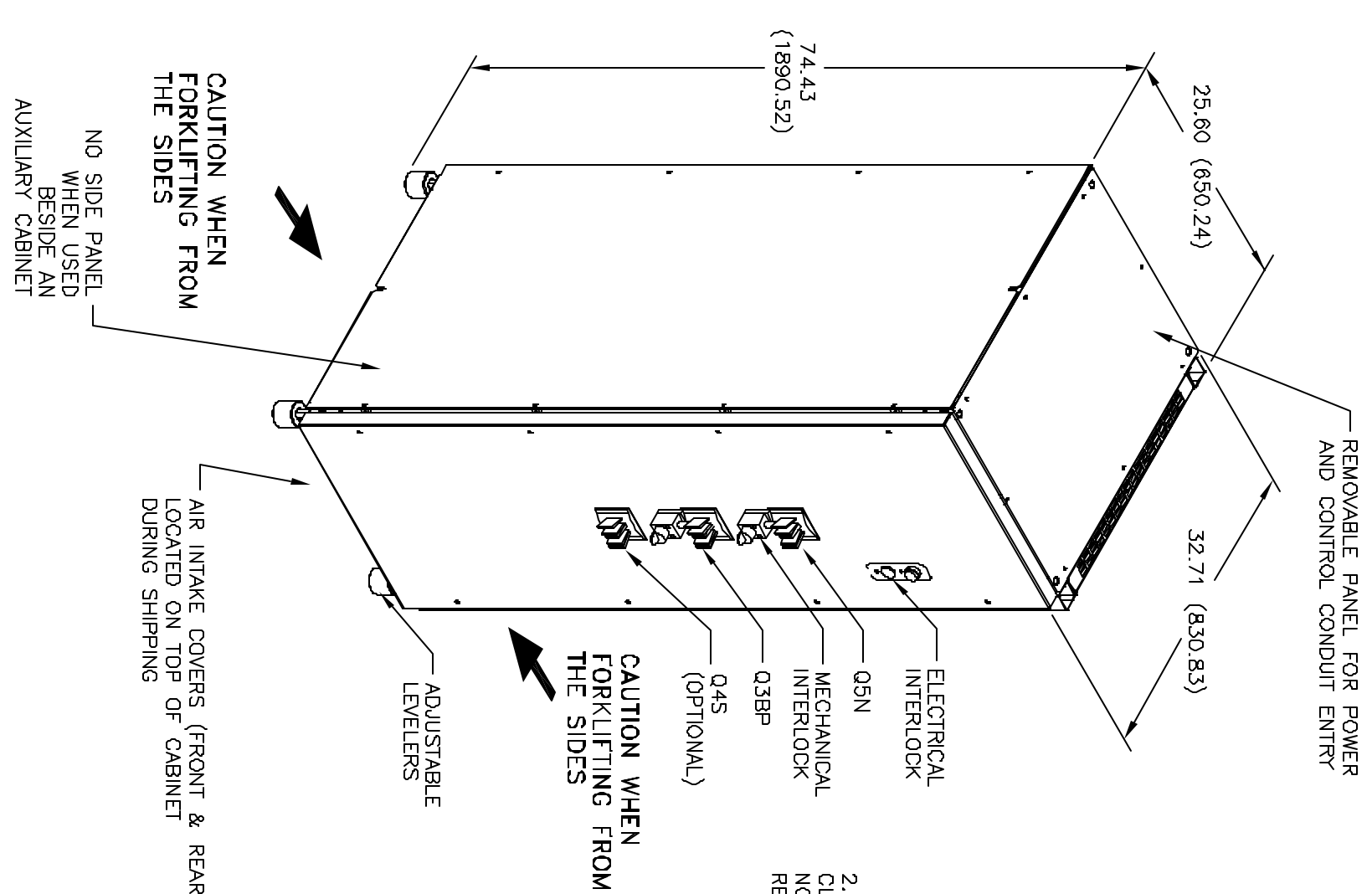
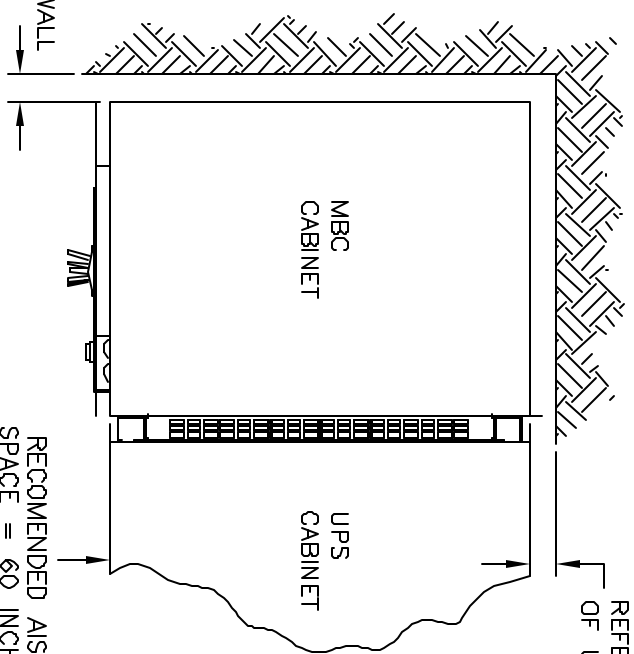


MGE UPS SYSTEMS, INC. CLAIMS PROPRIETARY RIGHTS IN THE MATERIAL DISCLOSED HEREIN. THIS DOCUMENT IS ISSUED FOR ENGINEERING INFORMATION ONLY. IT MAY NOT BE DISCLOSED TO OTHERS NOR MAY IT BE USED FOR MANUFACTURING PURPOSES WITHOUT WRITTEN PERMISSION FROM MGE UPS SYSTEMS, INC.



2.00 MIN. RECD. CLEARANCE, TO WALL NO SIDE ACCESS REQUIRED



CAUTION WHEN FORKLIFTING FROM THE SIDES, MBP CABINET IS FRONT HEAVY.

1. DIMENSIONING FORMAT IS INCHES (mm).
 2. A PHILIPS SCREWDRIVER IS REQUIRED TO REMOVE EXTERNAL PANELS.
 3. COLOR: MGE LIGHT GRAY (RAL9002).
 4. OPERATING TEMPERATURE: 32°F(0°C) MIN. TO 95°F(35°C) MAX. RECOMMENDED OPERATING RANGE: 61°F(-14.4°C) MIN. TO 77°F(25°C) MAX.
 5. AIR EXHAUST: NEGLIGIBLE.
 6. HEAT GENERATED: NEGLIGIBLE.
 7. REFER TO MGE DOCUMENT NO. 9-00038-00 FOR CABLE PREPARATION PROCEDURE FOR FIELD.
 8. WEIGHT: 451 LBS (205KG).
 9. ALL EXTERNAL WIRING SUPPLIED AND CONNECTED BY CUSTOMER. REFER TO THE SYSTEM INSTALLATION DWG. FOR MORE DETAILS.
 10. UNLESS OTHERWISE SPECIFIED. ALL DIMENSIONS ARE TO THE OUTSIDE EDGE OF ENCLOSURE, EXCLUDING HARDWARE, LOCKS, KEYS, CB HANDLE, ETC.
 11. AVAILABLE RATING: 350A, REF ASSY: 72-133110-01 AND -21
- NOTES: UNLESS OTHERWISE SPECIFIED

UNLESS OTHERWISE SPECIFIED DIMENSIONS ARE IN INCHES AND [MILLIMETERS], TOLERANCES ARE:
 ANGLES ±
 MATERIAL
 FINISH

CONTRACT NO.		APPROVALS	
DRAWN	H.DINH	DATE	06/26/02
CHECKED	LPG	DATE	06/26/02
ISSUED	LNA	DATE	06/26/02

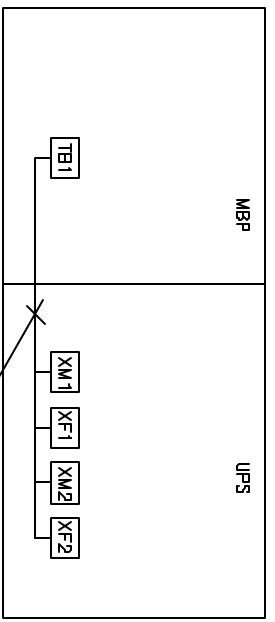
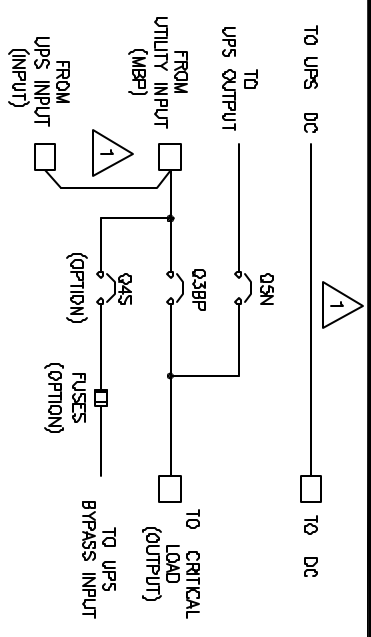
MGE UPS Systems, Inc.
 1660 Seatic Avenue
 Costa Mesa, CA. 92626 U.S.A.

INSTALLATION DRAWING
 MBC, ATTACHED SGL MOD
 100 TO 225KVA GALAXY PW

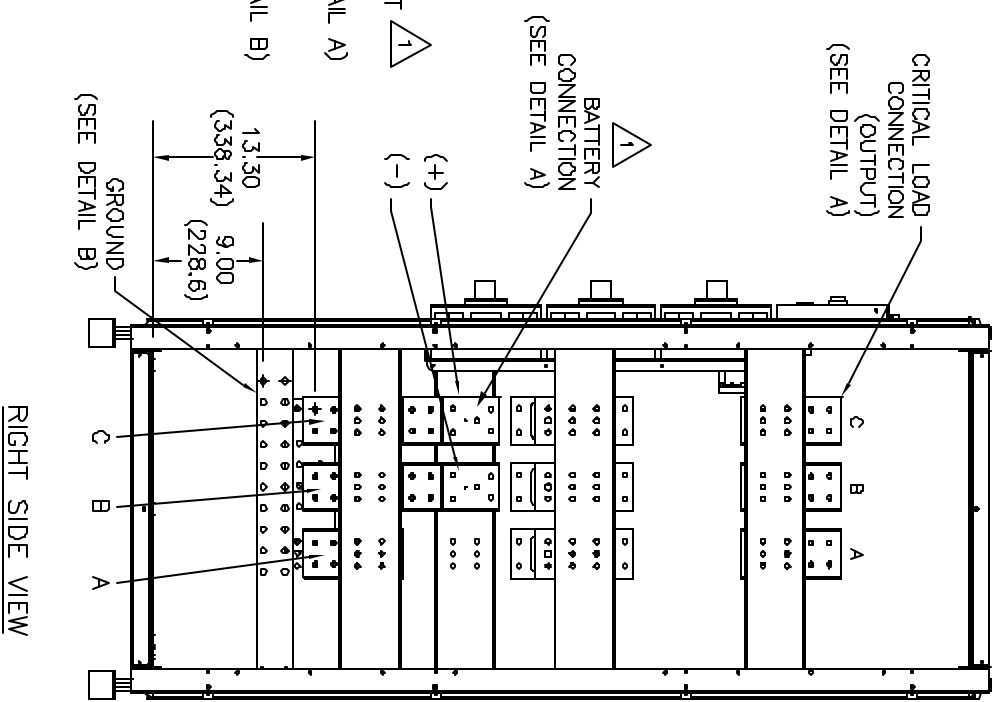
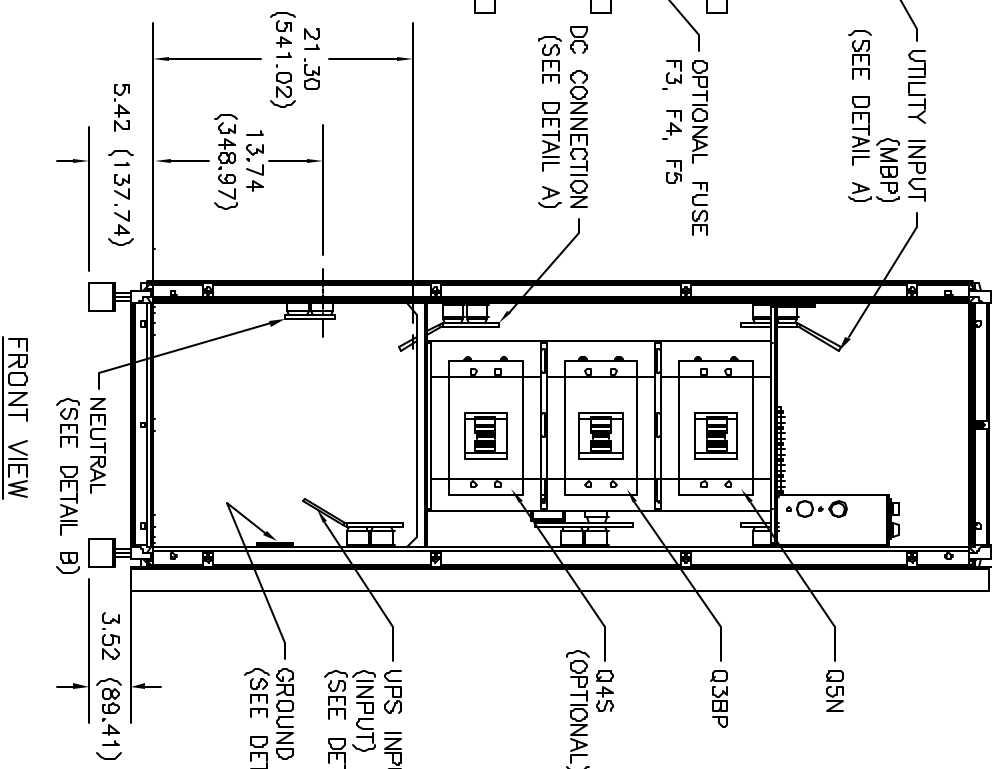
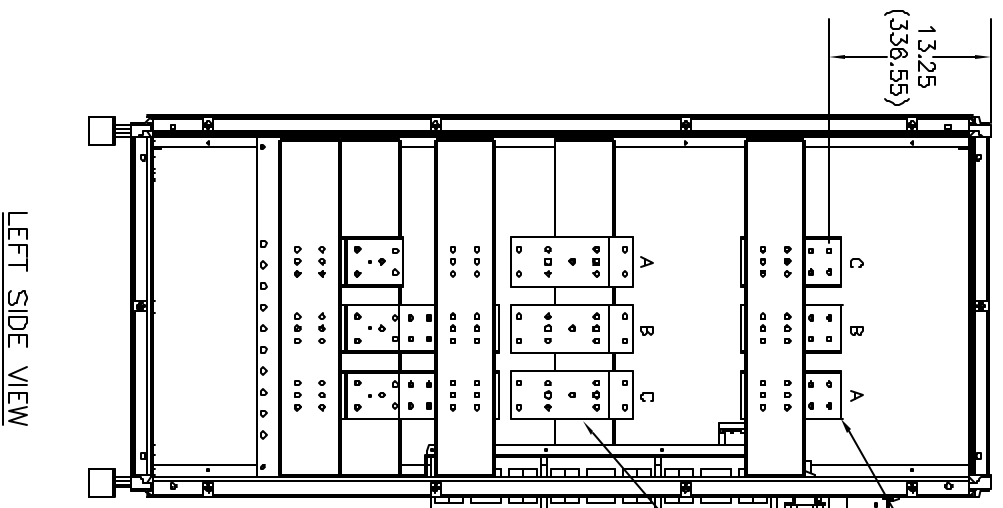
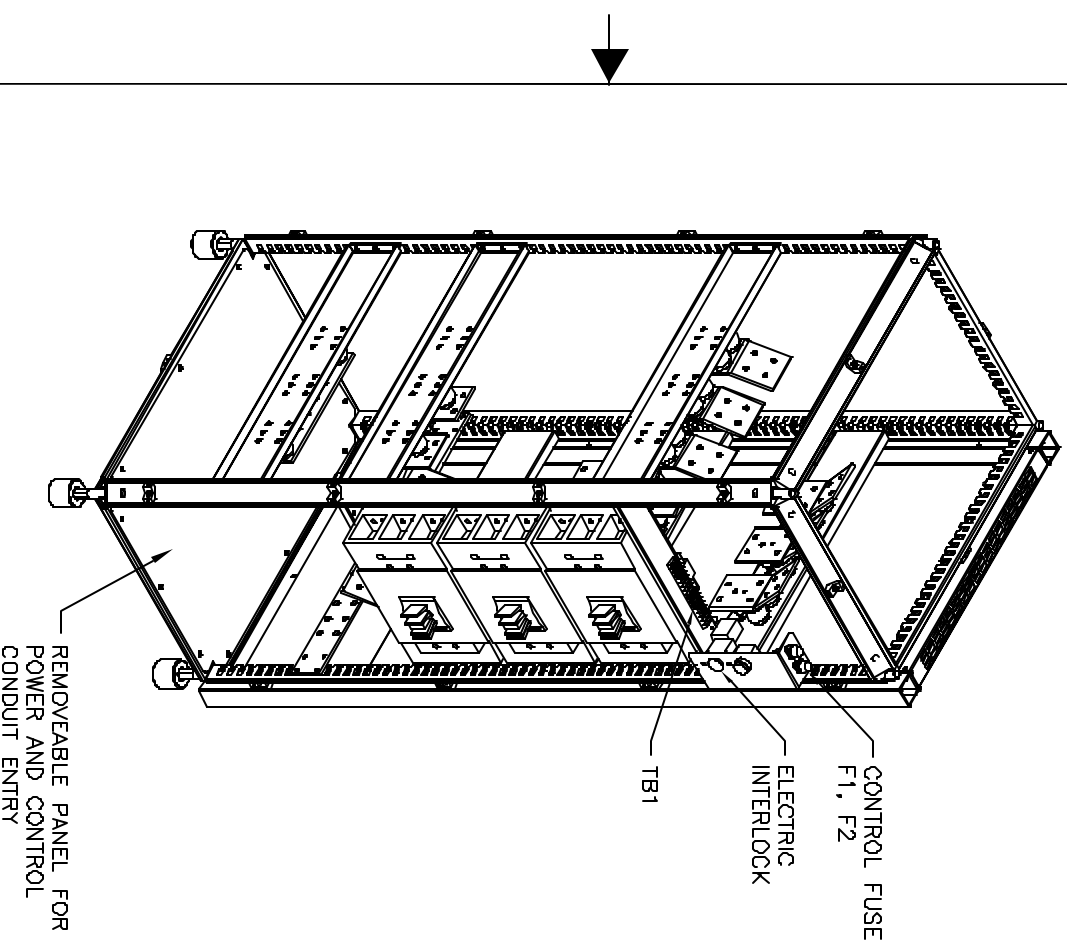
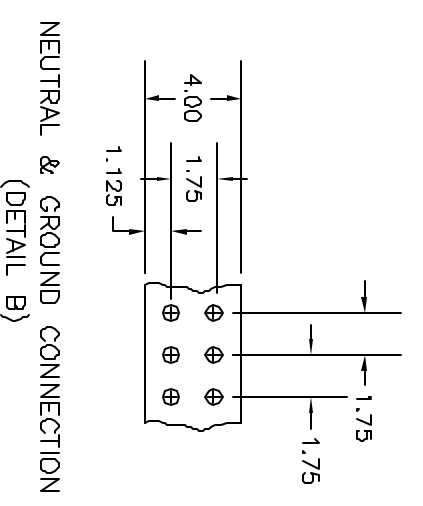
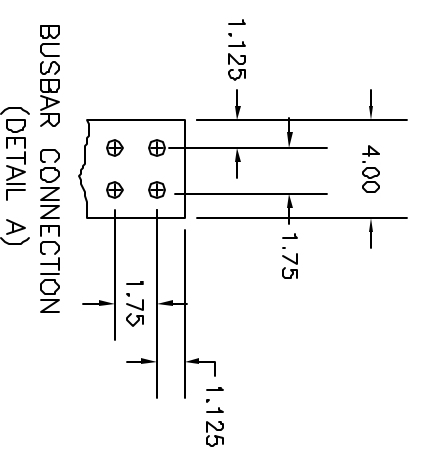
SIZE: **B** CAGE CODE: **9L985** DWG NO.: **90-133056-00** REV.: **A00**
 SCALE: NONE CAD: 90-133056-00 SH1 SHEET: 1 of 2

REVISIONS			
REV	DESCRIPTION	DATE	APPROVED
A00	NEW RELEASE	7/23/03	LPG

DWG NO. 90-133056-00 SH 1 REV. A00



CONTROL WIRING PROVIDED BY MGE, INSTALLED BY CUSTOMER



1 REFER TO INSTALLATION DWG. NO. 90-133061-XX FOR AVAILABILITY.

NOTES: UNLESS OTHERWISE SPECIFIED

SIZE	CAGE CODE	DWG NO.	REV.
B	9L985	90-133056-00	A00
SCALE	NONE	CAD	SHEET 2