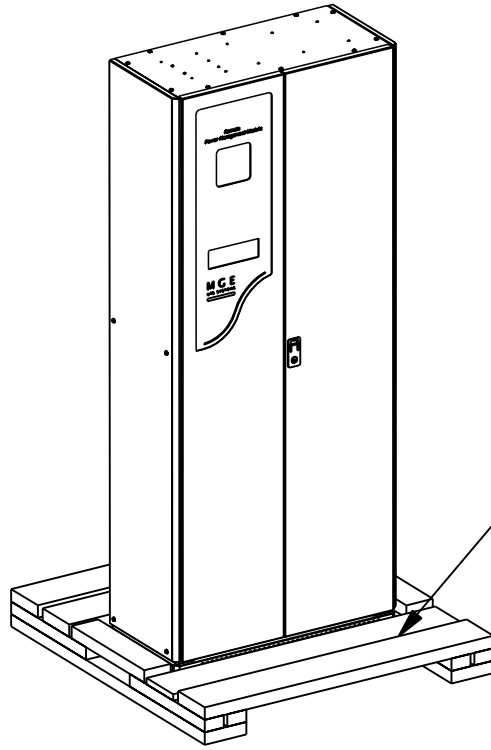


MGE UPS SYSTEMS, INC. (MGE) CLAIMS PROPRIETARY RIGHTS IN THE MATERIAL DISCLOSED HEREON. THIS DOCUMENT IS ISSUED FOR ENGINEERING INFORMATION ONLY. IT MAY NOT BE DISCLOSED TO OTHERS NOR MAY IT BE USED FOR MANUFACTURING PURPOSES WITHOUT WRITTEN PERMISSION FROM MGE.

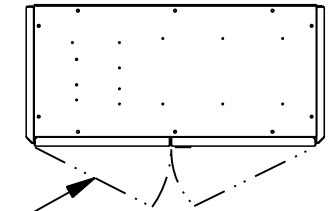
REVISIONS				
ZONE	REV	DESCRIPTION	DATE	APPROVED
	A00	RELEASE PER ECN005734	12/20/07	OD/WN

B

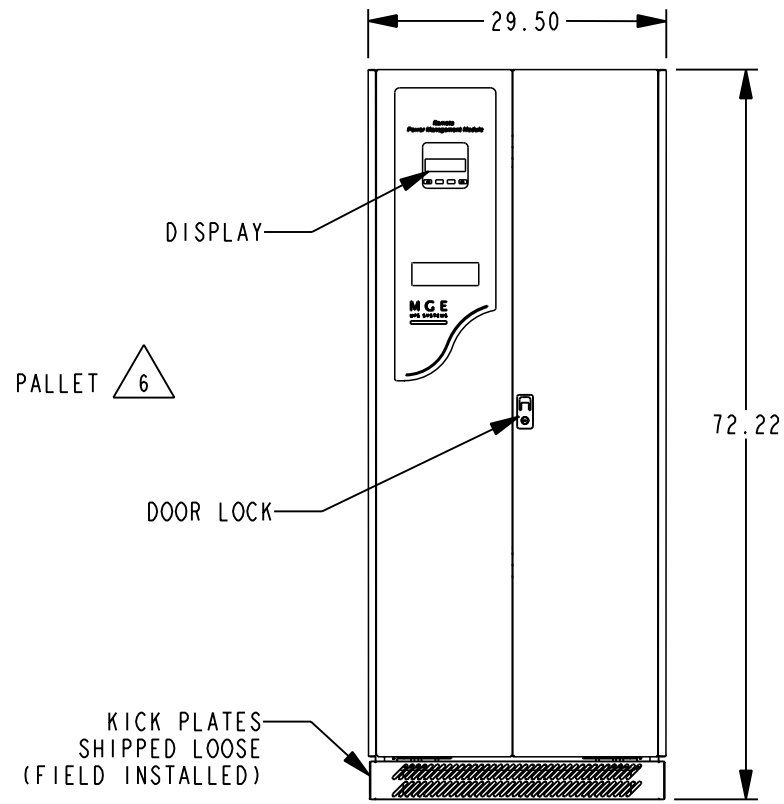
B



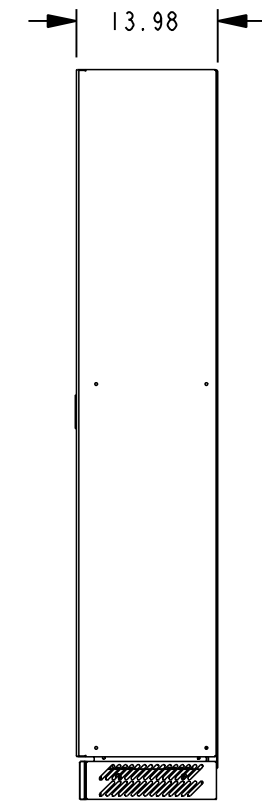
DOOR SWING
14.5" @ 100°
RECOMMENDED
AISLE SPACE 36"



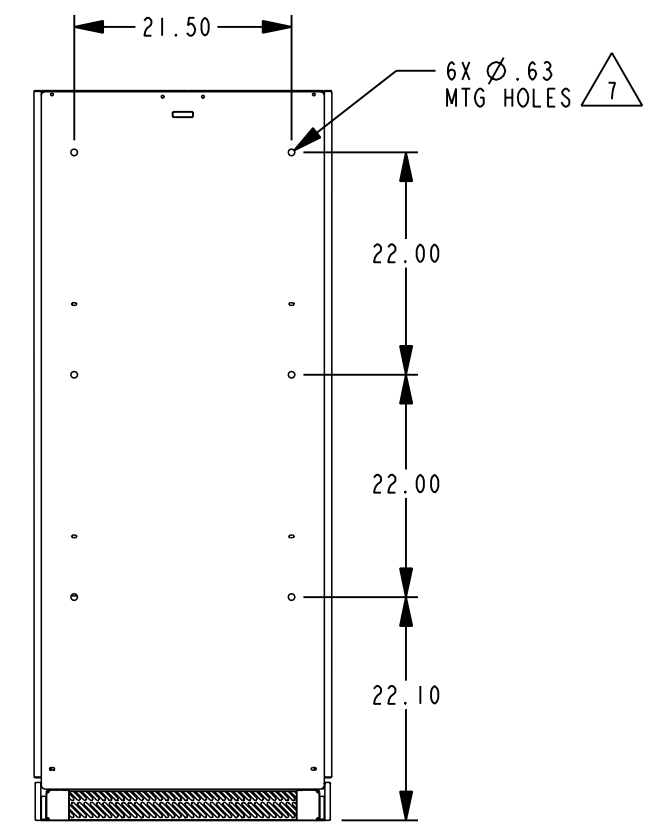
TOP VIEW



FRONT VIEW



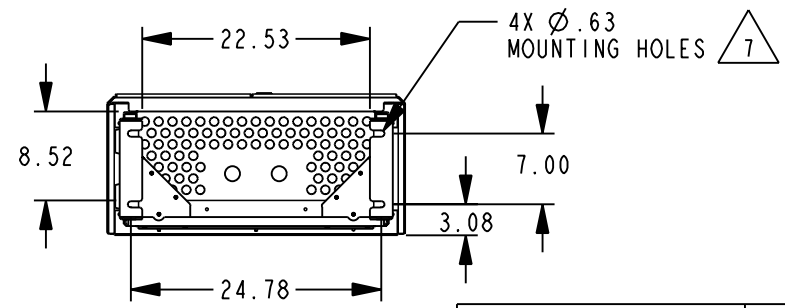
SIDE VIEW



REAR VIEW

SHIPPING PALLET

KICK PLATES
SHIPPED LOOSE
(FIELD INSTALLED)



BOTTOM VIEW
RECOMMENDED
FLOOR CUTOUT
22.50 X 8.50

WARNING! UNIT IS NOT STABLE
WHEN STANDING UPRIGHT UNSECURED

A

A

8. SHIPPING WEIGHT: 470lbs.

SECURING UNIT:
SECURE UNIT IN UPRIGHT POSITION BY BOLTING TO A WALL USING THROUGH HOLES ON THE REAR PANEL OF THE CHASSIS. MOUNTING ON THE BASE MAY BE UTILIZED FOR ADDITIONAL SUPPORT. GRADE 5, 3/8" HARDWARE RECOMMENDED. HARDWARE TO BE PROVIDED BY CUSTOMER.

PALLET REMOVAL:
SUPPORT UNIT PRIOR TO REMOVING PALLET FROM UNIT. AFTER REMOVAL OF PALLET, THE UNIT WILL NOT STAND UPRIGHT UNSECURED. LOCATE THE UNIT NEAR THE FINAL POSITION AND REMOVE (2) 2 X 6 CROSS MEMBERS AT THE REAR OF THE PALLET. SECURE THE CABINET IN THE UPRIGHT POSITION, REMOVE THE HARDWARE ATTACHING THE CABINET TO THE PALLET AND SLIDE THE PALLET AWAY FROM THE CABINET.

CUSTOMER TO REMOVE AND CUT HOLES IN CONDUIT PLATE AS REQUIRED.

4. FOLLOW THE NEC (NATIONAL ELECTRICAL CODE) AND OTHER APPLICABLE LOCAL CODES.

3. REFER TO OWNERS MANUAL FOR INSTALLATION AND OPERATING INSTRUCTIONS.

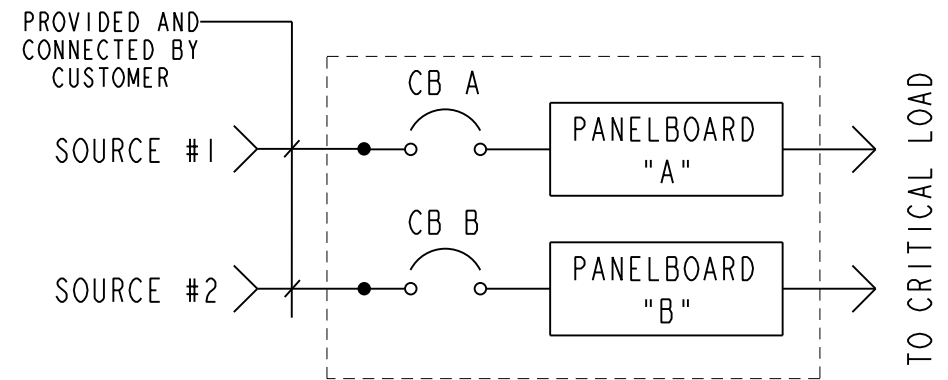
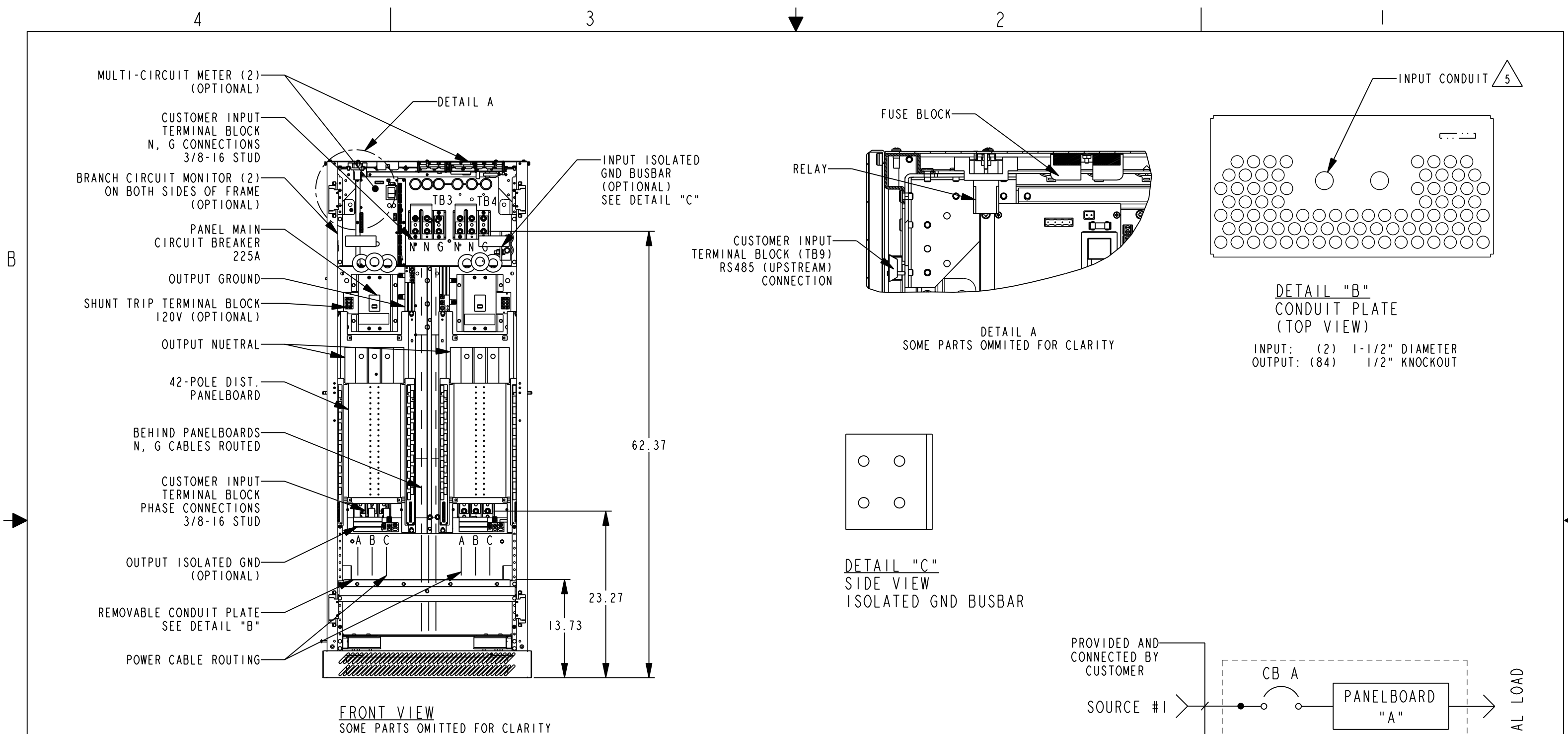
2. NO REAR OR SIDE ACCESS REQUIRED FOR NORMAL SERVICE AND MAINTENANCE.

1. COLOR: LIGHT GREY.

NOTES: UNLESS OTHERWISE SPECIFIED.

UNLESS OTHERWISE SPECIFIED DIMENSIONS ARE IN INCHES TOLERANCES ARE: DECIMALS .XX ±.03 .XXX ±.010 ANGLES ± 1/2°	CONTRACT NO.	
	APPROVALS	DATE
MATERIAL	DRAWN	O.DIZON 12/20/07
FINISH	CHECKED	W.NIDOY 12/20/07
NONE	MFG ENG	
	ISSUED	D.LORIA 12/20/07
	PMR084S.A00	

MGE UPS SYSTEMS		MGE UPS Systems, Inc. 1660 Scenic Avenue Costa Mesa, CA 92626	
INSTALLATION DRAWING RPM084S			
SIZE	FSCM NO.	DWG. NO.	REV.
B	9L985	90-505033-00	A00
SCALE 0.047	90-505033-00.A00	SHEET 1	OF 2



SUGGESTED CABLE SIZING		
INPUT CABLE RANGES	OUTPUT GROUND CABLE RANGES	OUTPUT NEUTRAL CABLE RANGES
AØ, BØ, CØ: 350MCM - #6AWG	(36) #16 - 12 AWG	(42) #14 - 4 AWG
GROUND: 350MCM - #6AWG	(6) #16 - 2 AWG	WIRE: 105° C 600V
NEUTRAL: (2) 350MCM - #4AWG	(2) 2 - 1/0 AWG	
WIRE: 105° C 600V	WIRE: 105° C 600V	

OPTIONAL METER CONNECTIONS ON VERIS METER	
DB9 RS232	
Rx	2
Tx	3
SHIELD	5

NOTES: UNLESS OTHERWISE SPECIFIED.

SIZE	FSCM NO.	DWG. NO.	REV.
B	9L985	90-505033-00	A00
SCALE 0.063	90-505033-00-A00.3+	SHEET 2 OF 2	