

MGE UPS SYSTEMS, INC. (MGE) CLAIMS PROPRIETARY RIGHTS IN THE MATERIAL DISCLOSED HEREON. THIS DOCUMENT IS ISSUED FOR ENGINEERING INFORMATION ONLY. IT MAY NOT BE DISCLOSED TO OTHERS NOR MAY IT BE USED FOR MANUFACTURING PURPOSES WITHOUT WRITTEN PERMISSION FROM MGE.

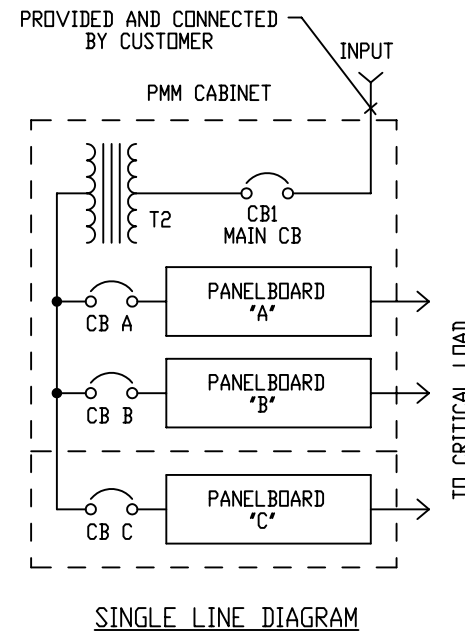
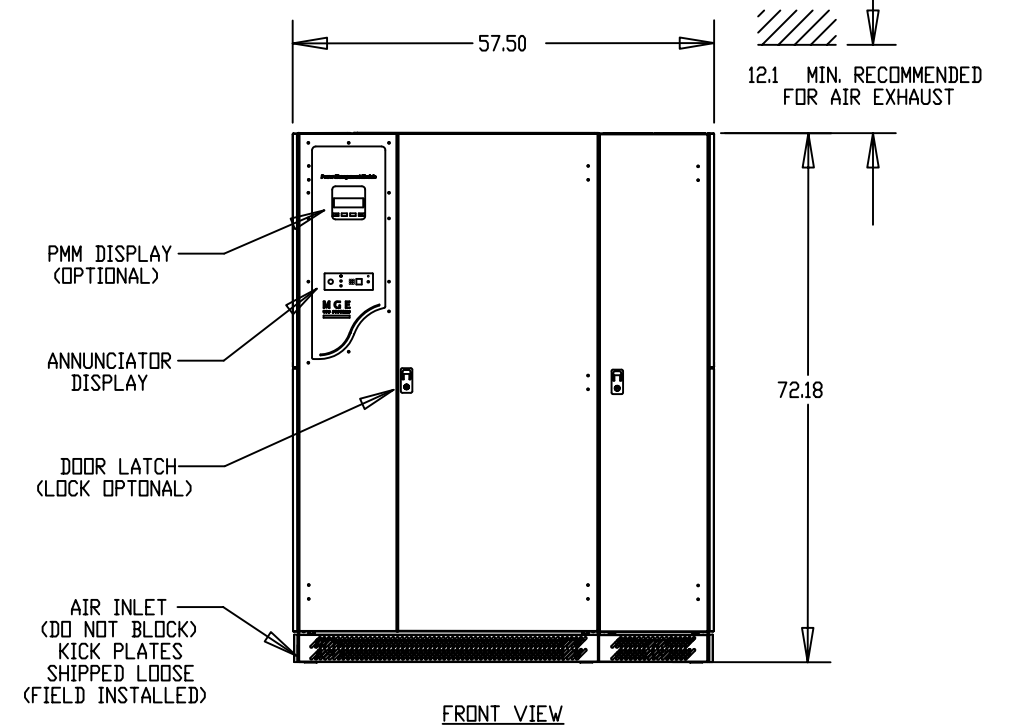
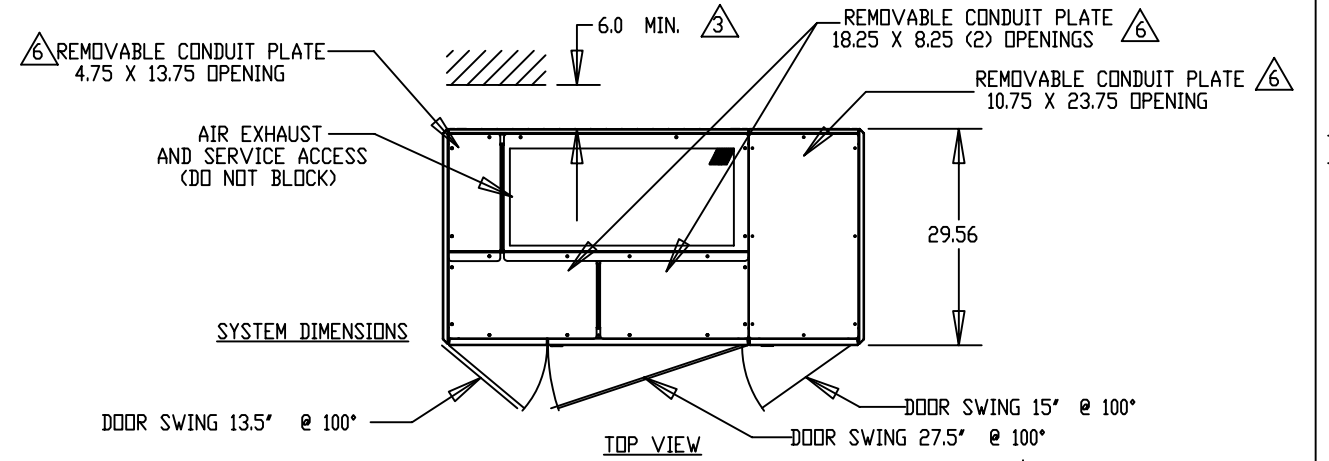
REVISIONS				
ZONE	REV	DESCRIPTION	DATE	APPROVED
	A00	RELEASED PER ECN-002680	6-12-02	I. KENNEDY
	B00	REVISED PER ECN-002822	8-21-02	I. KENNEDY
	C00	REVISED PER ECN-003493	6-6-05	I. KENNEDY
	C01	REVISED PER ECN-005173	5-15-07	F.MIGNOT

TABLE 1:
INPUT POWER CONNECTIONS/WEIGHT/HEAT REJECTION

SYSTEM KVA	INPUT VOLTS	INPUT CIRCUIT BREAKER				WT.(LBS.)	BTU/HR
		TRIP AMPS	CONNECTOR LUG WIRE RANGE		CONDUIT SIZE		
			STANDARD CB	HI-INTERRUPT CB			
30	480	50	(1) #14 - 1/0	(1) #14 - 1/0	2	1315	3200
50	208	175	(1) #4 - 3/0	(1) #4 - 3/0	2	1440	5300
50	480	80	(1) #14 - 1/0	(1) #14 - 1/0	2	1440	5300
50	600	60	(1) #14 - 1/0	(1) #14 - 1/0	2	1440	5300
75	208	300	(1) #1 - 600	(3) 3/0 - 500	(2) 2 1/2	1565	8000
75	380	150	(1) #4 - 3/0	(1) #4 - 3/0	2	1765	8000
75	480	125	(1) #4 - 3/0	(1) #4 - 3/0	2	1765	8000
75	600	90	(1) #14 - 1/0	(1) #14 - 1/0	2	1765	8000
100	480	150	(1) #4 - 3/0	(1) #4 - 3/0	2	1815	8800
125	480	200	(1) #4 - 3/0	(1) 1/0 - 3/0	2	2075	10900
125	600	150	(1) #4 - 3/0	(1) #4 - 3/0	2	2075	10900
150	380	300	(1) #1 - 600	(3) 3/0 - 500	(2) 2 1/2	2325	13100
150	480	225	(1) #4 - 3/0	(1) 1/0 - 3/0	2	2150	13100
150	600	200	(1) #4 - 3/0	(1) 1/0 - 3/0	2	2150	13100
200	480	350	(1) #1 - 600	(3) 3/0 - 500	(2) 2 1/2	2500	13900
225	380	450	(3) 3/0 - 500	(3) 3/0 - 500	(2) 2 1/2	2700	15700
225	480	400	(1) #1 - 600	(3) 3/0 - 500	(2) 2 1/2	2575	15700
225	600	300	(1) #1 - 600	(3) 3/0 - 500	(2) 2 1/2	2575	15700
50	208/120	175	(1) #4 - 3/0	(1) #4 - 3/0	2	925	600
100	208/120	350	(1) #1 - 600	(3) 3/0 - 500	(2) 2 1/2	950	600
300	480	600	(3) 3/0 - 500	(3) 3/0 - 500	(2) 2 1/2	3185	20900

TABLE 2:
OUTPUT POWER CONNECTIONS

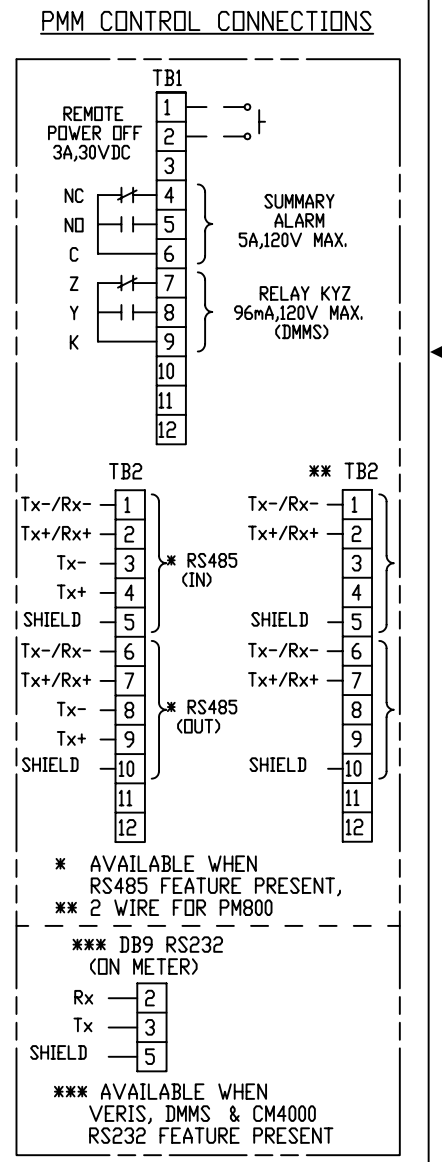
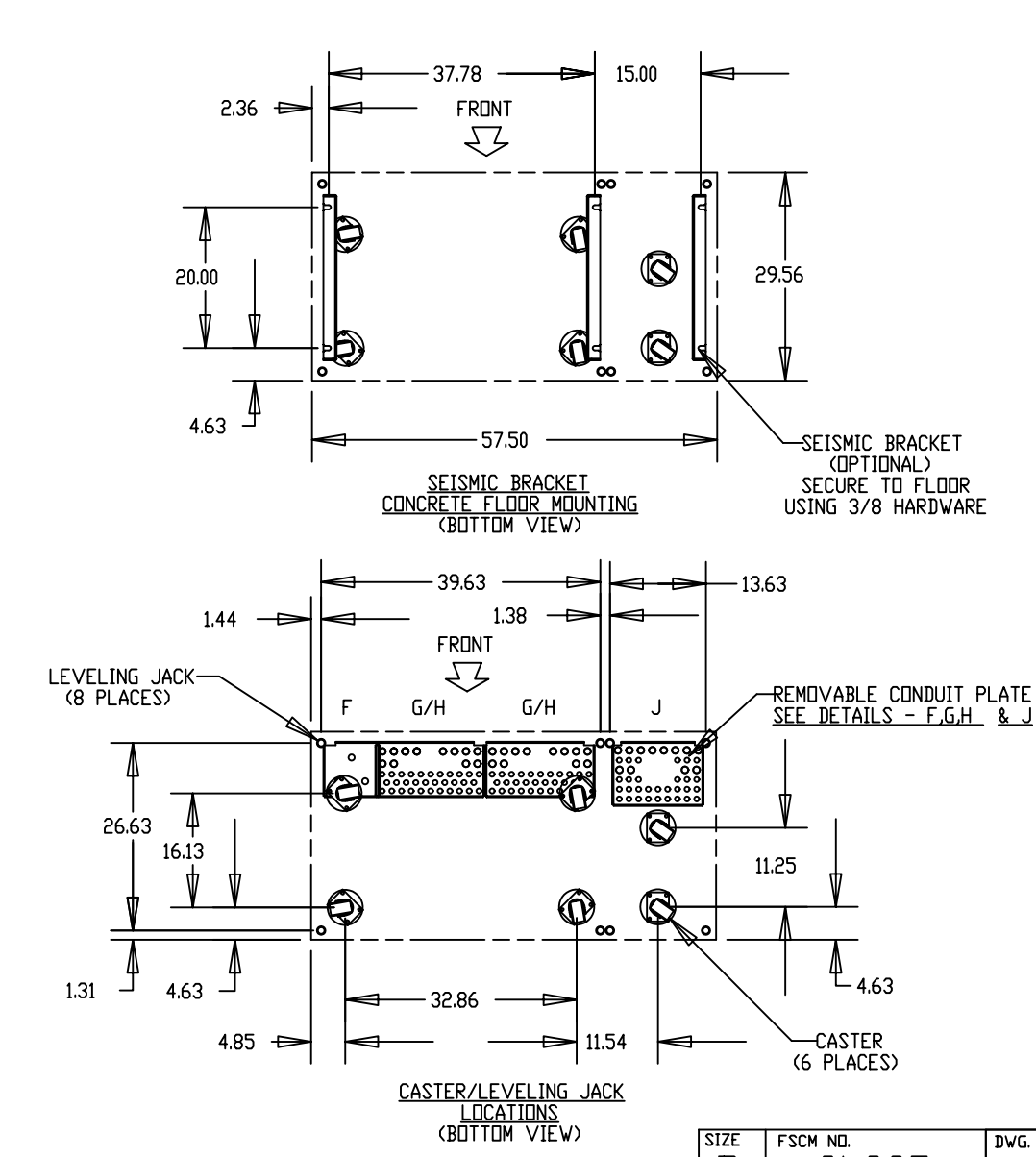
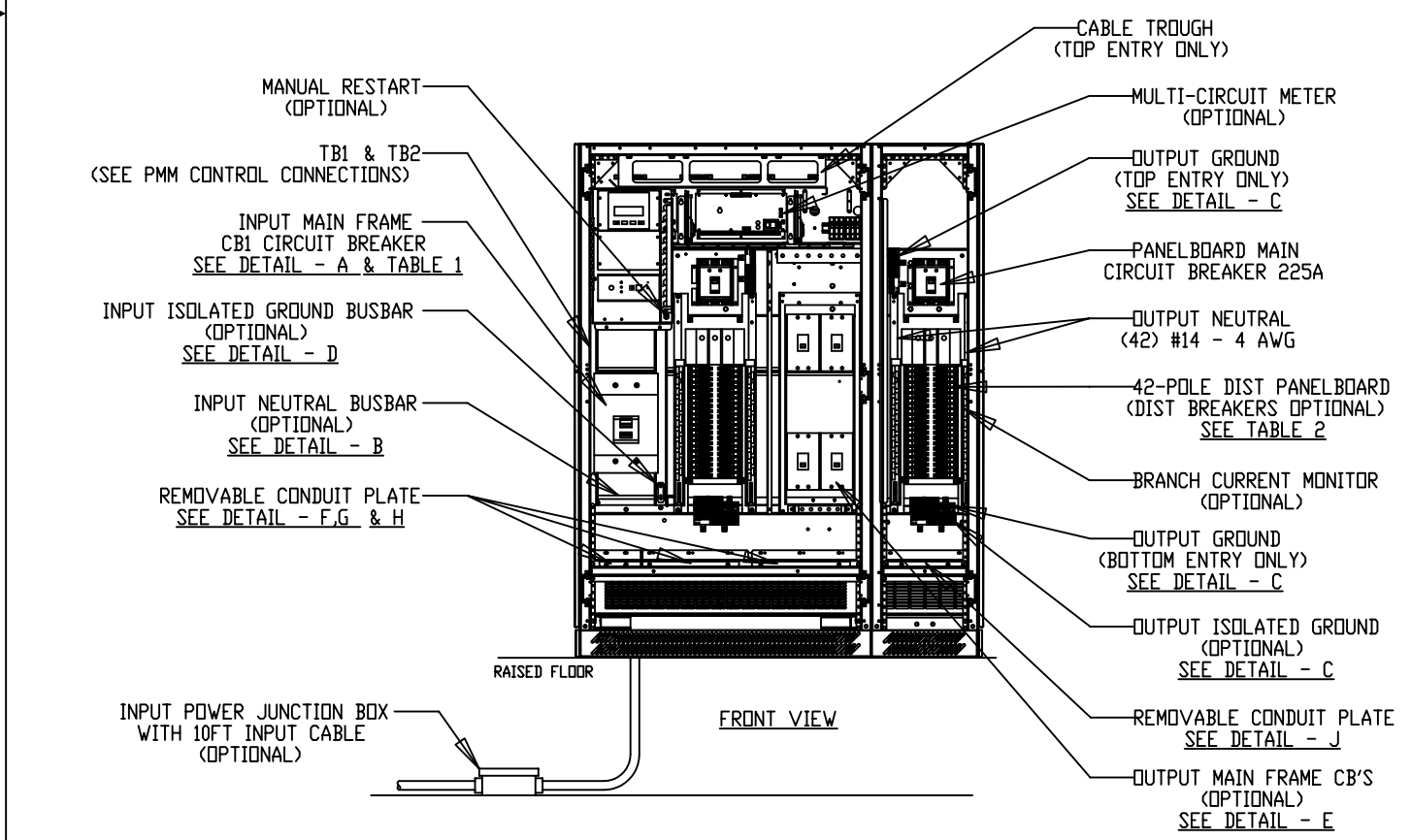
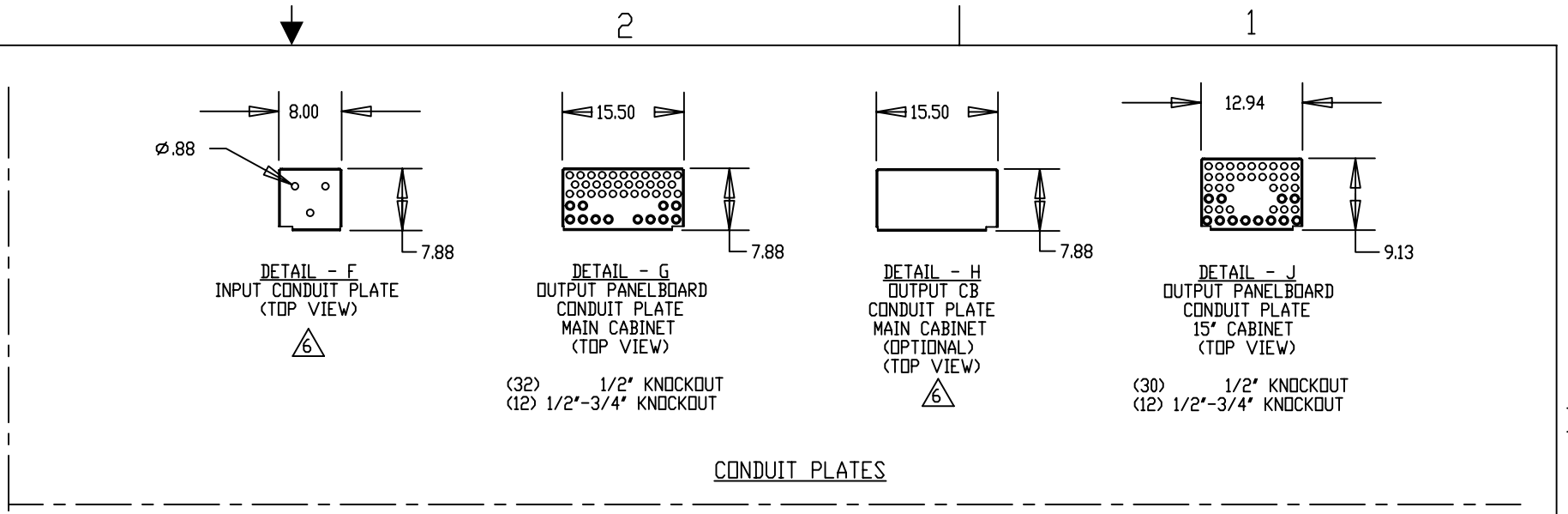
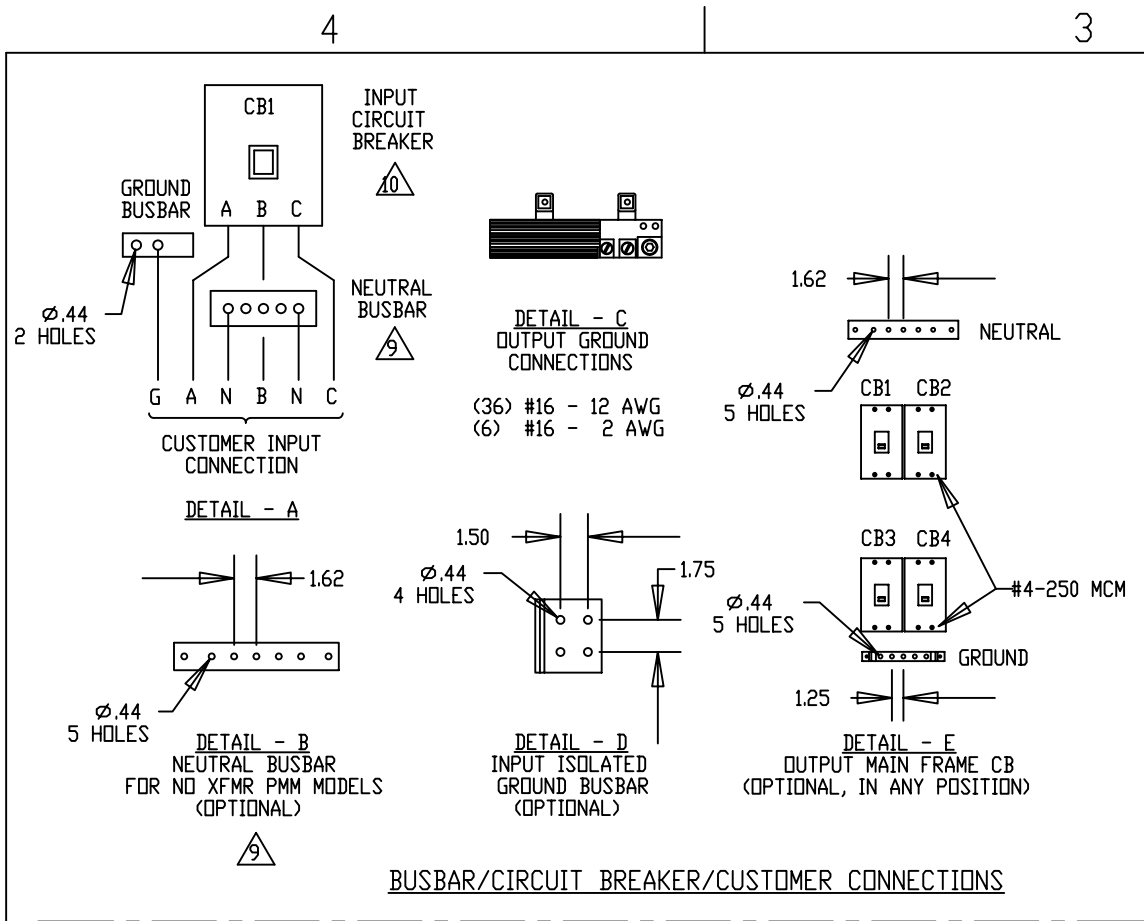
TRIP AMPS	WIRE CONNECTIONS
10 - 30	#14 - 8
35 - 70	#8 - 2
80 - 125	#4 - 2/0



- 10. WHEN MAKING INPUT CONNECTIONS, MAKE SURE THAT THE EXISTING CONTROL WIRING ARE KEPT IN PLACE.
- 9. INPUT NEUTRAL BUSBAR IS ONLY PROVIDED ON TRANSFORMERLESS MODELS. IF USED, CONNECT NEUTRAL CABLES AS SHOWN.
- 8. IF OPTIONAL J-BOX IS SUPPLIED, REFER TO SEPARATE INSTALLATION DRAWINGS.
- 7. ALL CABLE CONNECTIONS ARE BASED ON CUSTOMER SUPPLIED COPPER WIRE RATED 75° C.
- 6. CUSTOMER TO REMOVE AND CUT HOLES IN CONDUIT PLATE AS REQUIRED.
- 5. FOLLOW THE NEC (NATIONAL ELECTRICAL CODE) AND OTHER APPLICABLE LOCAL CODES.
- 4. HEAT LOSS BASED ON FULL RESISTIVE LOAD CAN VARY +/-10% UNDER DIFFERENT LOAD CONDITIONS.
- 3. 6.00 INCHES REAR CLEARANCE IS REQUIRED FOR VENTILATION. 36.00 INCHES FRONT CLEARANCE FOR MAINTENANCE.
- 2. REFER TO OWNERS MANUAL FOR INSTALLATION AND OPERATING INSTRUCTIONS.
- 1. COLOR: LIGHT GREY

NOTES: UNLESS OTHERWISE SPECIFIED.

UNLESS OTHERWISE SPECIFIED DIMENSIONS ARE IN INCHES TOLERANCES ARE: DECIMALS .XX ±.03 .XXX ±.010 ANGLES ± 1/2°	CONTRACT NO.		MGE UPS SYSTEMS MGE UPS Systems, Inc. 1660 Scenic Avenue Costa Mesa, CA 92626			
	APPROVALS	DATE				
MATERIAL NONE	DRAWN YRS	01-14-02	INSTALLATION DRAWING SYSTEM 126 PMM ²			
FINISH NONE	CHECKED J. CHEN	01-14-02				
	MFG ENG M. SHAH	01-14-02	SIZE B	FSCM NO. 9L985	DWG. NO. 90-505001-00	REV. C01
	ISSUED I. KENNEDY	01-14-02	SCALE 0.250		SHEET 1 OF 2	



SEE SHEET 1
NOTES: UNLESS OTHERWISE SPECIFIED.

SIZE B	FSCM NO. 9L985	DWG. NO. 90-505001-00	REV. C01
SCALE 0.250	SHEET 2 OF 2		