

MGE UPS SYSTEMS, INC. (MGE) CLAIMS PROPRIETARY RIGHTS IN THE MATERIAL DISCLOSED HEREON. THIS DOCUMENT IS ISSUED FOR ENGINEERING INFORMATION ONLY. IT MAY NOT BE DISCLOSED TO OTHERS NOR MAY IT BE USED FOR MANUFACTURING PURPOSES WITHOUT WRITTEN PERMISSION FROM MGE.

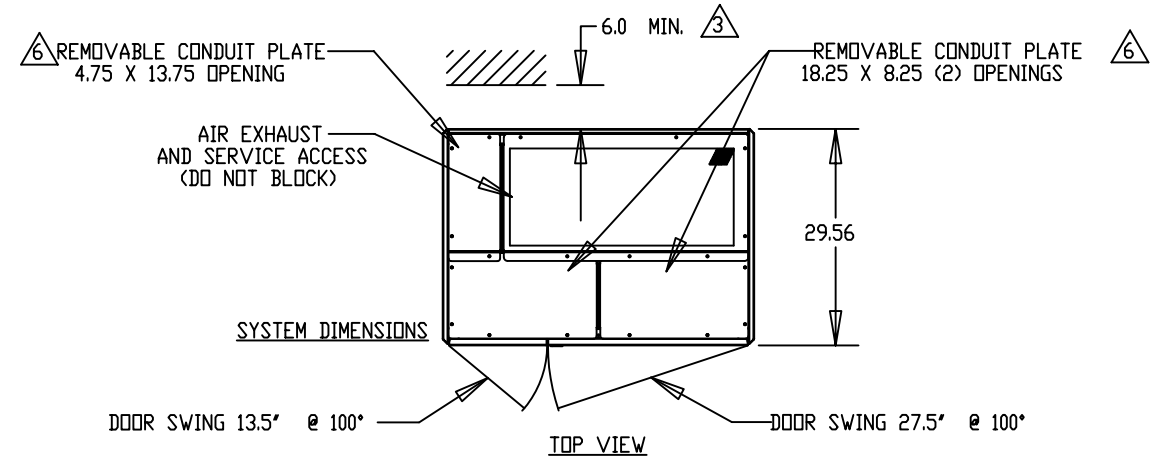
TABLE 1:
INPUT POWER CONNECTIONS/WEIGHT/HEAT REJECTION

SYSTEM KVA	INPUT VOLTS	TRIP AMPS	INPUT CIRCUIT BREAKER		CONDUIT SIZE	WT.(LBS.)	BTU/HR
			CONNECTOR LUG WIRE RANGE				
			STANDARD CB	HI-INTERRUPT CB			
30	208/120	110	(1) #4 - 350	(1) #4 - 350	2	675	600
30	208	110	(1) #4 - 350	(1) #4 - 350	2	1075	3200
30	480	50	(1) #14 - 1/0	(1) #14 - 1/0	2	1075	3200
50	208/120	175	(1) #4 - 350	(1) #4 - 350	2	675	600
50	208	175	(1) #4 - 350	(1) #4 - 350	2	1200	5300
50	480	80	(1) #14 - 1/0	(1) #14 - 1/0	2	1200	5300
50	600	60	(1) #14 - 1/0	(1) #14 - 1/0	2	1200	5300
75	208/120	300	(1) #1 - 600	(3) 3/0 - 500	(2) 2 1/2	675	600
75	208	300	(1) #1 - 600	(3) 3/0 - 500	(2) 2 1/2	1325	8000
75	380	150	(1) #4 - 350	(1) #4 - 350	2	1525	8000
75	480	125	(1) #4 - 350	(1) #4 - 350	2	1525	8000
100	208/120	350	(1) #1 - 600	(3) 3/0 - 500	(2) 2 1/2	675	600
100	208	350	(1) #1 - 600	(3) 3/0 - 500	(2) 2 1/2	1575	8800
100	480	150	(1) #4 - 350	(1) #4 - 350	2	1575	8800
125	380	250	(1) #4 - 350	(1) 1/0 - 350	2	1975	10900
125	480	200	(1) #4 - 350	(1) 1/0 - 350	2	1825	10900
125	600	150	(1) #4 - 350	(1) #4 - 350	2	1825	10900
150	380	300	(1) #1 - 600	(3) 3/0 - 500	(2) 2 1/2	2075	13100
150	480	225	(1) #4 - 350	(1) 1/0 - 350	2	1900	13100
150	600	200	(1) #4 - 350	(1) 1/0 - 350	2	1900	13100
200	480	350	(1) #1 - 600	(3) 3/0 - 500	(2) 2 1/2	2250	13900
225	380	450	(3) 3/0 - 500	(3) 3/0 - 500	(2) 2 1/2	2450	15700
225	480	400	(1) #1 - 600	(3) 3/0 - 500	(2) 2 1/2	2325	15700
300	480	600	(3) 3/0 - 500	(3) 3/0 - 500	(2) 2 1/2	2935	20900
50	380	110	(1) #4 - 350	(1) #4 - 350	2	1255	5300
75	600	90	(1) #4 - 1/0	(1) #4 - 1/0	2	1525	8000

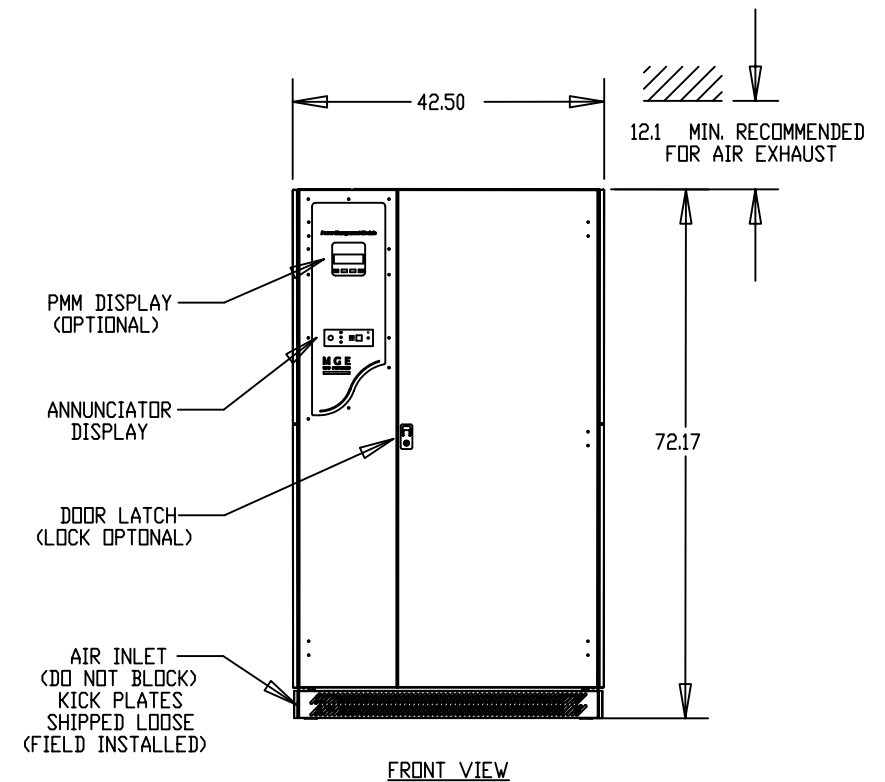
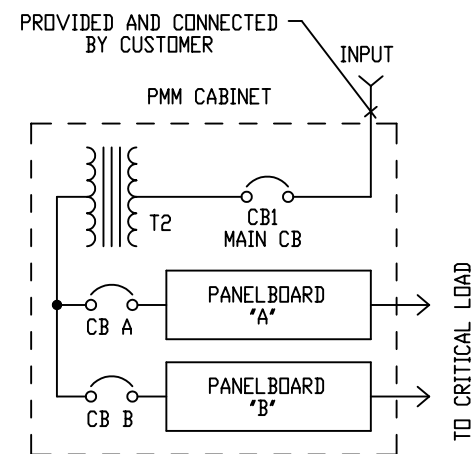
TABLE 2:
OUTPUT POWER CONNECTIONS

TRIP AMPS	WIRE CONNECTIONS
10 - 30	#14 - 8
35 - 70	#8 - 2
80 - 125	#4 - 2/0

REVISIONS				
ZONE	REV	DESCRIPTION	DATE	APPROVED
	A00	RELEASED PER ECN-002680	6-12-02	I. KENNEDY
	B00	REVISED PER ECN-002822	8-21-02	I. KENNEDY
	C00	REVISED PER ECN-003493	6-6-05	I. KENNEDY
	C01	REVISED PER ECN-005173	5-15-07	F.MIGNOT



SINGLE LINE DIAGRAM



11. FOR ZIG-ZAG TRANSFORMER OPTION:
PANEL A CONNECTED TO WINDING 1
PANEL B CONNECTED TO WINDING 2
10. WHEN MAKING INPUT CONNECTIONS, MAKE SURE THAT THE EXISTING CONTROL WIRING ARE KEPT IN PLACE.
9. INPUT NEUTRAL BUSBAR IS ONLY PROVIDED ON TRANSFORMERLESS MODELS. IF USED, CONNECT NEUTRAL CABLES AS SHOWN.
8. IF OPTIONAL J-BOX IS SUPPLIED, REFER TO SEPARATE INSTALLATION DRAWINGS.
7. ALL CABLE CONNECTIONS ARE BASED ON CUSTOMER SUPPLIED COPPER WIRE RATED 75° C.
6. CUSTOMER TO REMOVE AND CUT HOLES IN CONDUIT PLATE AS REQUIRED.
5. FOLLOW THE NEC (NATIONAL ELECTRICAL CODE) AND OTHER APPLICABLE LOCAL CODES.
4. HEAT LOSS BASED ON FULL RESISTIVE LOAD CAN VARY +/-10% UNDER DIFFERENT LOAD CONDITIONS.
3. 6.00 INCHES REAR CLEARANCE IS REQUIRED FOR VENTILATION. 36.00 INCHES FRONT CLEARANCE FOR MAINTENANCE.
2. REFER TO OWNERS MANUAL FOR INSTALLATION AND OPERATING INSTRUCTIONS.
1. COLOR: LIGHT GREY

NOTES: UNLESS OTHERWISE SPECIFIED.

UNLESS OTHERWISE SPECIFIED DIMENSIONS ARE IN INCHES TOLERANCES ARE: DECIMALS .XX ±.03 .XXX ±.010 ANGLES ± 1/2°	CONTRACT NO.		MGE UPS SYSTEMS MGE UPS Systems, Inc. 1660 Scenic Avenue Costa Mesa, CA 92626	
	APPROVALS	DATE		
MATERIAL NONE	DRAWN YRS	01-14-02	INSTALLATION DRAWING SYSTEM 084 PMM ²	
FINISH NONE	CHECKED J. CHEN	01-14-02		
	MFG ENG M. SHAH	01-14-02	SIZE B	FSCM NO. 9L985
	ISSUED I. KENNEDY	01-14-02	DWG. NO. 90-505000-00	REV. C01
			SCALE 0.250	SHEET 1 OF 2

