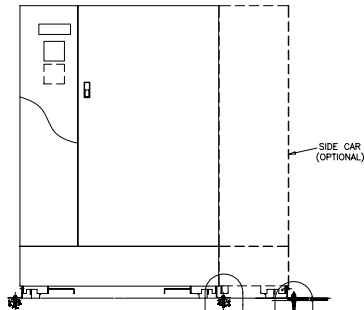


SEE THE DRAWING FOR THE PRELIMINARY POSITION OF THE EQUIPMENT. THE CUSTOMER MUST VERIFY THE POSITION OF THE EQUIPMENT ON THE FLOOR AND THE POSITION OF THE TIE-DOWN HOLES TO BE DRILLED TO THE FLOOR.

REV. NO.	90-501531-00	REV. NO.	200
DATE		DATE	
DESCRIPTION		DESCRIPTION	
APPROVED		APPROVED	
DATE	5/21/98	DATE	JCM



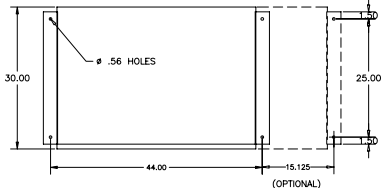
FRONT VIEW

DETAIL - A

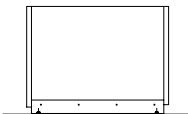
DETAIL - B

FOR CONCRETE FLOOR

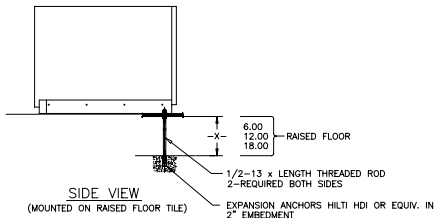
FOR RAISED FLOOR



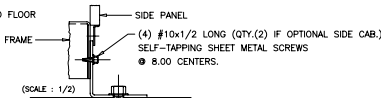
TIE-DOWN HOLE LOCATION



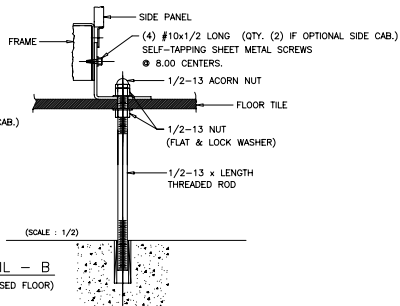
CONCRETE SLAB  
 2-1/2 HILTI KBI BOLTS  
 WITH 2 1/4" EMBEDMENT  
 SIDE VIEW  
 (MOUNTED ON CONCRETE FLOOR)



RAISED FLOOR  
 6.00  
 12.00  
 18.00  
 1/2-13 x LENGTH THREADED ROD  
 2-REQUIRED BOTH SIDES  
 EXPANSION ANCHORS HILTI HDI OR EQUIV. IN  
 2" EMBEDMENT  
 SIDE VIEW  
 (MOUNTED ON RAISED FLOOR TILE)



DETAIL - A  
 (FOR CONCRETE FLOOR)



DETAIL - B  
 (FOR RAISED FLOOR)

2. CUSTOMER TO DRILL HOLES IN CONCRETE FLOOR AT DIMENSIONS AS SHOWN USING CUSTOMER SUPPLIED AND INSTALLED EXPANSION ANCHORS.
  - CONCRETE FLOOR MOUNTING: USE "HILTI KBI" OR EQUIV. WEDGE TYPE ANCHORS.
  - RAISED FLOOR MOUNTING: USE "HILTI HDI" OR EQUIV. DROP IN TYPE ANCHORS.
1. SELECT APPROPRIATE HOLE PATTERN FOR EQUIPMENT REQUIRED.  
 (SEE TIE-DOWN HOLE LOCATION)

5. FOR RAISED FLOOR INSTALLATION DRILL (4) .56 DIA. CLEARANCE HOLES AND INSTALL 1/2" DIA. THREADED ROD AS SHOWN.
4. INSTALL (2) BRACKETS 71-501234-00, ONE TO EACH SIDE TO THE BASE OF THE EQUIPMENT USING THE PRE-DRILLED GUIDANCE HOLES FOR (8) SUPPLIED #10 SELF-TAPPING SHEET METAL SCREWS (04-73200).
3. LOCATE EQUIPMENT AS PER INSTALLATION DRAWING. SYSTEM 42 & 84, 90-501530-01. SYSTEM 126 & 168, 90-501530-01. MAKE SURE LEVELERS ARE PROPERLY SECURED TO THE FLOOR.

MGE UPS Systems, Inc. 1500 Pacific Avenue Costa Mesa, CA 92626 U.S.A.	
<b>INSTALLATION DRAWING</b> <b>SEISMIC ZONE 4</b> <b>PMM</b>	
DATE: 3/17/98 DRAWN: J. MARTINEC CHECKED: LNA APPROVED: J. MARTINEC	DATE: 2/23/98 DATE: 3/12/98 DATE: 3/17/98
SHEET: 178 TITLE: NOT SCALE DRAWING	SHEET: 1 OF 1 NO. 90-501531-00 REV. 200