

4 ADJUSTABLE HEIGHT LEVELERS 1.2 SQ. in. (31 SQ mm) SURFACE AREA EACH.

RECOMMENDED FLOOR TILE CUTOUT FOR TRANSFORMER VENTILATION

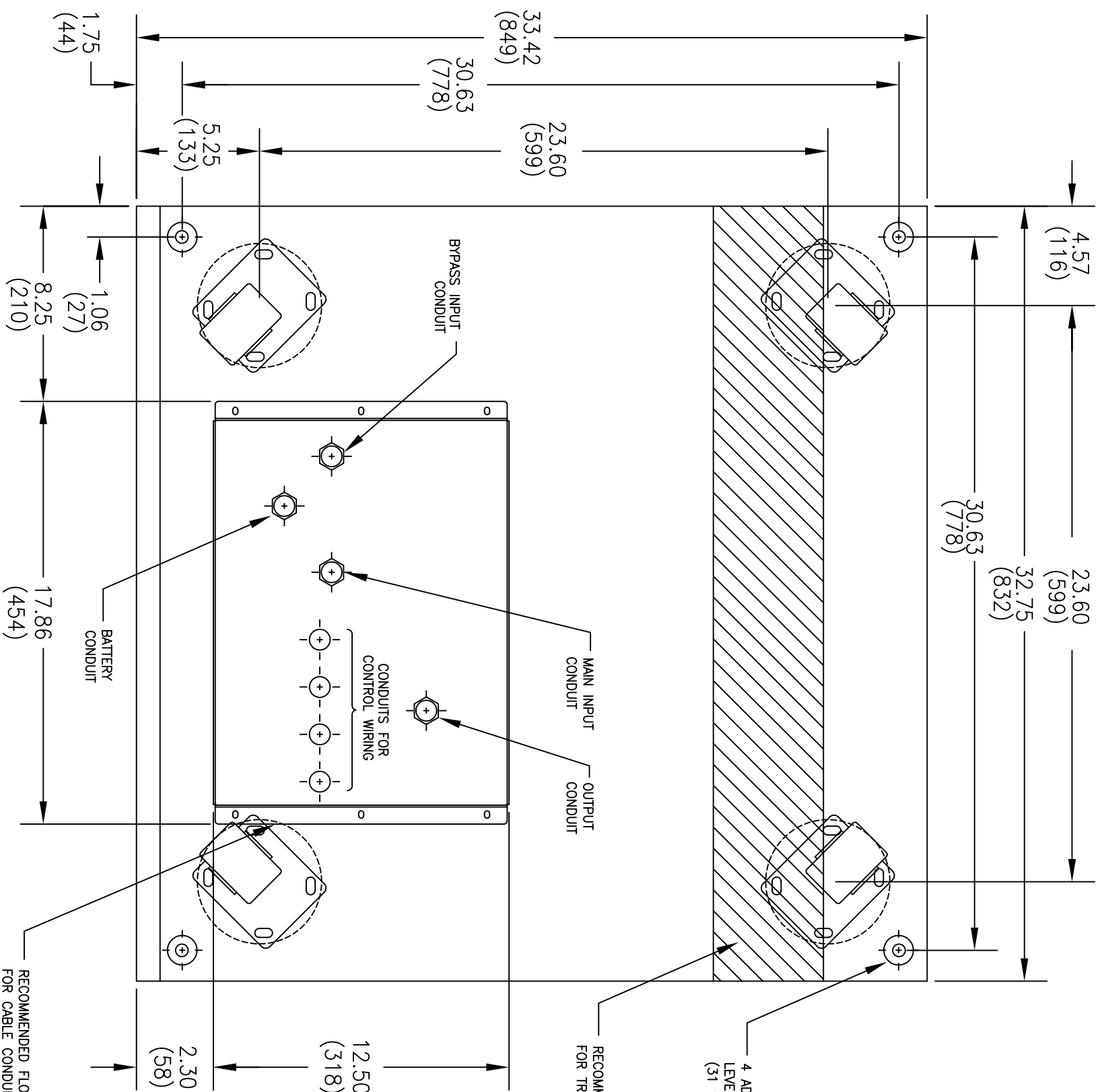
BOTTOM CONDUIT INSTALLATION INSTRUCTIONS

1. REMOVE MOUNTING SCREWS FROM CONDUIT PLATE.
2. PUNCH OUT REQUIRED CONDUIT HOLES.
3. REPLACE CONDUIT PLATE ON UNIT WITH MOUNTING SCREWS BEFORE INSTALLING CONDUITS.
4. FOR SEISMIC BRACKET INFORMATION SEE DWG. 90-160080-20.

RECOMMENDED MAXIMUM CABLE AND CONDUIT SIZES

THIS TABLE IS FOR REFERENCE ONLY. REFER TO APPLICABLE NATIONAL AND LOCAL ELECTRICAL CODES FOR TYPE AND SIZE OF CONDUITS AND CONDUCTORS TO USE FOR INSTALLATION. REFER TO APPLICABLE INSTALLATION DRAWINGS FOR MORE DETAILS. CONDUIT SIZING IS FOR FLEXIBLE METALLIC CONDUITS. COPPER CABLES RATED AT 75°C MINIMUM AT NOMINAL CURRENT. POWER AND CONTROL CABLES TO BE IN SEPARATE CONDUITS. CONTROL WIRES TO BE 16AWG UL/CSA.

RATING	INPUT VOLTAGE (VOLTS)	OUTPUT VOLTAGE (VOLTS)	INPUT CONDUCTOR SIZE	INPUT CONDUIT SIZE (IN)	OUTPUT CONDUCTOR SIZE	OUTPUT CONDUIT SIZE (IN)
40/50KVA	480	480	4AWG	1 1/4	4AWG	1 1/4
	480	208	4AWG	1 1/4	3/0	2
	208/220	208/220	3/0	2	3/0	2
65KVA	480	480	2AWG	1 1/2	2AWG	1 1/2
	480	208	2AWG	1 1/2	250MCM	3
	208/220	208/220	250MCM	3	250MCM	3
80KVA	480	480	1AWG	1 1/2	1AWG	1 1/2
	480	208	1AWG	1 1/2	350MCM	3
	208/220	208/220	350MCM	3	350MCM	3



BOTTOM ENTRY CONDUIT PLATE

NOTE: ALL DIMENSIONS ARE TO THE OUTSIDE EDGE OF CABINET EXCLUDING DOOR LOCKS AND ALL HARDWARE.

SIZE	CAGE CODE	DWG NO.	REV.
B	9L985	90-160080-00	E02
SCALE	NONE	CAD	SHEET 2 OF 7