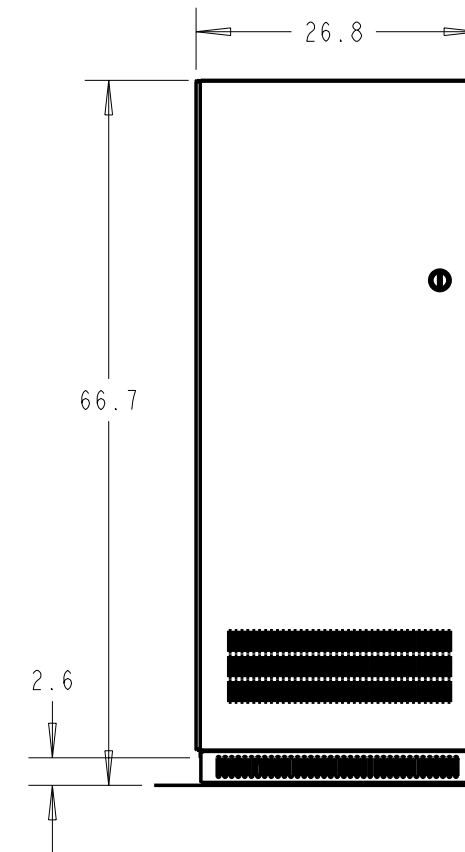
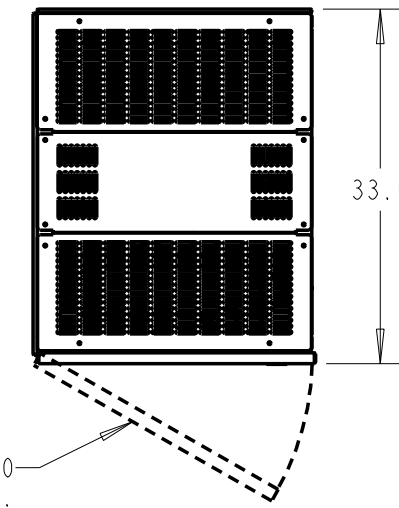
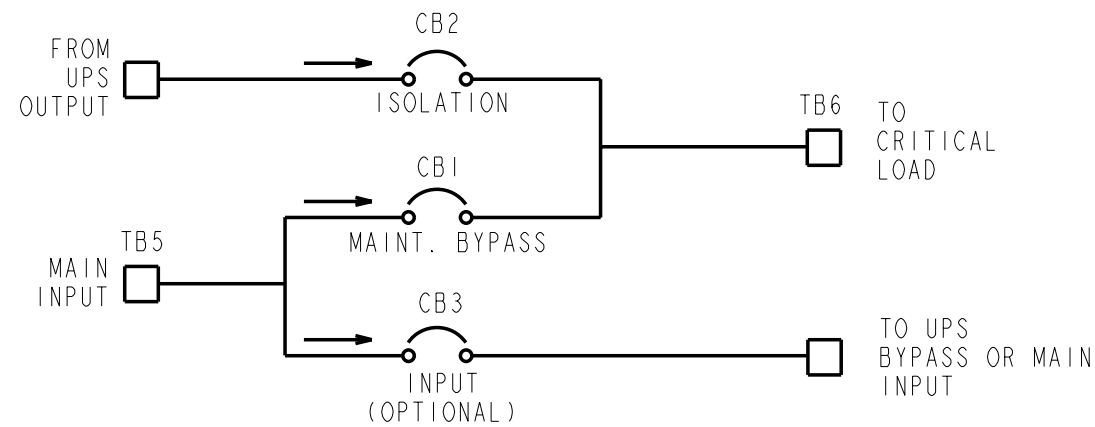


MGE UPS SYSTEMS, INC. (MGE) CLAIMS PROPRIETARY RIGHTS IN THE MATERIAL DISCLOSED HEREON. THIS DOCUMENT IS ISSUED FOR ENGINEERING INFORMATION ONLY. IT MAY NOT BE DISCLOSED TO OTHERS NOR MAY IT BE USED FOR MANUFACTURING PURPOSES WITHOUT WRITTEN PERMISSION FROM MGE.

REVISIONS				
ZONE	REV	DESCRIPTION	DATE	APPROVED
	A00	RELEASE PER ECN-003857	3/22/04	I. KENNEDY

SINGLE LINE DIAGRAM



1. ALL DIMENSIONS ARE TO THE OUTSIDE EDGE OF THE CABINET EXCLUDING DOOR LOCKS AND ALL HARDWARE.
2. COLOR: LIGHT GREY.
3. OPERATING TEMPERATURE: 32°F TO 86°F.
4. MAXIMUM HEAT GENERATED: 500 BTU/HR.
5. CABINET WEIGHT: APPROX. 540 LBS.
6. THE MBP CABINET MUST BE INSTALLED AND ALIGNED TO THE LEFT SIDE OF THE COMET UPS CABINET.
7. MGE WILL PROVIDE ALL POWER CABLES BETWEEN THE UPS CABINET AND THE MBP CABINET. IT IS THE RESPONSIBILITY OF THE CUSTOMER TO CONNECT THE CABLES. ALL OTHER EXTERNAL WIRING SUPPLIED AND CONNECTED BY CUSTOMER.
8. THIS DRAWING SHOULD BE USED IN CONJUNCTION WITH THE SYSTEM INSTALLATION DRAWING.
9. REFER TO DRAWING NO. 90-160080-20 FOR SEISMIC INSTALLATION AND SECURING CABINETS TOGETHER.

NOTES: UNLESS OTHERWISE SPECIFIED.

UNLESS OTHERWISE SPECIFIED DIMENSIONS ARE IN INCHES TOLERANCES ARE:  DECIMALS .XX ±.03 .XXX ±.010 ANGLES ± 1/2°	CONTRACT NO.		<b>MGE UPS Systems, Inc.</b> 1660 Scenic Avenue Costa Mesa, CA 92626	
	APPROVALS			
MATERIAL	DRAWN	H.DO	1/20/04	INSTALLATION DRAWING COMET AUXILIARY CABINET 450A-600A MATCHING MAINTENANCE BYPASS CABINET
FINISH	CHECKED	I.K.	1/20/04	
	MFG ENG			SIZE
	ISSUED	H.DO	1/20/04	FSCM NO.
				DWG. NO.
				REV.
				SCALE 0.055
				90-160080-51.1
				SHEET 1 OF 2