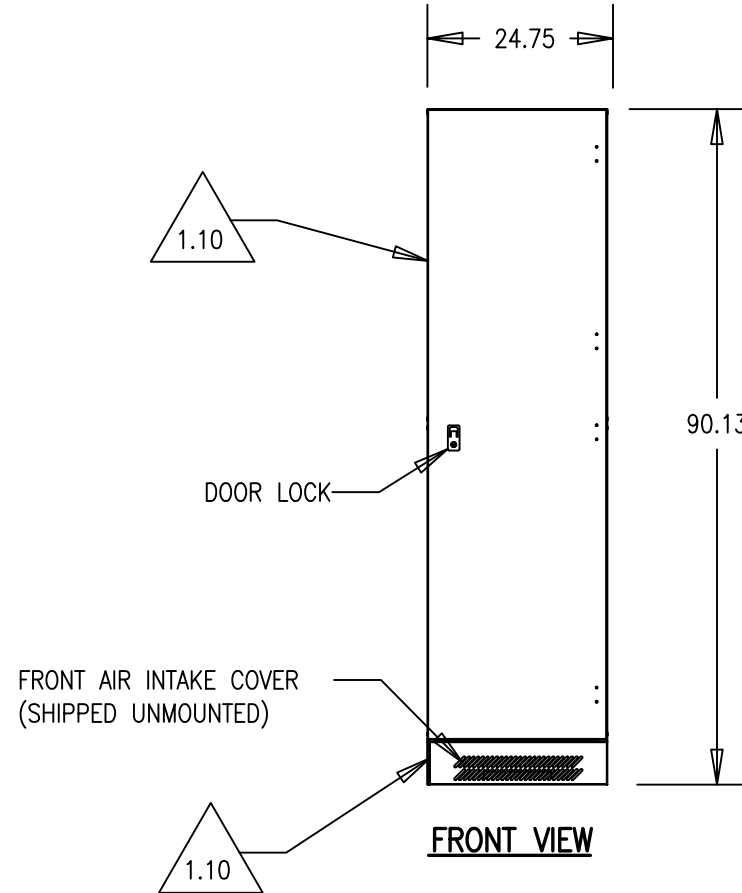
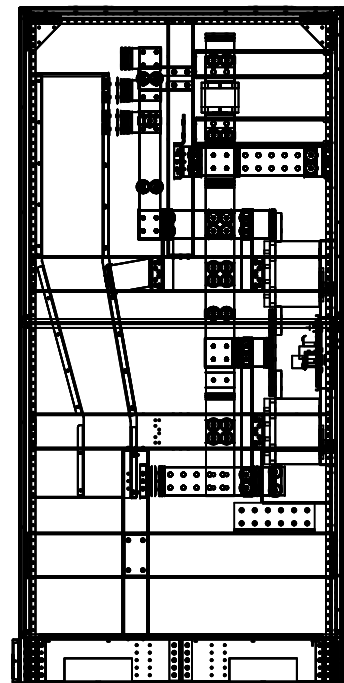
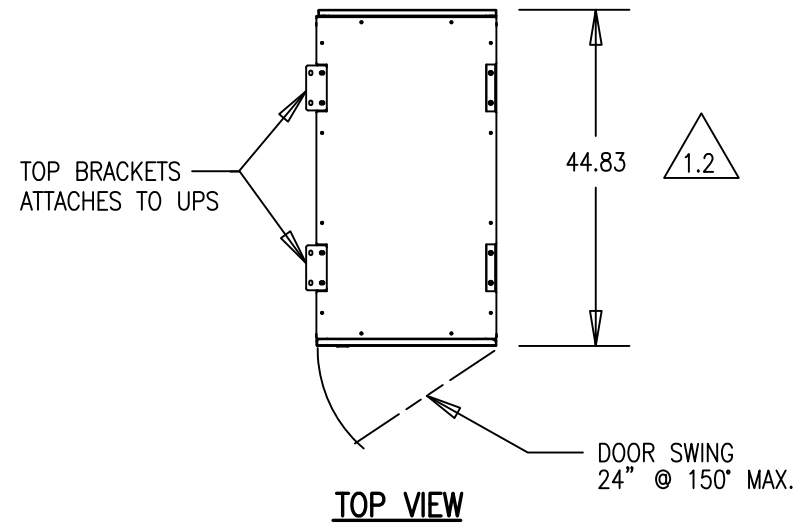


ALL TECHNICAL INFORMATION CONTAINED IN THIS DOCUMENT IS THE EXCLUSIVE PROPERTY OF SCHNEIDER ELECTRIC INDUSTRIES SAS AND MAY NEITHER BE USED NOR DISCLOSED WITHOUT ITS PRIOR WRITTEN CONSENT.

REVISIONS			
REV	DESCRIPTION	DATE	APPROVED
X2	REMOVED REMOTE MBC	01/29/09	L.A.



NOTES: UNLESS OTHERWISE SPECIFIED.

- 1.1 DIMENSION FORMAT IS INCHES.
- 1.2 ALL DIMENSIONS ARE TO OUTSIDE EDGE OF THE CABINET, EXCLUDING DOOR LOCK AND ALL HARDWARE. EXAMPLE: FROM FRONT DOOR TO REAR AIR INTAKE COVER.
- 1.3 COLOR: MGE LIGHT GRAY (RAL 9002)
- 1.4 A PHILLIPS SCREWDRIVER IS REQUIRED TO REMOVE PANELS.
- 1.5 OPERATING TEMPERATURE: 86°F (30°C) MAX. RECOMMENDED OPERATING 77°F (25°C).
- 1.6 REFER TO DOCUMENT NO. 9-00038-00 FOR CABLE PREPARATION PROCEDURE FOR FIELD WIRING.
- 1.7 ALL EXTERNAL WIRING SUPPLIED AND CONNECTED BY CUSTOMER. FOLLOW ALL APPLICABLE NEC AND LOCAL ELECTRICAL CODES.
- 1.8 POWER CABLES SHALL BE IN SEPARATE CONDUITS FROM CONTROL AND COMMUNICATION CABLES.
- 1.9 NO REAR ACCESS REQUIRED: 2.0" REAR CLEARANCE REQUIRED WITH SEISMIC BRACKETS OR 0.5" WITHOUT SEISMIC BRACKETS.
- 1.10 FOR ATTACHED MBC: CABINET SHIPPED WITHOUT SIDE PANELS AND SIDE AIR INTAKE COVERS. USE SIDE PANELS AND AIR INTAKE COVERS FROM UPS FOR THIS CABINET IN SYSTEM LINE-UP.
- 1.11 CABINET WEIGHT: 1350LBS
CENTER OF GRAVITY FROM LOWER FRONT CORNER.

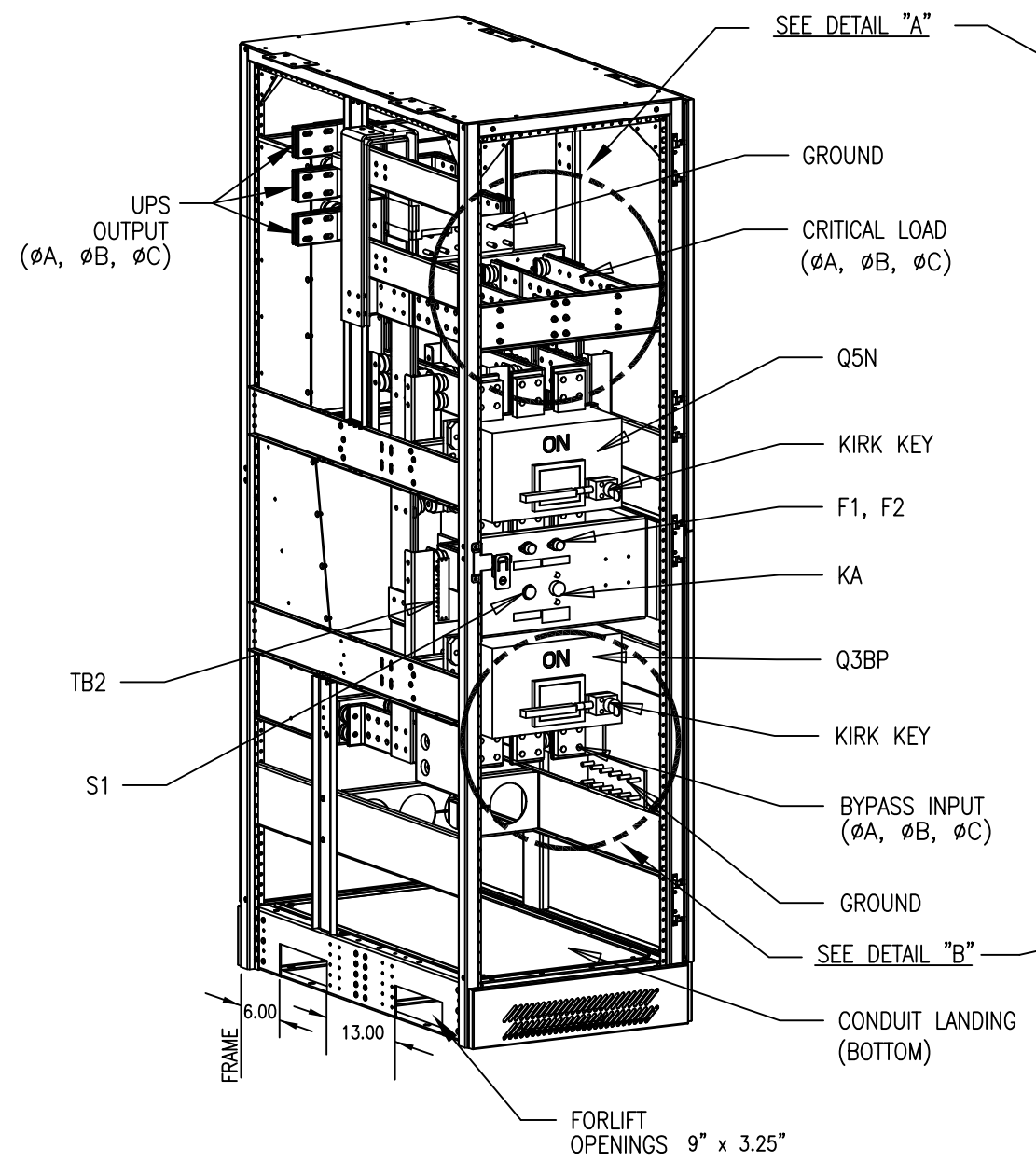
X (WIDTH)	12.0"
Y (HEIGHT)	48.7"
Z (DEPTH)	17.5"

FLOOR LOADING: 217LBS/FT²
- 1.12 FOR INTERCONNECTION WITH UPS, REFER TO SYSTEM INSTALLATION DRAWING NO. 90-135051-XX.

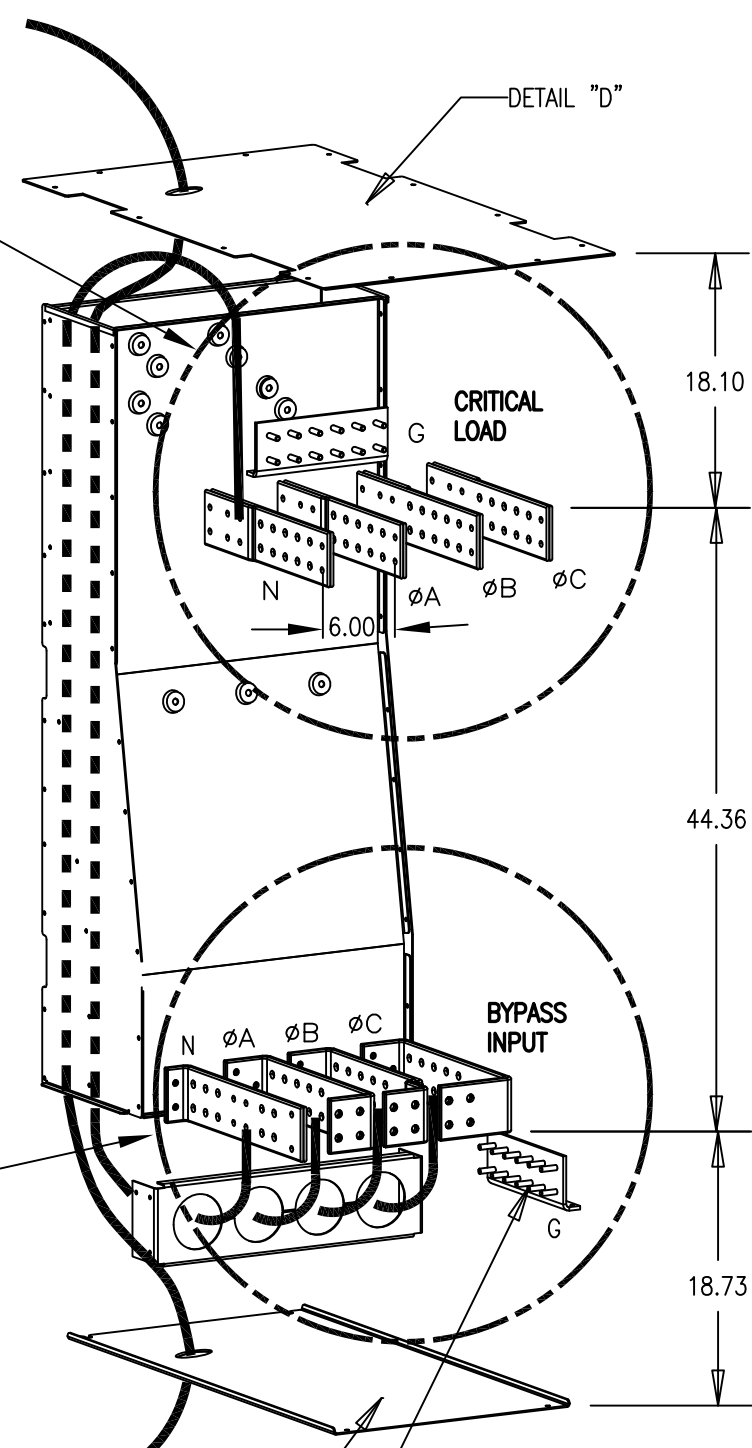
NOTES: UNLESS OTHERWISE SPECIFIED.

CONTRACT NO.		SCHNEIDER ELECTRIC <small>Critical Power & Cooling Service Division 1660 Scenic Avenue Costa Mesa, CA. 92626 U.S.A.</small>			
APPROVALS	DATE	MGE GALAXY EPS8000 1000/1100KVA INSTALLATION DRAWING ATTACHED MAINTENANCE BYPASS CABINET			
DRAWN B.KHOLOUSI	01/29/09				
CHECKED L.A.	01/29/09				
ISSUED L.A.	01/29/09				
DO NOT SCALE DRAWING		SIZE B	CAGE CODE 9L985	DWG NO. 90-135053-00	REV. X2
		SCALE NONE	CAD 90-135053-00_1	SHEET 1 OF 3	

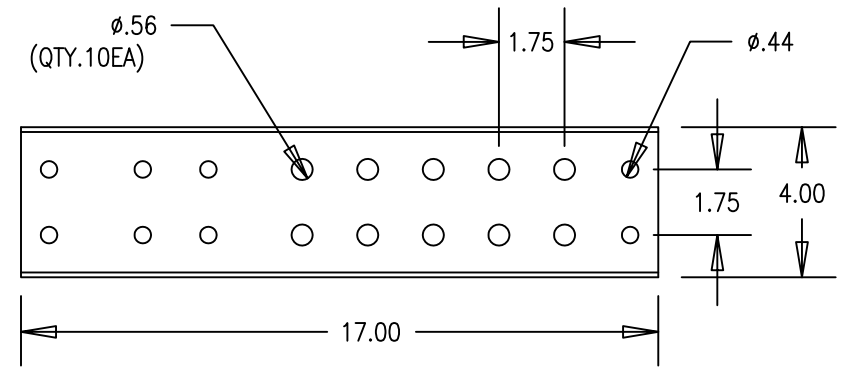
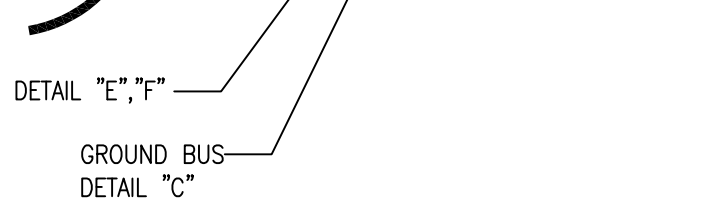
COMPONENT LOCATION



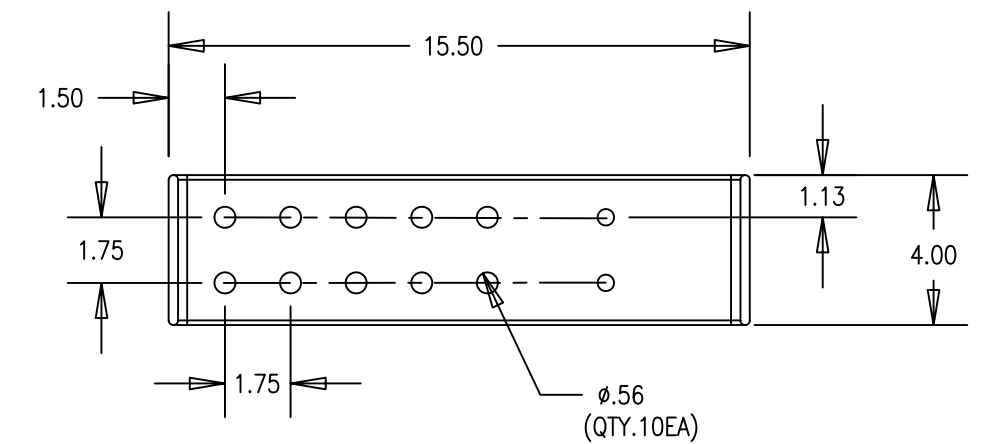
TOP ENTRY



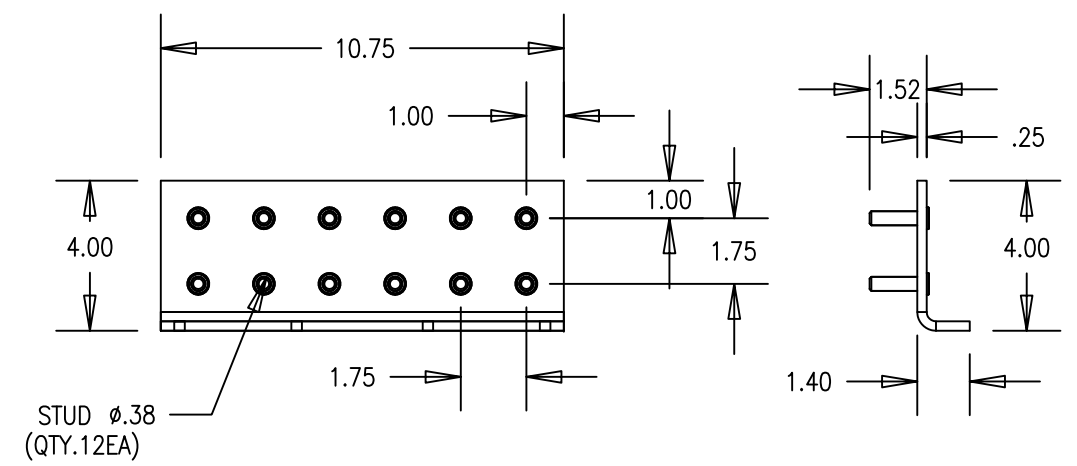
BOTTOM ENTRY



BUSBAR DETAIL "A"

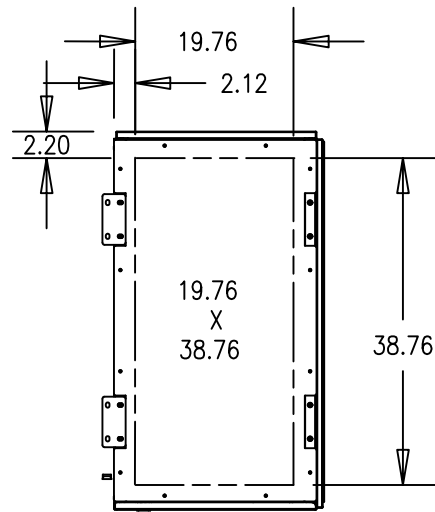


BUSBAR DETAIL "B"

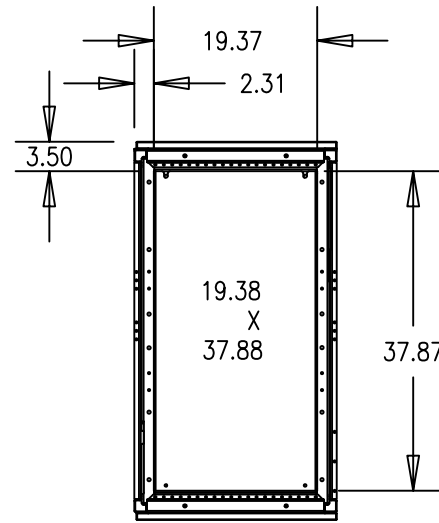


GROUND BUSBAR DETAIL "C"

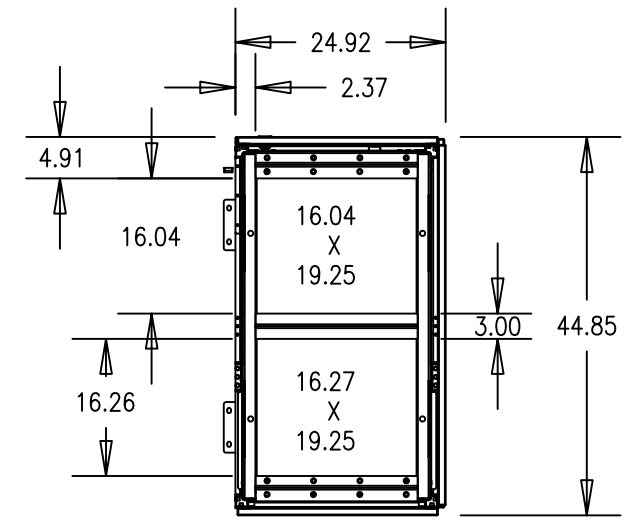
SIZE	CAGE CODE	DWG NO.	REV.
B	9L985	90-135053-00	X2
SCALE	NONE	CAD 90-135053-00_3	SHEET 2 OF 3



TOP ENTRY
CONDUIT LANDING
DETAIL "D"



BOTTOM ENTRY
CONDUIT LANDING
DETAIL "E"



BOTTOM VIEW
DETAIL "F"