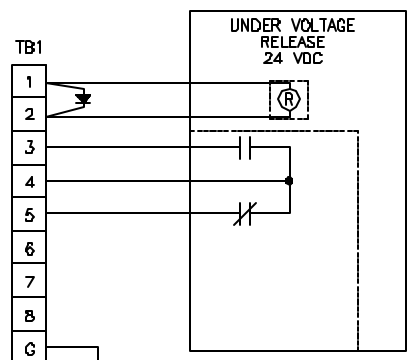
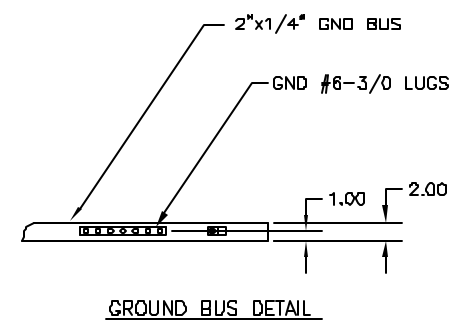
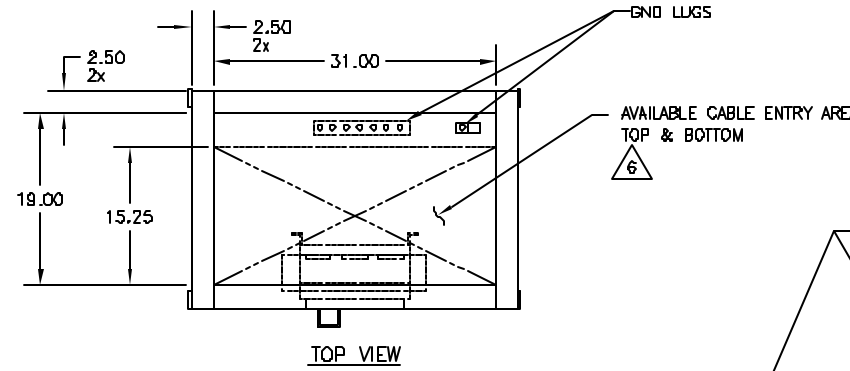
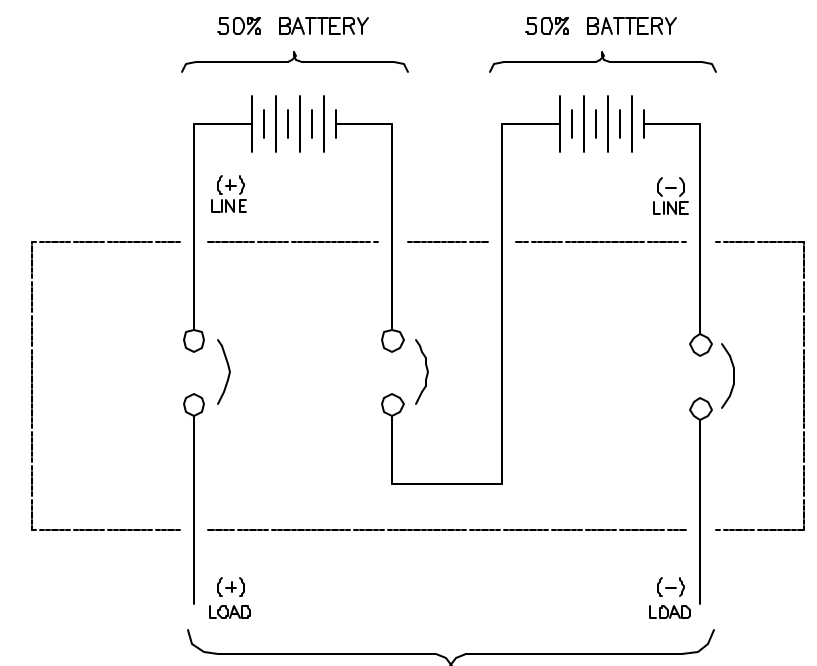
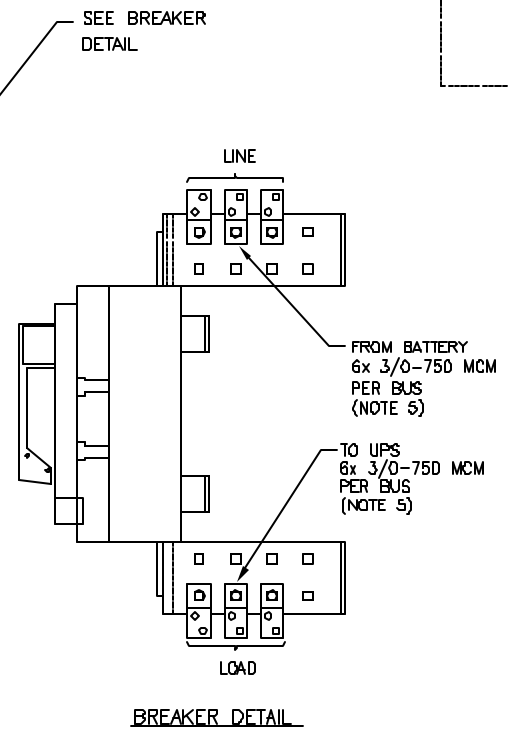
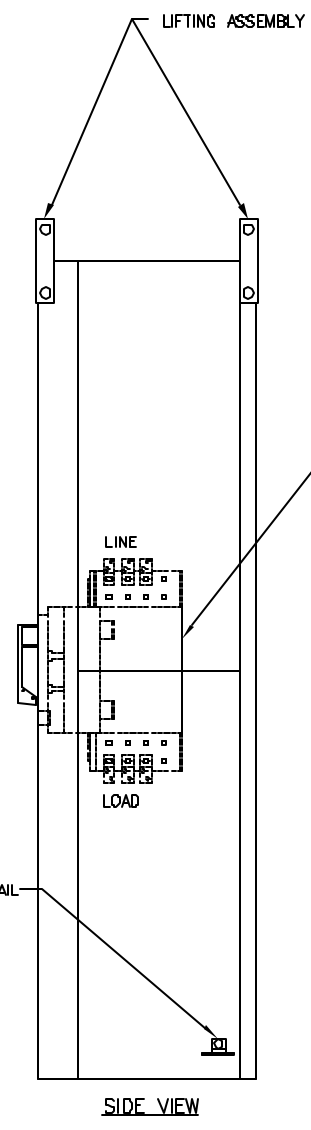
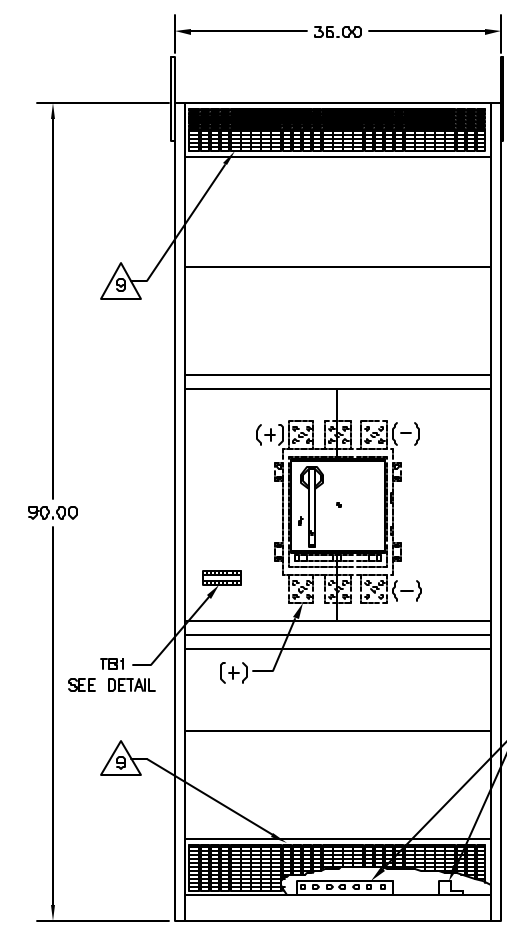


MGE UPS SYSTEMS, INC. CLAIMS PROPRIETARY RIGHTS IN THE MATERIAL DISCLOSED HEREIN. THIS DOCUMENT IS ISSUED FOR ENGINEERING INFORMATION ONLY. IT MAY NOT BE DISCLOSED TO OTHERS NOR MAY IT BE USED FOR MANUFACTURING PURPOSES WITHOUT WRITTEN PERMISSION FROM MGE UPS SYSTEMS, INC.

REVISIONS			
REV	DESCRIPTION	DATE	APPROVED
A00	PRODUCTION RELEASE PER ECN-001266	8/28/00	L.P. GO
B00	UPDATED PER ECN-002492	03/08/02	LPG
C00	UPDATED PER ECN-003121	02/11/03	LPG

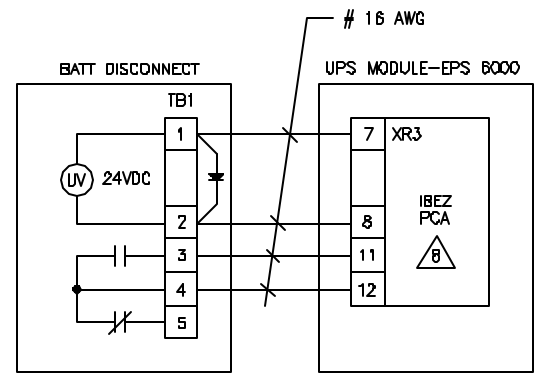


CONTROL TERMINALS  
USE 515 14GA FOR CONTROL WIRES

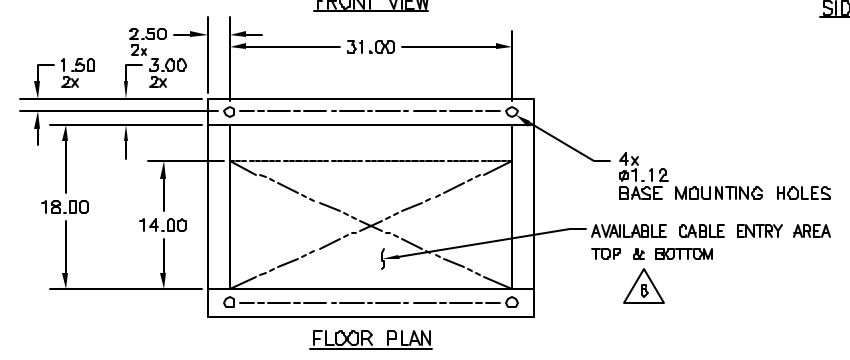


TO UPS MODULE  
SINGLE LINE DIAGRAM

- NOTES:
- UNLESS OTHERWISE SPECIFIED, ALL DIMENSIONS ARE TO THE OUTSIDE EDGE OF THE CABINET, EXCLUDING HARDWARE, CIRCUIT BREAKER, ETC...
  - INDIVIDUALLY ENCLOSED (NEMA 1), THERMAL MAGNETIC, MOLDED CASE CIRCUIT BREAKER, RATED 25KAIC AT 500VDC.
  - COLOR, GRAY (ANSI 48).
  - CONTROL WIRES MUST BE RUN IN INDIVIDUAL CONDUIT SEPARATE FROM POWER WIRES.
  - LUGS, LINE AND LOAD, WILL ACCOMMODATE (36) 3/0-750 MCM COPPER CABLES. TOTAL OF 18 CONNECTIONS ON LINE AND 18 CONNECTIONS ON LOAD.
  - BATTERY DISCONNECT CABINET IS DESIGNED FOR CABLE ENTRY THROUGH TOP OR BOTTOM OF CABINET.
  - APPROXIMATE WEIGHT: 664 LBS.
  - REFER TO UPS INSTL. DWG. FOR LOCATION OF IBEZ PCA.
  - DO NOT BLOCK FRONT VENT OPENINGS.
  - REF ASSY NO. 72-132421-03 1600A  
72-132421-01 2000A



INTERCONNECT DIAGRAM



FLOOR PLAN

<p>UNLESS OTHERWISE SPECIFIED DIMENSIONS ARE IN INCHES AND [MILLIMETERS]. TOLERANCES ARE: DECIMALS [MILLIMETERS] .X=± - X,mm± - .XX=± - X± - .XXX=± - XX=± -</p> <p>ANGLES ± - MATERIAL</p> <p>FINISH</p>	CONTRACT NO.		<p><b>MGE</b> MGE UPS Systems, Inc. UPS SYSTEMS 1660 Scenic Avenue Costa Mesa, CA. 92626 U.S.A.</p>	
	APPROVALS		DATE	
	DRAWN B.KHLOUSI		06/23/00	
	CHECKED YNG		06/23/00	
ISSUED L.P. GO		06/23/00		<p>INSTALLATION DRAWING BATTERY DISCONNECT (MID) 1600A/2000A</p>
DO NOT SCALE DRAWING		SIZE B	CAGE CODE 9L985	DWG NO. 90-132421-01
		SCALE NONE	CAD	REV. C00
				SHEET 1 OF 1