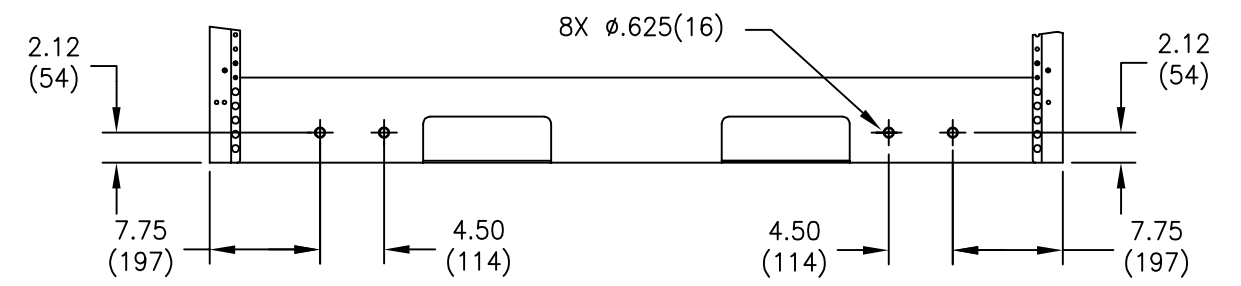
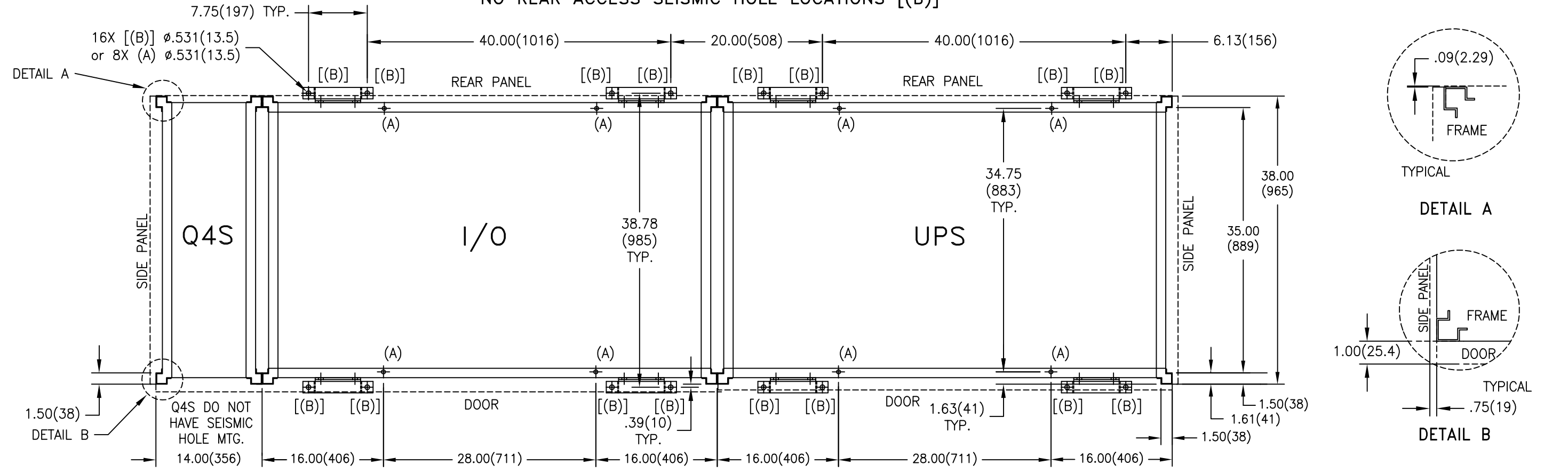


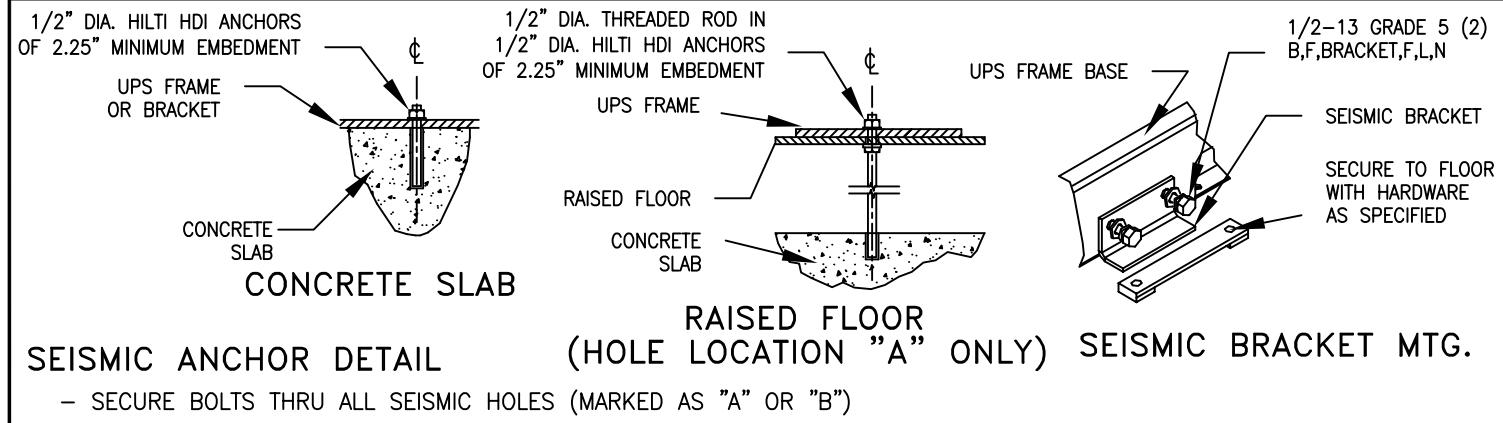
MGE UPS SYSTEMS, INC. CLAIMS PROPRIETARY RIGHTS IN THE MATERIAL DISCLOSED HEREIN. THIS DOCUMENT IS ISSUED FOR ENGINEERING INFORMATION ONLY. IT MAY NOT BE DISCLOSED TO OTHERS NOR MAY IT BE USED FOR MANUFACTURING PURPOSES WITHOUT WRITTEN PERMISSION FROM MGE UPS SYSTEMS, INC.

CABINET ALIGNMENT TEMPLATE (TOP VIEW)
REAR ACCESS SEISMIC HOLE LOCATIONS (A) or
NO REAR ACCESS SEISMIC HOLE LOCATIONS [(B)]

REVISIONS			
REV	DESCRIPTION	DATE	APPROVED
A00	NEW RELEASE	08-25-05	LPG



I/O AND UPS FRAME SEISMIC HOLES TEMPLATE (FRONT & BACK VIEW)



UNLESS OTHERWISE SPECIFIED DIMENSIONS ARE IN INCHES AND [MILLIMETERS]. TOLERANCES ARE: DECIMALS [MILLIMETERS] .X=± .1 X=± 2.54 .XX=± .03 X=± .7 .XXX=± .010 XX=± .25 ANGLES ± 0°30'		CONTRACT NO.		MGE UPS SYSTEMS MGE UPS Systems, Inc. 1660 Scenic Avenue Costa Mesa, CA. 92626 U.S.A.	
APPROVALS		DATE		INSTALLATION SEISMIC BRACKET	
DRAWN YRS		08-25-05			
CHECKED LPG		08-25-05			
ISSUED LPG		08-25-05			
DO NOT SCALE DRAWING		SIZE B	CAGE CODE 9L985	DWG NO. 90-132252-99	REV. A00
		SCALE NONE	CAD	SHEET 1 OF 1	