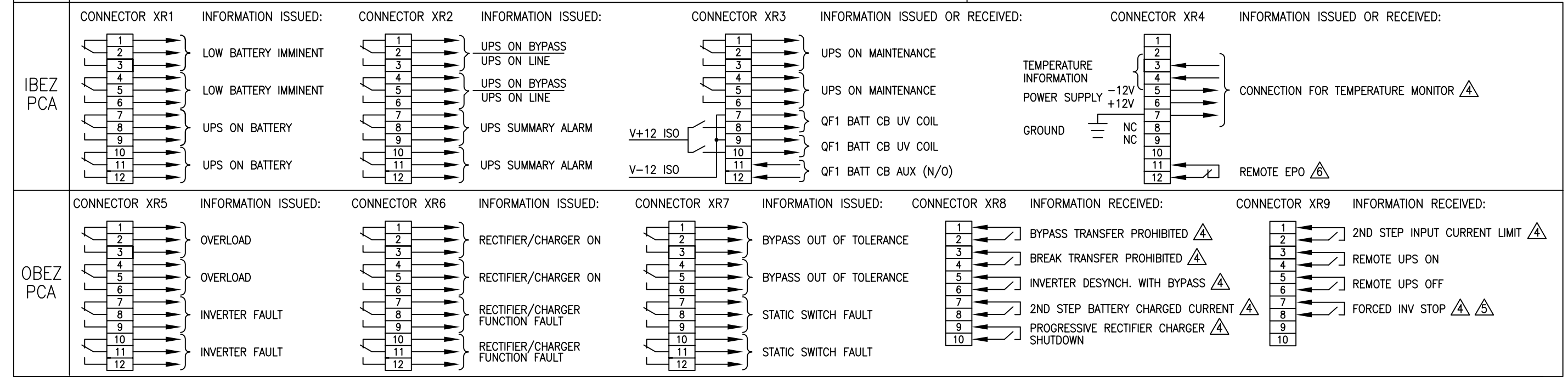
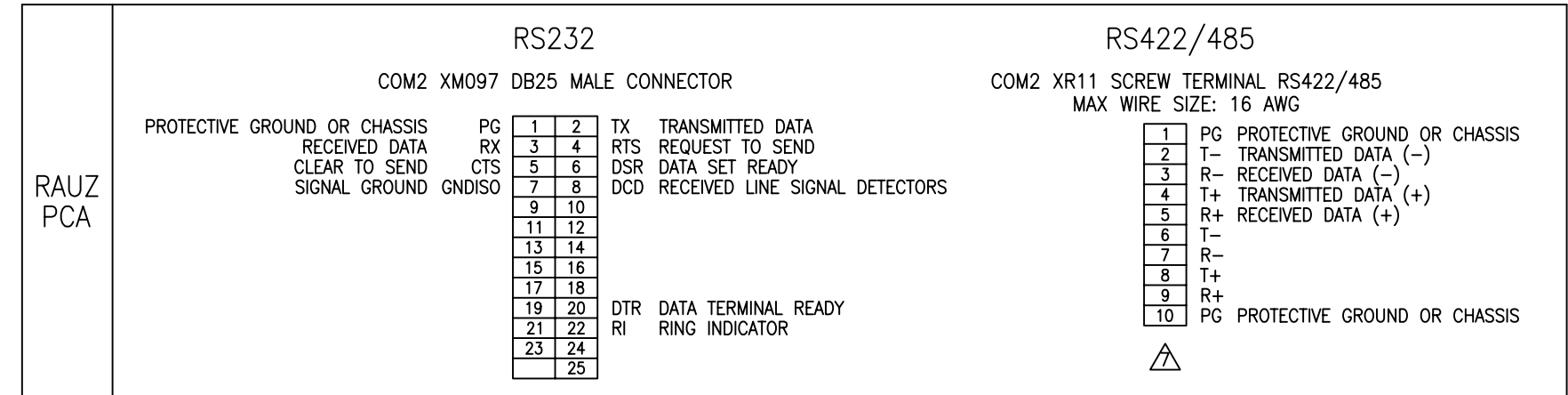


ALL TECHNICAL INFORMATION CONTAINED IN THIS DOCUMENT IS THE EXCLUSIVE PROPERTY OF SCHNEIDER ELECTRIC INDUSTRIES SAS AND MAY NEITHER BE USED NOR DISCLOSED WITHOUT ITS PRIOR WRITTEN CONSENT.

REVISIONS			
REV	DESCRIPTION	DATE	APPROVED
A00	NEW RELEASE ECN-004188	7/25/05	LPG VNE
A01	REVISED PER ECN 005684	12/17/07	D.L.
A02	CORRECTED ERRORS	02/11/08	SD/ DV
A03	ADDED UPS TO TITLE	1/05/09	SD/ DV



- 8. +24 VDC OUTPUT ON XR8, XR9.
 - ⚠ REQUIRES SWITCH SETTING BY FACTORY OR FIELD ENGINEER. FOR DETAILED INSTALLATION, CONSULT FACTORY.
 - Ⓜ REMOVE EXISTING JUMPER WHEN REMOTE EPO IS INSTALLED.
 - Ⓢ REQUIRES UPS PERSONALIZATION OF AUX CONTACT. (OBEZ) 1-UPS FORCED INVERTER STOP
 - Ⓛ REQUIRES ENABLING AT THE FACTORY, OR BY FIELD ENGINEER ON SITE.
 - 3. INFORMATION ISSUED: →
INFORMATION RECEIVED: ←
 - 2. RECEIVED CONTACTS MUST BE DRY, RATED: 250 VAC AT 5 AMPS ON XR1, XR2, XR3, XR5, XR6, XR7.
 - 1. CONTACTS SHOWN WITH ALL POWER OFF
- NOTES:

CONTRACT NO.		SCHNEIDER ELECTRIC <small>Critical Power & Cooling Service Division 1660 Scenic Avenue Costa Mesa, CA. 92626 U.S.A.</small>			
APPROVALS	DATE	UPS COMMUNIIATION BOARDS AUXILIARY WIRING INFORMATION IBEZ, OBEZ, RAUZ PCAs			
DRAWN LPG	7/25/05				
CHECKED VNE	7/25/05				
ISSUED LNA	7/25/05				
DO NOT SCALE DRAWING		SIZE B	CAGE CODE 9L985	DWG NO. 93-132224-00	REV. A03
		SCALE NONE	CAD 93-132224-00	SHEET 1 OF 1	