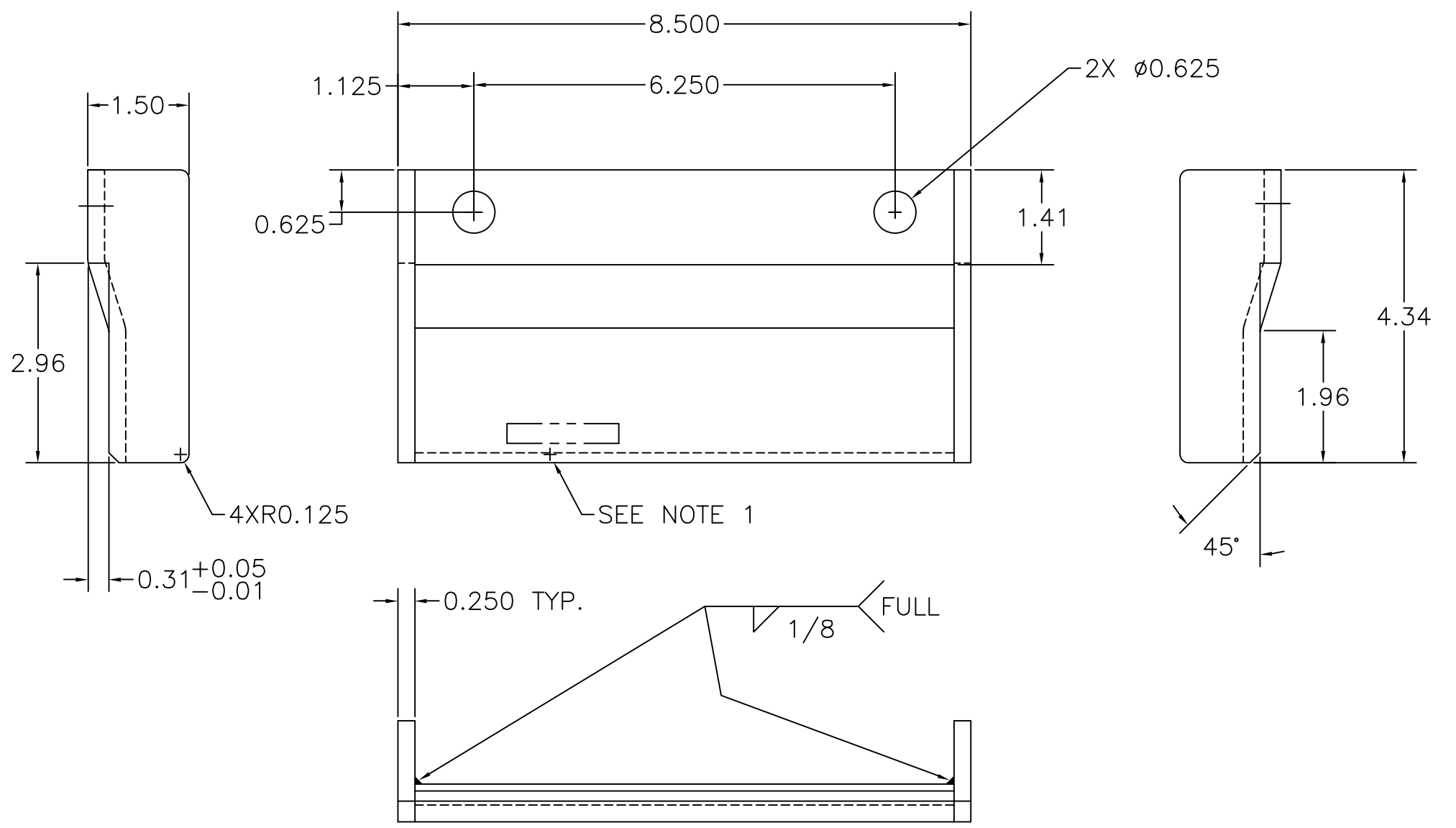


MGE UPS SYSTEMS, INC. CLAIMS PROPRIETARY RIGHTS IN THE MATERIAL DISCLOSED HEREIN. THIS DOCUMENT IS ISSUED FOR ENGINEERING INFORMATION ONLY. IT MAY NOT BE DISCLOSED TO OTHERS NOR MAY IT BE USED FOR MANUFACTURING PURPOSES WITHOUT WRITTEN PERMISSION FROM MGE UPS SYSTEMS, INC.

REVISIONS			
REV	DESCRIPTION	DATE	APPROVED
A00	NEW RELEASE PER ECN-004402	05/26/05	VNE



- NOTES:
1. STAMP PART NO. AND REVISION WHERE SHOWN .12 HIGH.
 2. REMOVE ALL BURRS AND SHARP EDGES.
 3. ALL FORMED DIMENSIONS ARE TO OUTSIDE SURFACES.

UNLESS OTHERWISE SPECIFIED DIMENSIONS ARE IN INCHES AND [MILLIMETERS]. TOLERANCES ARE: DECIMALS [MILLIMETERS] .X=± .1 X=± 2.54 .XX=± .03 X=± .7 .XXX=± .010 XX=± .25 ANGLES ± 0°30' MATERIAL 1/4" Steel FINISH PMS, BLACK 3C	CONTRACT NO.		MGE UPS SYSTEMS MGE UPS Systems, Inc. 1660 Scenic Avenue Costa Mesa, CA. 92626 U.S.A.		
	APPROVALS		DATE		
	DRAWN	V. N.EALEY	05/06/05		
	CHECKED	V.N.EALEY	05/06/05		
ISSUED	V.N.EALEY	05/06/05		SEISMIC BRACKET EPS 7000 & 8000	
DO NOT SCALE DRAWING		SIZE	CAGE CODE		DWG NO.
		B	9L985	71-134453-00	REV. A00
		SCALE	1/2	CAD Agile: D71-134453-00	SHEET 1 OF 1