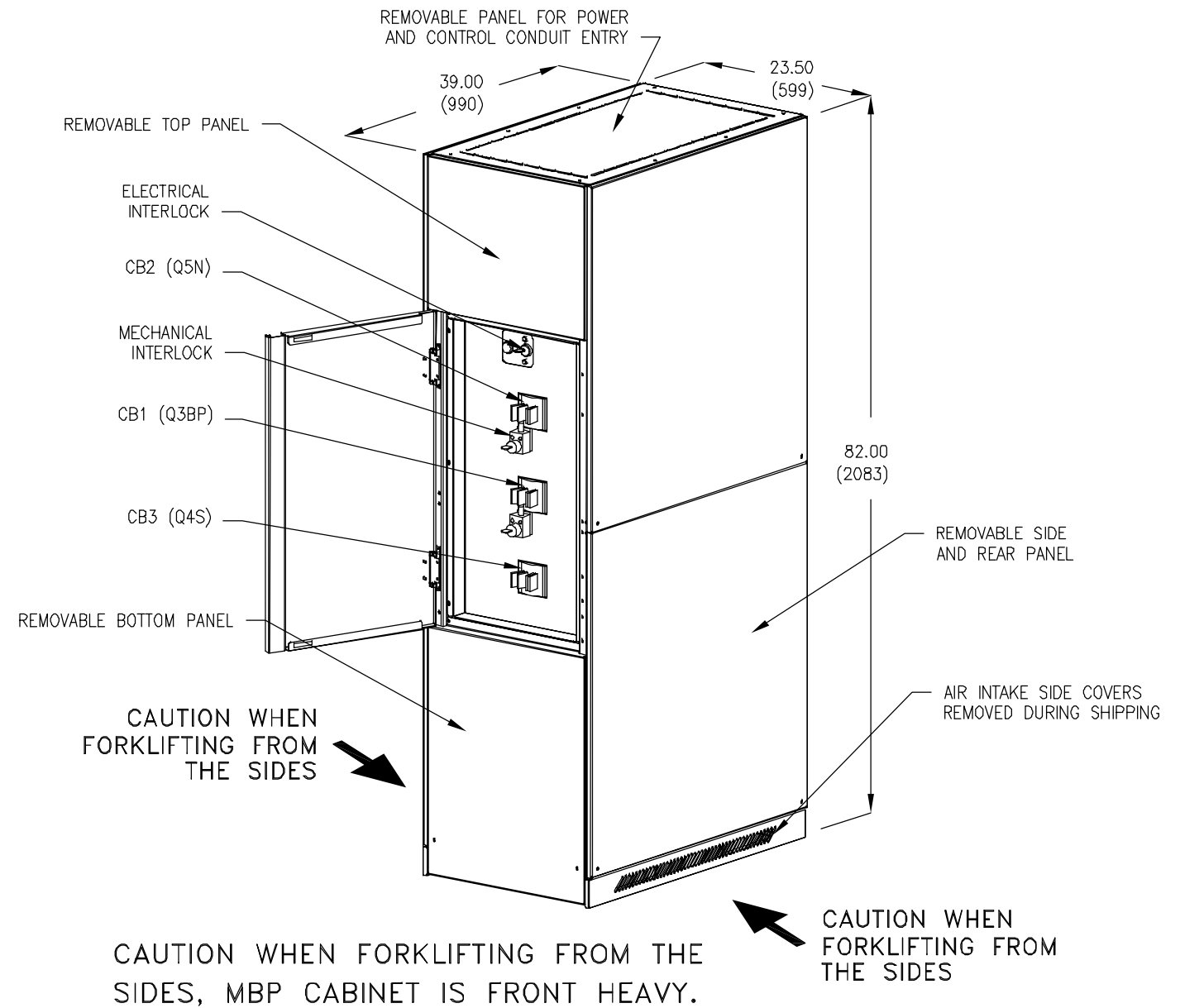
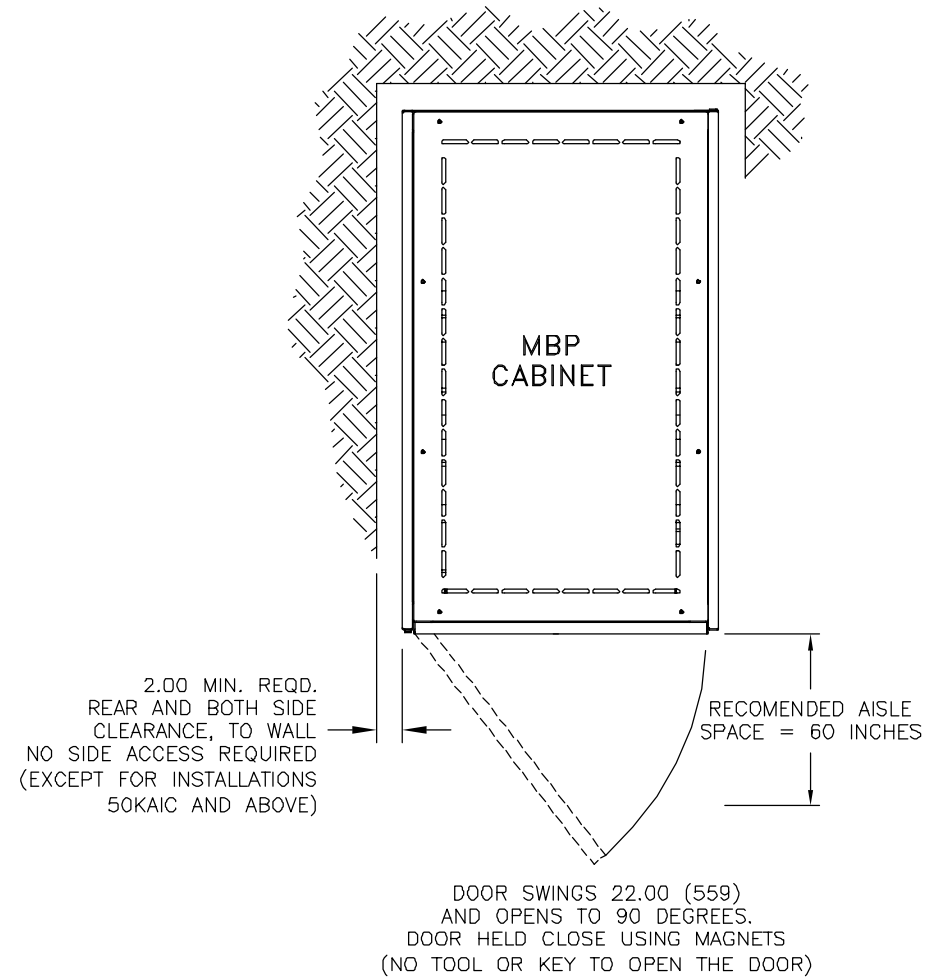


MGE UPS SYSTEMS, INC. CLAIMS PROPRIETARY RIGHTS IN THE MATERIAL DISCLOSED HEREIN. THIS DOCUMENT IS ISSUED FOR ENGINEERING INFORMATION ONLY. IT MAY NOT BE DISCLOSED TO OTHERS NOR MAY IT BE USED FOR MANUFACTURING PURPOSES WITHOUT WRITTEN PERMISSION FROM MGE UPS SYSTEMS, INC.

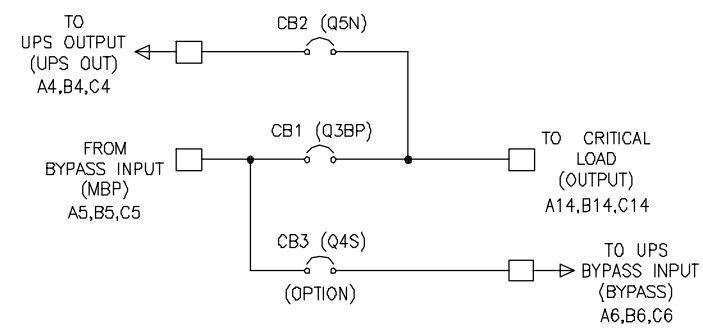
| REVISIONS | | | |
|-----------|------------------------|----------|----------|
| REV | DESCRIPTION | DATE | APPROVED |
| A00 | NEW RELEASE ECN-004072 | 09/22/04 | LNA |
| B00 | REVISED PER ECN-004391 | 05/17/05 | LG |



- DIMENSIONING FORMAT IS INCHES (mm).
- A PHILIPS SCREWDRIVER IS REQUIRED TO REMOVE EXTERNAL PANELS.
- COLOR: MGE LIGHT GRAY (RAL9002).
- OPERATING TEMPERATURE: 32°F(0°C) MIN. TO 104°F(40°C) MAX. RECOMMENDED OPERATING RANGE: 6°F(-14.4°C) MIN. TO 104°F(40°C) MAX.
- AIR EXHAUST: NEGLIGIBLE.
- HEAT GENERATED: NEGLIGIBLE.
- REFER TO MGE DOCUMENT NO. 9-00038-00 FOR CABLE PREPARATION PROCEDURE FOR FIELD. REFER TO MGE DOCUMENT NO. 90-132253-00 FOR INSTALLATIONS 50KAIC AND ABOVE.
- WEIGHT: 600 LBS (273KG),
- UNLESS OTHERWISE SPECIFIED. ALL DIMENSIONS ARE TO THE OUTSIDE EDGE OF ENCLOSURE, EXCLUDING HARDWARE, LOCKS, KEYS, CB HANDLE, ETC.
- AVAILABLE RATING: 800A, REFERENCE ASSY. #72-132426-77 (65KAIC), 132426-78 (NO RATED).

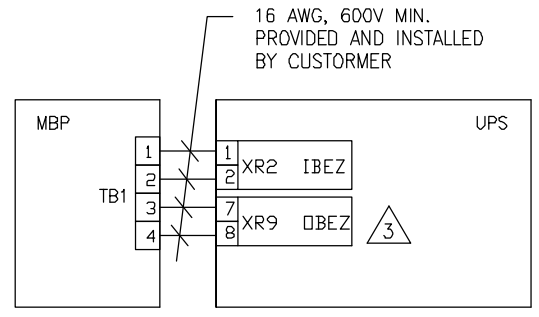
NOTES: UNLESS OTHERWISE SPECIFIED

| | | | | | |
|--|--------------|------|---|--|--------------|
| UNLESS OTHERWISE SPECIFIED DIMENSIONS ARE IN INCHES AND [MILLIMETERS]. TOLERANCES ARE: DECIMALS [MILLIMETERS] .X=± .1 X=± .XX=± .03 .X=± .XXX=± .XX=± | CONTRACT NO. | | MGE UPS Systems, Inc. 1660 Scenic Avenue Costa Mesa, CA. 92626 U.S.A. | | |
| | APPROVALS | DATE | | | |
| | DRAWN | H.DO | 09/22/04 | INSTALLATION DRAWING MAINTENANCE BYPASS CAB., REMOTE EPS7000 | |
| | CHECKED | LPG | 09/22/04 | | |
| FINISH | ISSUED | LNA | 09/22/04 | SIZE B CAGE CODE 9L985 DWG NO. 90-134053-00 REV. B00 | |
| DO NOT SCALE DRAWING | | | SCALE NONE | CAD | SHEET 1 OF 2 |

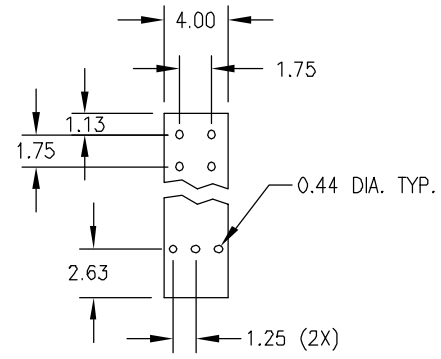


SINGLE LINE DIAGRAM

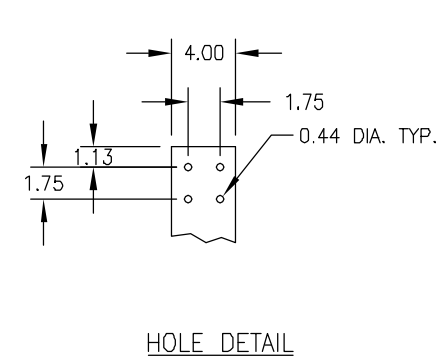
TEXT IN PARENTHESIS REFERS TO TERMINAL LABEL



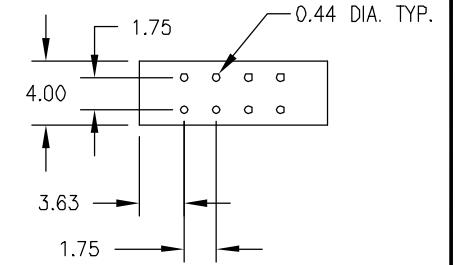
CONTROL CONNECTION



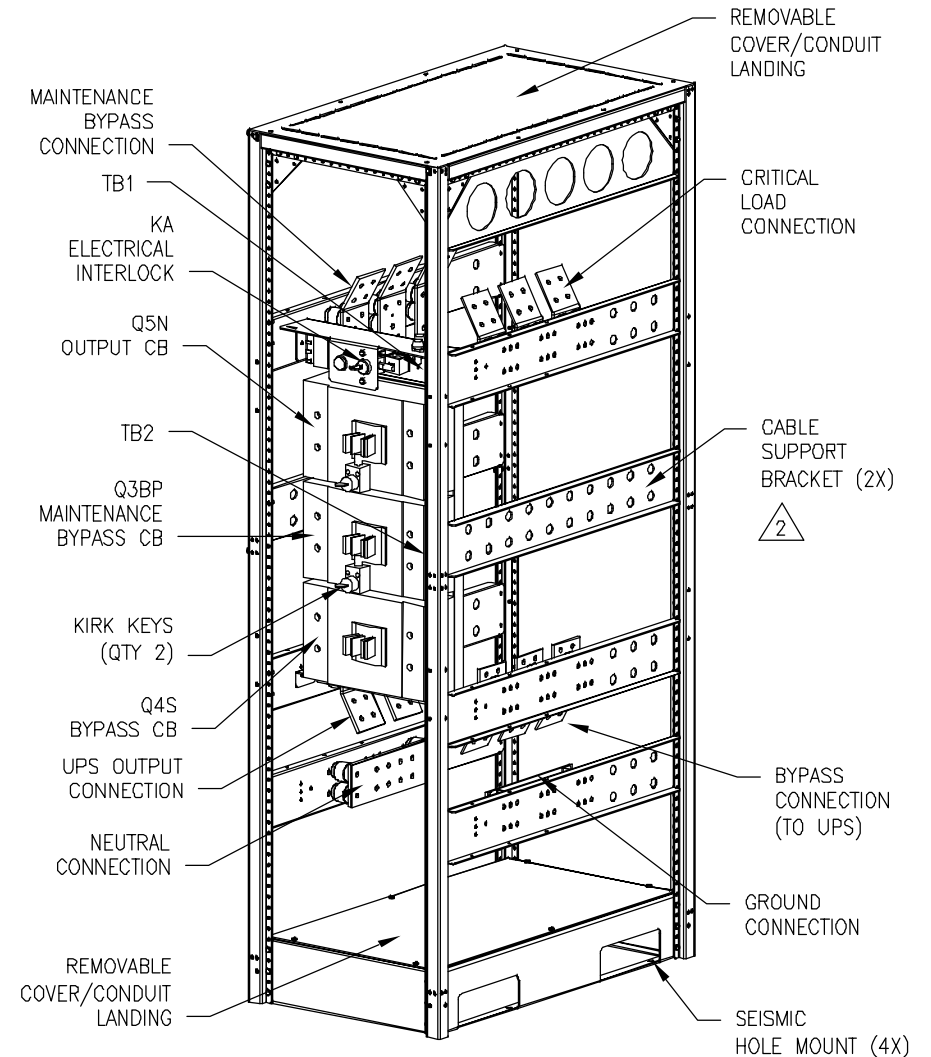
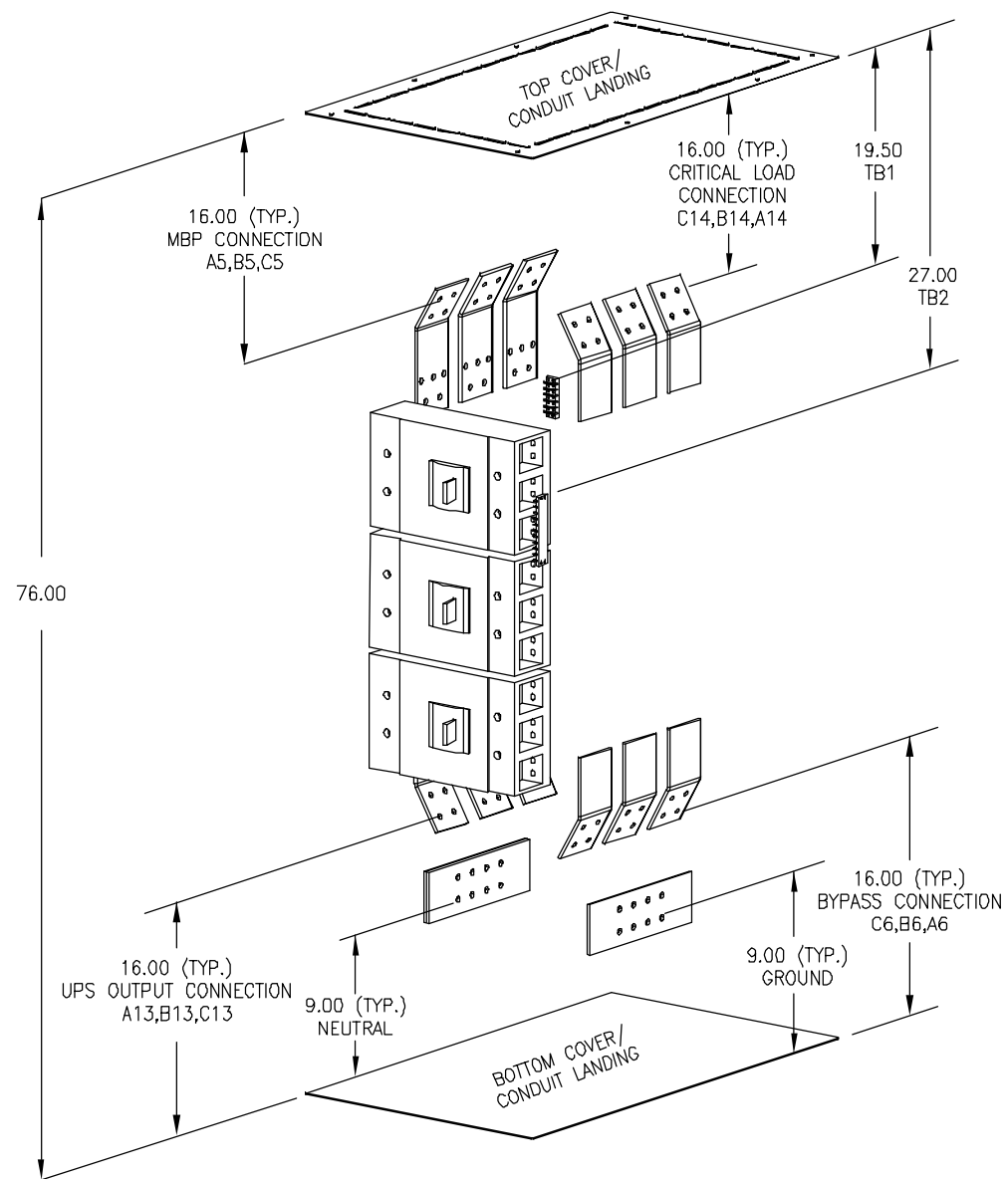
1 HOLE DETAIL MBP CONNECTIONS



HOLE DETAIL CRITICAL LOAD/BYPASS/UPS CONNECTIONS



HOLE DETAIL NEUTRAL/GROUND



COMPONENT LOCATION SHOWN WITH DOORS AND PANELS REMOVED FOR CLARITY

- NOTES:
- 1 AVAILABLE CABLE LANDING MAY NOT BE ADEQUATE TO SUPPORT QUANTITIES OF CABLE FOR SINGLE FEED. IN THIS CASE DUAL FEED SHALL ORIGINATE FROM CUSTOMER SOURCE.
 - 2 REFER TO DOCUMENT NO. 90-132253-00 FOR CABLE RESTRAINT SYSTEM 50KAIC AND ABOVE.
 - 3 REQUIRES UPS PERSONALIZATION OF AUX CONTACT (OBEZ) 1=UPS FORCED INVERTER STOP

| | | | |
|-------|-----------|--------------|---------|
| SIZE | CAGE CODE | DWG NO. | REV. |
| B | 9L985 | 90-134053-00 | B00 |
| SCALE | NONE | CAD | SHEET 2 |