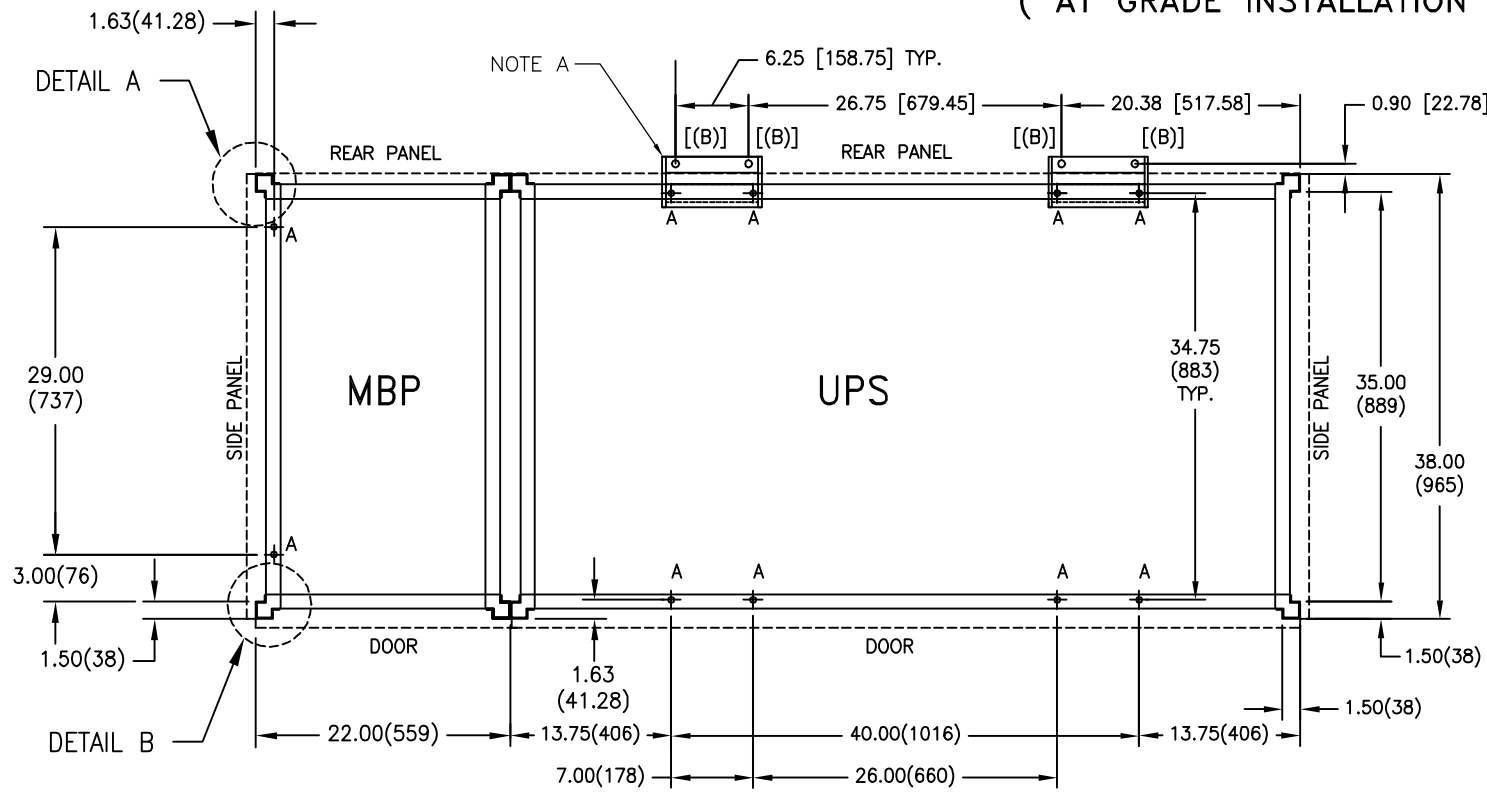


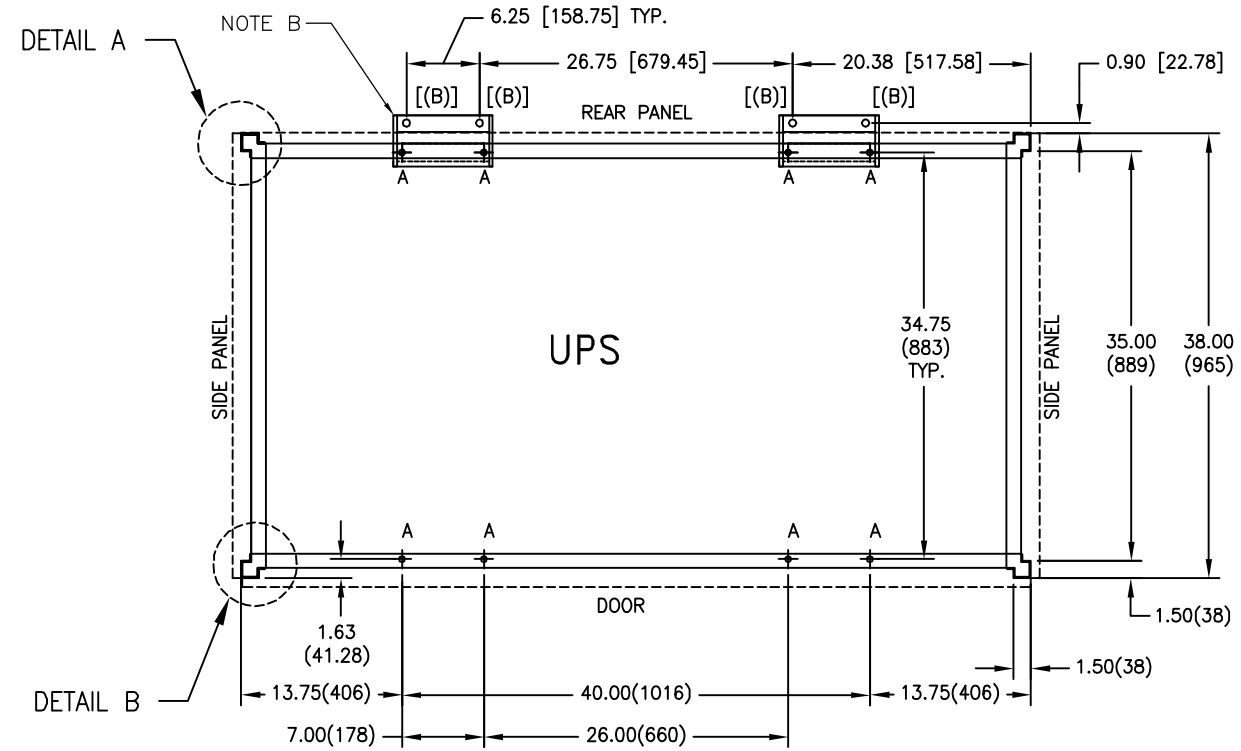
MGE UPS SYSTEMS, INC. CLAIMS PROPRIETARY RIGHTS IN THE MATERIAL DISCLOSED HEREIN. THIS DOCUMENT IS ISSUED FOR ENGINEERING INFORMATION ONLY. IT MAY NOT BE DISCLOSED TO OTHERS NOR MAY IT BE USED FOR MANUFACTURING PURPOSES WITHOUT WRITTEN PERMISSION FROM MGE UPS SYSTEMS, INC.

CABINET ALIGNMENT TEMPLATE (TOP VIEW)  
 REAR AND SIDE ACCESS SEISMIC HOLE LOCATIONS (A) or  
 NO REAR ACCESS SEISMIC HOLE LOCATIONS [(B)]  
 ( AT GRADE INSTALLATION ONLY )

REVISIONS			
REV	DESCRIPTION	DATE	APPROVED
A00	NEW RELEASE	05-16-06	LPG

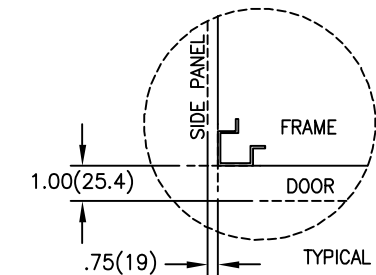
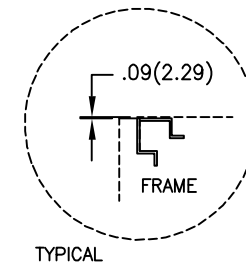


CONFIGURATION 'A'  
(NOTE A)



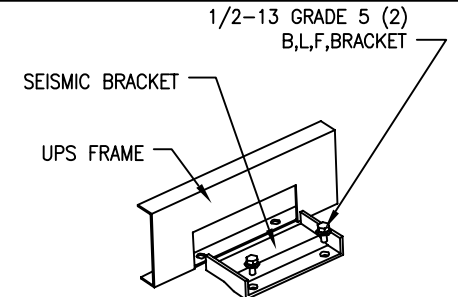
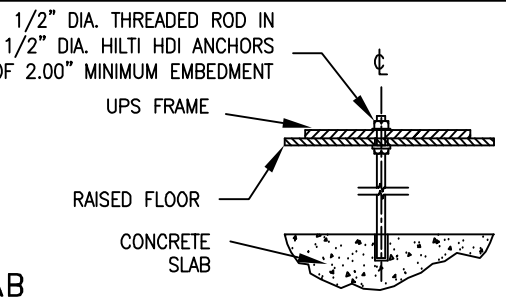
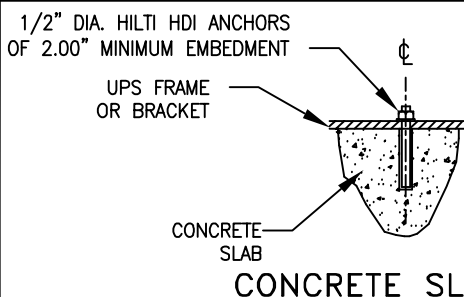
CONFIGURATION 'B'  
(NOTE B)

- NOTE:
- A. USE 10X (A) Ø.531(13.49) FOR REAR AND SIDE ACCESS OR USE 4X [(B)] Ø.625(15.87) AND 6X (A) Ø.531(13.49) FOR NO REAR ACCESS INSTALLATION.
  - B. USE 8X (A) Ø.531(13.49) FOR REAR ACCESS OR USE 4X [(B)] Ø.625(15.87) AND 4X (A) Ø.531(13.49) FOR NO REAR ACCESS INSTALLATION.
  - C. USE 14X (A) Ø.531(13.49) FOR REAR AND SIDE ACCESS OR USE 4X [(B)] Ø.625(15.87) AND 8X (A) Ø.531(13.49) FOR NO REAR ACCESS INSTALLATION.



DETAIL B

DETAIL B



SEISMIC ANCHOR DETAIL  
 - SECURE BOLTS THRU ALL SEISMIC HOLES (MARKED AS "A" OR "B")

UNLESS OTHERWISE SPECIFIED DIMENSIONS ARE IN INCHES AND [MILLIMETERS].  
 TOLERANCES ARE:  
 DECIMALS [MILLIMETERS]  
 .X=± .1 X=± 2.54  
 .XX=± .03 X=± .7  
 .XXX=± .010 X=± .25  
 ANGLES ± 0°30'  
 MATERIAL  
 FINISH

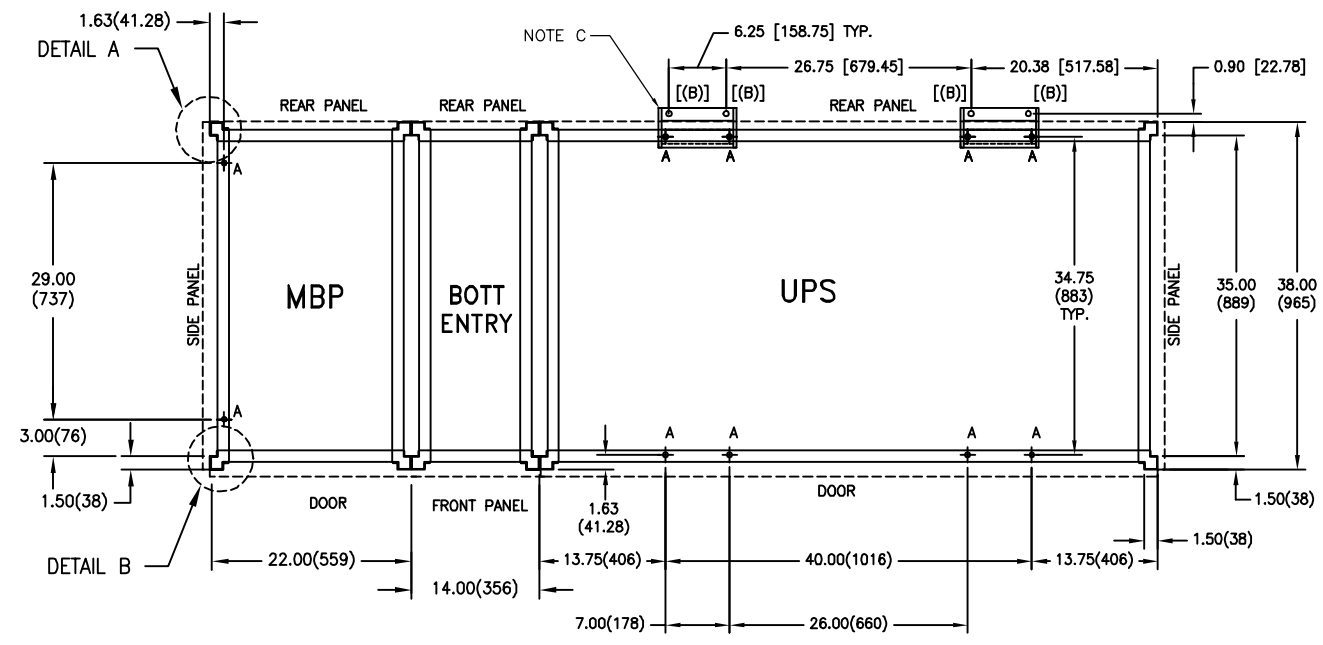
CONTRACT NO.	
APPROVALS	DATE
DRAWN LPG	05-16-06
CHECKED LNA	05-16-06
ISSUED LNA	05-16-06
DO NOT SCALE DRAWING	

**MGE UPS SYSTEMS** MGE UPS Systems, Inc.  
 1660 Scenic Avenue  
 Costa Mesa, CA. 92626 U.S.A.

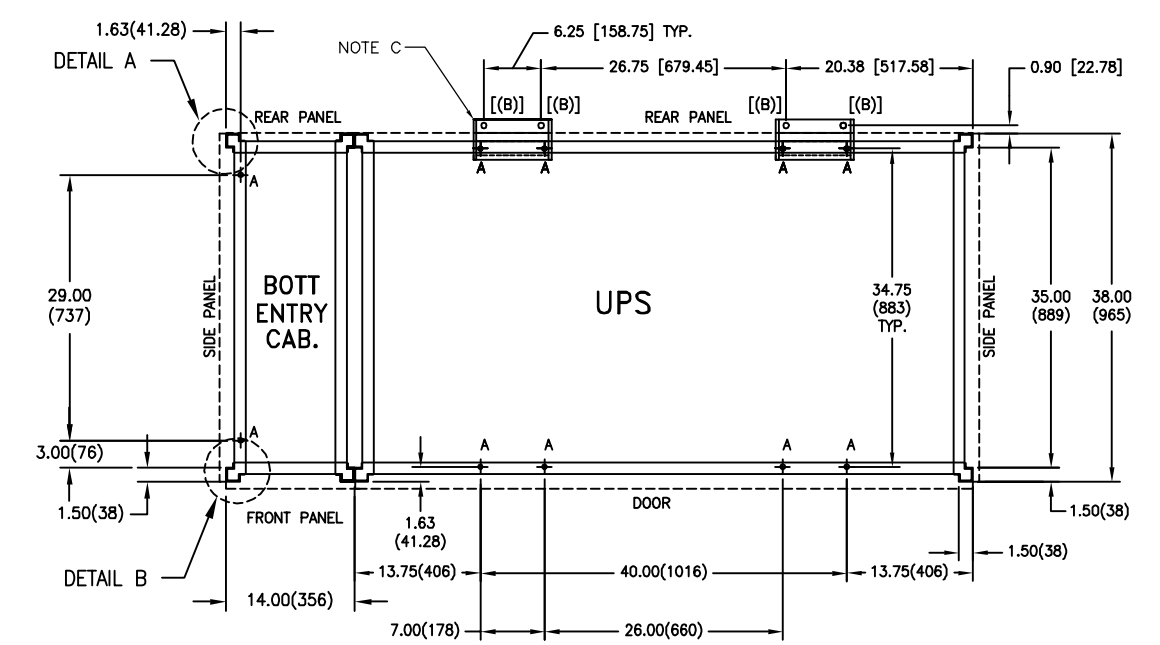
INSTALLATION SEISMIC BRACKET  
 EPS 7000

SIZE B	CAGE CODE 9L985	DWG NO. 90-134051-99	REV. A00
SCALE NONE	CAD	SHEET 1 OF 1	

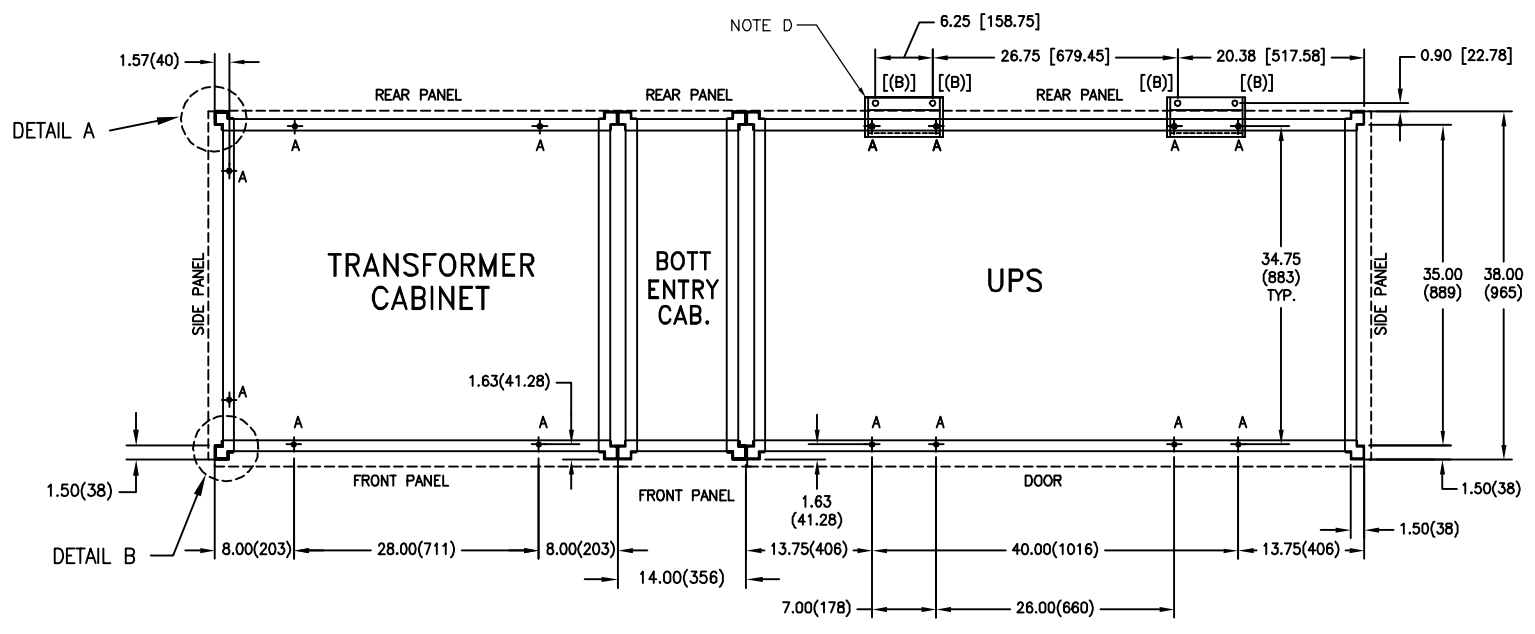
CABINET ALIGNMENT TEMPLATE (TOP VIEW)  
 REAR AND SIDE ACCESS SEISMIC HOLE LOCATIONS (A) or  
 NO REAR ACCESS SEISMIC HOLE LOCATIONS [(B)]  
 ( AT GRADE INSTALLATION ONLY )



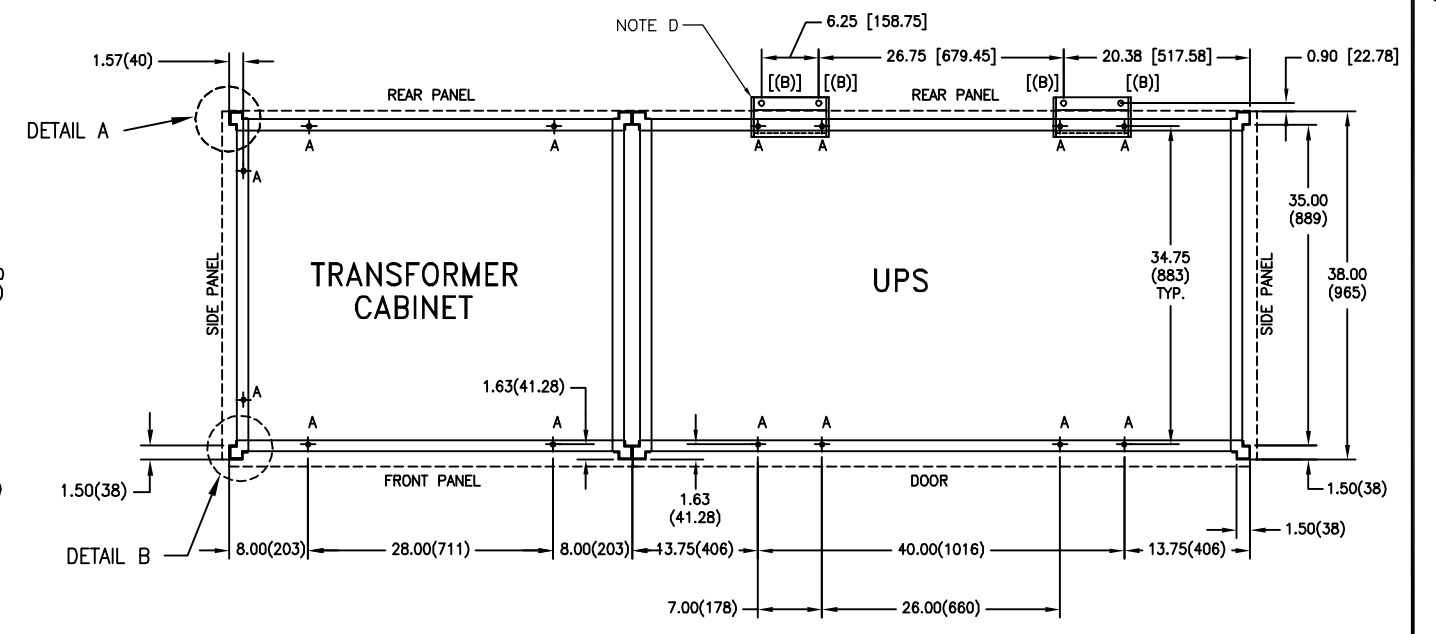
CONFIGURATION 'C'  
(NOTE A)



CONFIGURATION 'D'  
(NOTE A)



CONFIGURATION 'E'  
(NOTE C)



CONFIGURATION 'F'  
(NOTE C)

SIZE	CAGE CODE	DWG NO.	REV.
B	9L985	90-134051-99	A00
SCALE	NONE	CAD	SHEET 2