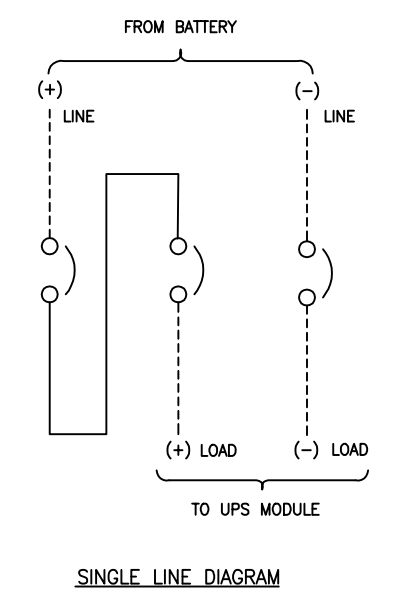
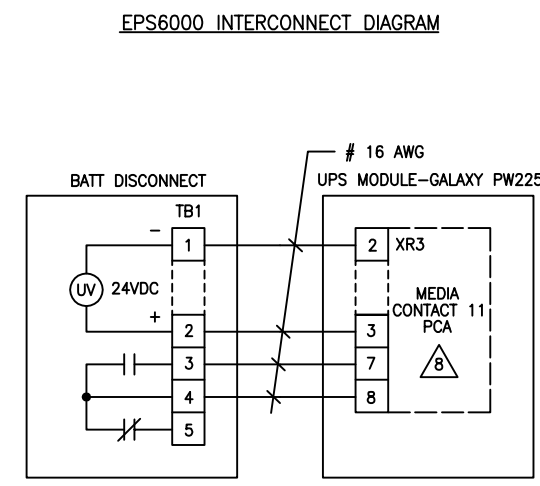
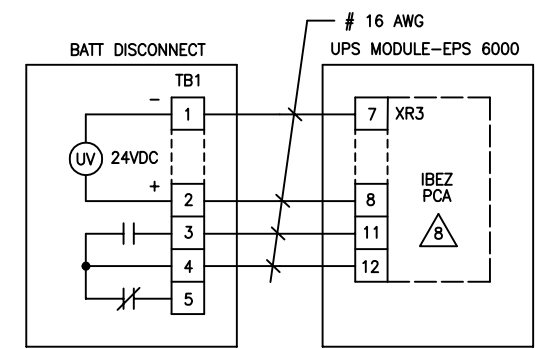


NOTE:
*- WALL MOUNTING DIMENSIONS

DWG NO.		SH	REV.	
90-130146-00		1	A04	
REVISIONS				
ZONE	REV	DESCRIPTION	DATE	APPROVED
	A00	NEW RELEASE ECN #253-82	11-02-93	H SURI
	A01	REVISED PER ECN #255-62	02-05-94	BK SURI
	A02	REVISED PER ECN #278-89	10/17/95	RR
	A03	CHANGED NOTE 5 ECN #291-35	01-27-98	DF
	A04	ADDED INFO FOR PW225 ECN-002696	06/21/02	LPG



- NOTES:
- UNLESS OTHERWISE SPECIFIED, ALL DIMENSIONS ARE TO THE OUTSIDE EDGE OF THE CABINET, EXCLUDING HARDWARE, CIRCUIT BREAKER, ETC...
 - INDIVIDUALLY ENCLOSED (NEMA 1), THERMAL MAGNETIC, MOLDED CASE CIRCUIT BREAKER, RATED 20KAIC AT 500VDC.
 - COLOR, GRAY (ANSI 49).
 - CONTROL WIRES MUST BE RUN IN INDIVIDUAL CONDUIT SEPARATE FROM POWER WIRES.
 - LUGS, LINE AND LOAD, WILL ACCOMMODATE THREE(3) 3/0-500 MCM CU WIRES FOR 500A,700A AND 800A. FOR 1200A WILL ACCOMMODATE (4) 1/0-350 MCM CU WIRES
 - BATTERY DISCONNECT CABINET IS DESIGNED FOR CABLE ENTRY THROUGH TOP OR BOTTOM OF CABINET.
 - APPROXIMATE WEIGHT: 157 LBS.
 - REFER TO UPS INSTL. DWG. FOR LOCATION OF IBEZ PCA OR MEDIA CONTACT 11.
 - DO NOT BLOCK FRONT VENT OPENINGS ON 1200 A DISCONNECT ONLY.

UNLESS OTHERWISE SPECIFIED DIMENSIONS ARE IN INCHES AND [MILLIMETERS]. TOLERANCES ARE:		CONTRACT NO.		MGE UPS Systems, Inc. 1660 Scenic Avenue Costa Mesa, CA. 92626 U.S.A.	
DECIMALS [MILLIMETERS]		APPROVALS			
.X=± .1	X=± 2.54	DRAWN	DATE	INSTALLATION DRAWING BATTERY DISCONNECT 500A/700A/800A/1200A	
.XX=± .03	.X=± .7	CHECKED			
.XXX=± .010	.XX=± .25	ISSUED			
ANGLES ± 0°30'		DO NOT SCALE DRAWING			
MATERIAL		SCALE 1/4.25"=1"		SIZE	CAGE CODE
FINISH		AGILE D90-130146-00		DWG NO.	REV
		SHEET 1 OF 1		D	9L985
				90-130146-00	A04