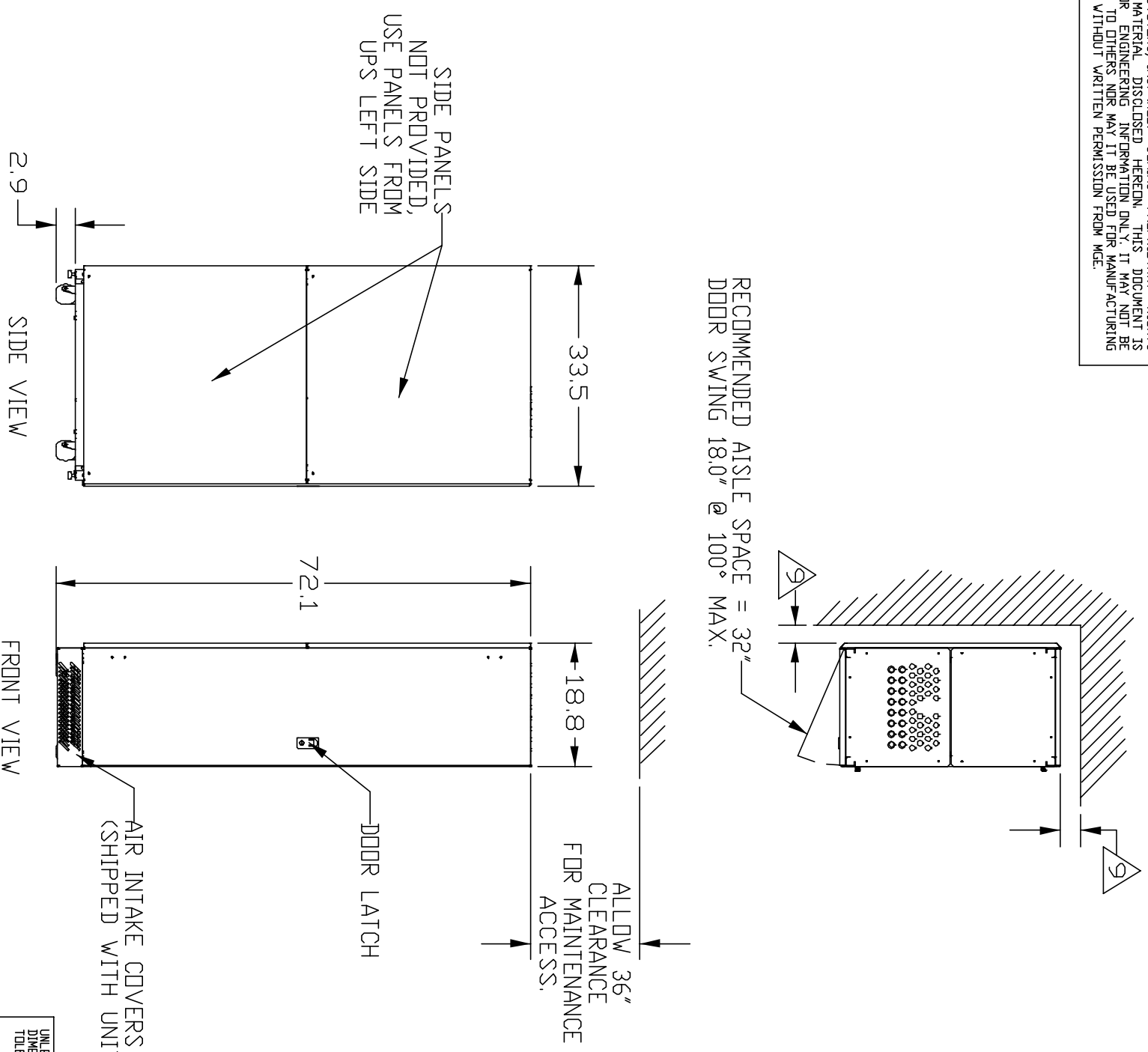


MGE UPS SYSTEMS, INC. (MGE) CLAIMS PROPRIETARY RIGHTS IN THE MATERIAL DISCLOSED HEREIN. THIS DOCUMENT IS ISSUED FOR ENGINEERING INFORMATION ONLY. IT MAY NOT BE DISCLOSED TO OTHERS NOR MAY IT BE USED FOR MANUFACTURING PURPOSES WITHOUT WRITTEN PERMISSION FROM MGE.

RECOMMENDED AISLE SPACE = 32"
DOOR SWING 18.0" @ 100° MAX.



- NOTES: UNLESS OTHERWISE SPECIFIED.
1. DIMENSION FORMAT IS INCHES.
 2. ALL DIMENSIONS ARE TO THE OUTSIDE EDGE OF THE CABINET EXCLUDING DOOR LATCH AND ALL HARDWARE.
 3. COLOR: LIGHT GRAY, TIGER DRYLAC 249/12170.
 4. OPERATING TEMPERATURE: 32°F (0°C) MIN. TO 86°F (30°C). RECOMMENDED OPERATING RANGE: 60°F (15°C) TO 77°F (25°C).
 5. REFER TO MGE DOCUMENT NUMBER 9-00038-00 FOR CABLE PREPARATION PROCEDURE FOR FIELD WIRING.
 6. ALL EXTERNAL WIRING SUPPLIED AND CONNECTED BY CUSTOMER.
 7. A PHILLIPS SCREWDRIVER IS REQUIRED TO REMOVE INTERNAL AND EXTERNAL PANELS.
 8. THE DISTRIBUTION CABINET MUST BE INSTALLED AND ALIGNED TO THE LEFT SIDE OF THE UPS. REFER TO APPLICABLE SYSTEM INSTALLATION DRAWING TO DETERMINE CABINET LINE UP. DRAWING NO. 90-173031-00.
 9. 1.0" MINIMUM CLEARANCE TO WALL REQUIRED.
 10. 6.0" SIDE CLEARANCE REQUIRED WITH SEISMIC BRACKETS.
- CABINET WEIGHT: 330 LBS.

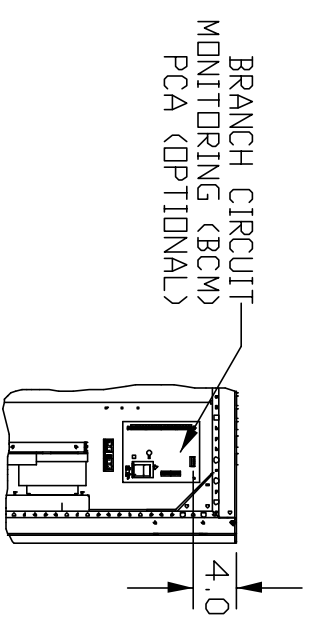
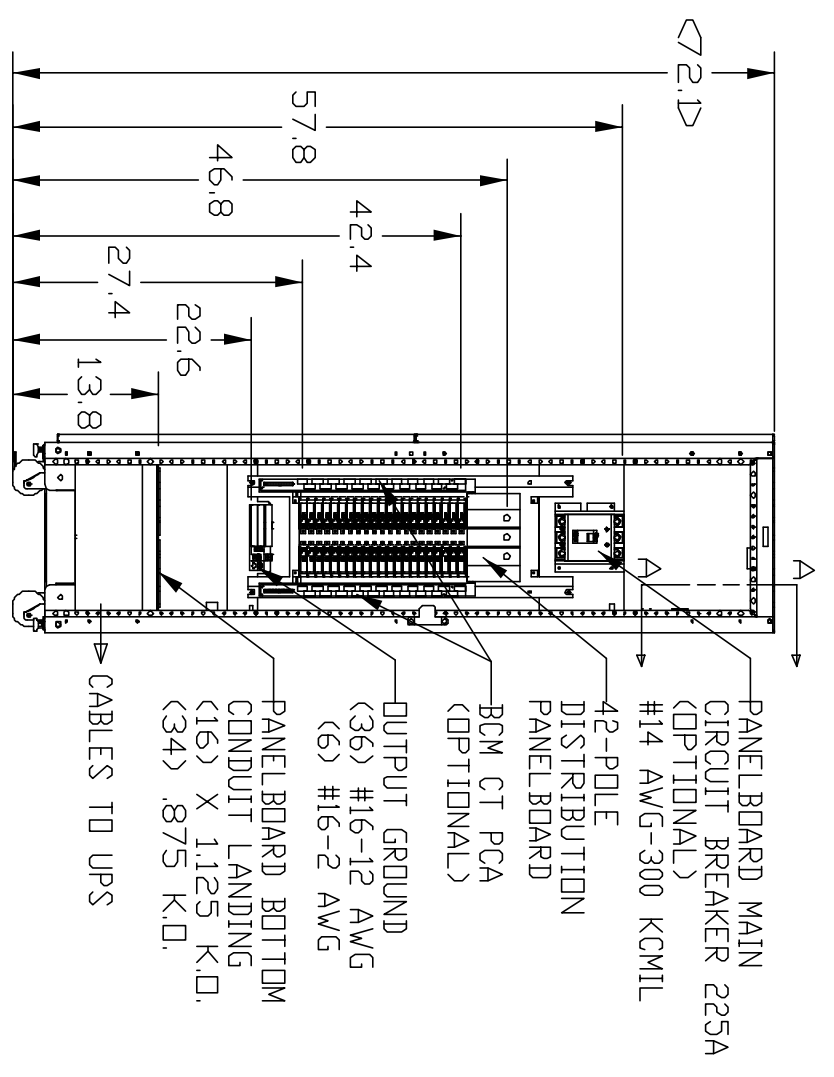
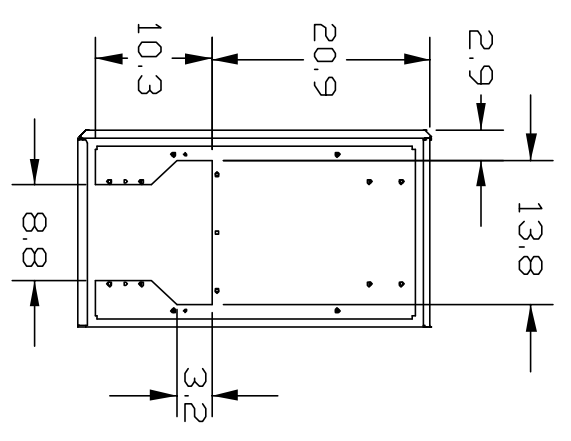
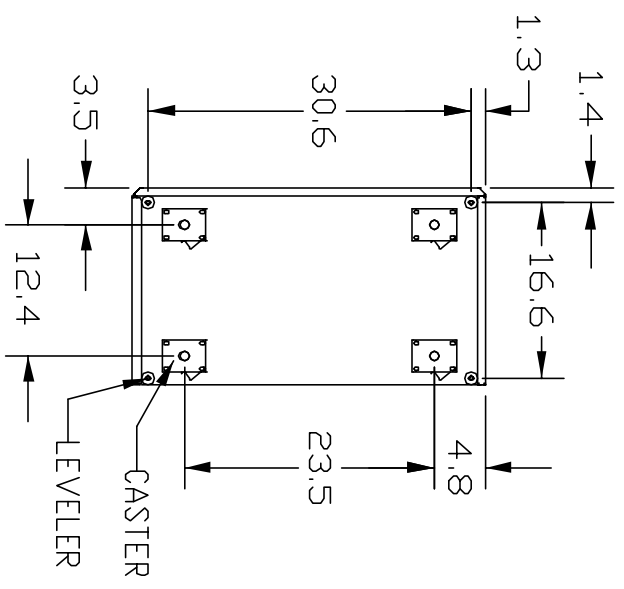
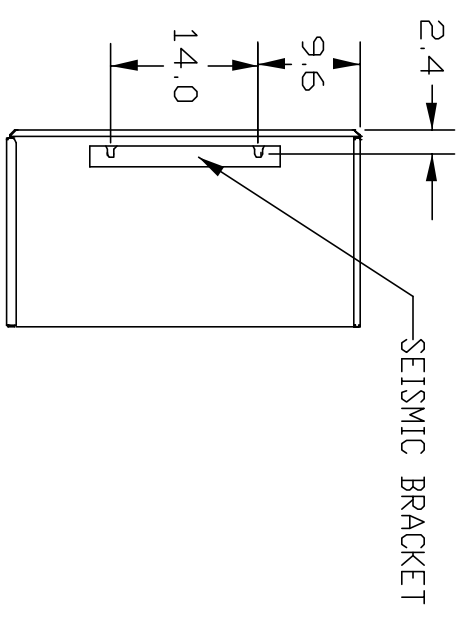
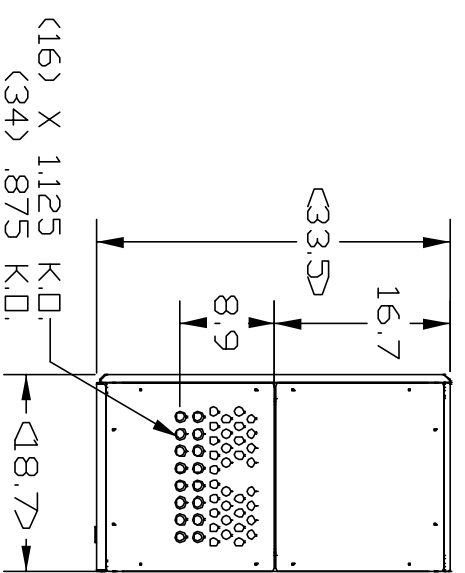
REVISIONS				
ZONE	REV	DESCRIPTION	DATE	APPROVED
A00		RELEASE PER ECN-004234	2/15/05	I.K.
A01		REVISED PER ECN-004568	03/08/06	I.K.

UNLESS OTHERWISE SPECIFIED DIMENSIONS ARE IN INCHES		CONTRACT NO.		MGE UPS Systems, Inc. 1660 Scenic Avenue Costa Mesa, CA 92626	
DECIMALS XX ±.03 XXX ±.010	ANGLES ± 1/2°	APPROVALS	DATE	SIZE	FSCM NO.
MATERIAL		DRAWN	11/18/04	B	9L985
FINISH		CHECKED	11/18/04		
		MFG ENG	11/18/04		
		ISSUED	11/18/04		

NOTES: UNLESS OTHERWISE SPECIFIED.

SCALE 0.071

4 3 2 1



NOTES: UNLESS OTHERWISE SPECIFIED.

SIZE	FSCM NO.	DWG. NO.	REV.
B	9L985	90-173022-00A01	
SCALE 0.071		SHEET 2 OF 3	

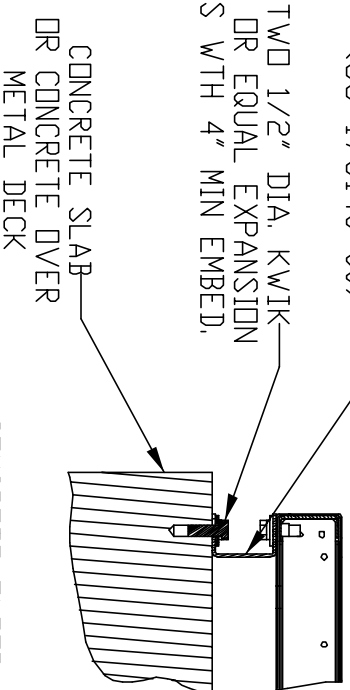
4

3

2

1

SEISMIC KIT
(85-173140-00)
HILTI TWD 1/2" DIA. KWIK
BOLT II OR EQUAL EXPANSION
ANCHORS WITH 4" MIN EMBED.



CONCRETE FLOOR
SEISMIC ANCHOR DETAIL
(FIGURE A)

INSTRUCTIONS FOR SEISMIC BRACKET INSTALLATION

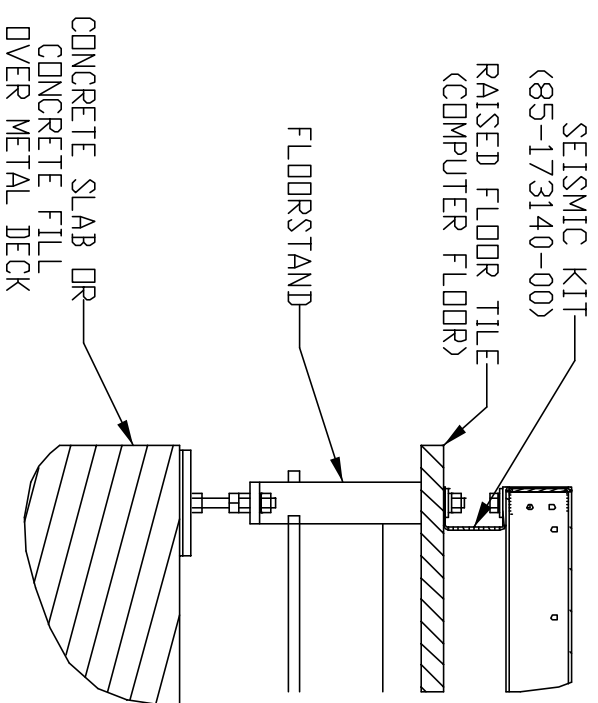
CONCRETE FLOOR (FIGURE A)

1. SELECT APPROPRIATE HOLE PATTERN FOR EQUIPMENT REQUIRED. (SEE SHEET 3)
2. CUSTOMER TO DRILL HOLES IN CONCRETE FLOOR AND INSTALL SEISMIC KIT (85-173140-00) USING CUSTOMER SUPPLIED EXPANSION ANCHORS (HILTI KWIK BOLT II OR EQUIV. EXPANSION ANCHORS).
3. LOCATE EQUIPMENT ON SEISMIC KIT AND SECURE USING 3/8" HARDWARE PROVIDED.
4. CONCRETE SHALL BE NORMAL WEIGHT AND SHALL HAVE A MINIMUM COMPRESSION STRENGTH OF 3000 PSI.
5. MINIMUM THICKNESS OF CONCRETE SLAB SHALL BE 4" OVER TOP OF METAL DECK FLUTES.
6. NOT FOR INSTALLATION ON A LIGHT WEIGHT CONCRETE SLAB.

RAISED FLOOR (FIGURE B)

INFORMATION PROVIDED IS AS A GENERAL GUIDELINE ONLY,
CONSULT WITH CERTIFIED STRUCTURAL ENGINEER FOR APPROPRIATE FLOORSTAND DESIGN AND
INSTALLATION METHOD.

1. LOCATE MOUNTING HOLES PER FLOORSTAND DESIGN.
2. CUSTOMER TO DRILL HOLES IN CONCRETE FLOOR AND INSTALL FLOORSTAND USING CUSTOMER SUPPLIED EXPANSION ANCHORS (HILTI KWIK BOLT II OR EQUIV. EXPANSION ANCHORS).
3. SECURE SEISMIC KIT (85-173140-00) TO FLOORSTAND WITH APPROPRIATE HARDWARE.
4. LOCATE EQUIPMENT ON SEISMIC KIT AND SECURE USING 3/8" HARDWARE PROVIDED.
5. CONCRETE SHALL BE NORMAL WEIGHT AND SHALL HAVE A MINIMUM COMPRESSION STRENGTH OF 3000 PSI.
6. MINIMUM THICKNESS OF CONCRETE SLAB SHALL BE 4" OVER TOP OF METAL DECK FLUTES.
7. NOT FOR INSTALLATION ON A LIGHT WEIGHT CONCRETE SLAB.



RAISED FLOOR
SEISMIC ANCHOR DETAIL
(FIGURE B)

NOTES: UNLESS OTHERWISE SPECIFIED.

4

3

2

1

SIZE	FSCM NO.	DWG. NO.	REV.
B	9L985	90-173022-00	A01
SCALE 0.125		SHEET 3	OF 3