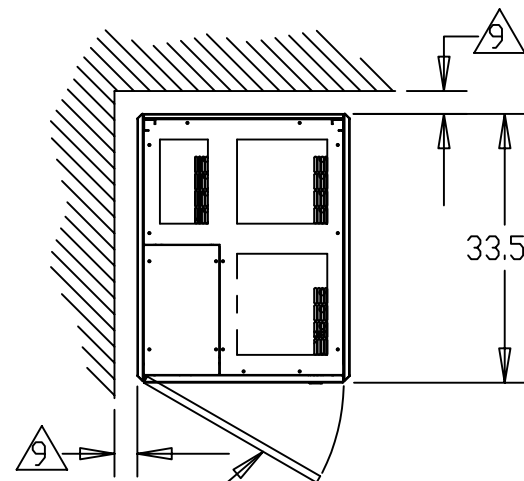


MGE UPS SYSTEMS, INC. (MGE) CLAIMS PROPRIETARY RIGHTS IN THE MATERIAL DISCLOSED HEREON. THIS DOCUMENT IS ISSUED FOR ENGINEERING INFORMATION ONLY. IT MAY NOT BE DISCLOSED TO OTHERS NOR MAY IT BE USED FOR MANUFACTURING PURPOSES WITHOUT WRITTEN PERMISSION FROM MGE.

REVISIONS				
ZONE	REV	DESCRIPTION	DATE	APPROVED
	A00	RELEASE PER ECN-004234	2/15/05	IK
	B00	REVISED PER ECN-004349	4/14/05	IK
	B01	REVISED PER ECN-004568	3/8/06	IK
	B02	REVISED NOTE 6, ECN-005360	5/10/07	IK

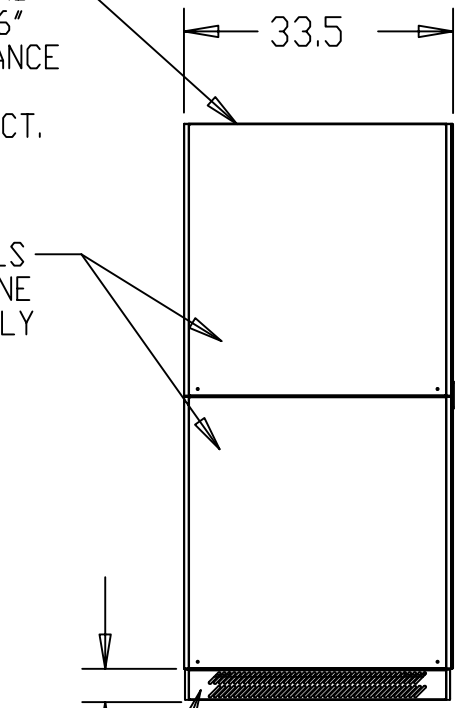


RECOMMENDED AISLE SPACE
REFER TO CHART
DOOR SWING = 110° MAX.

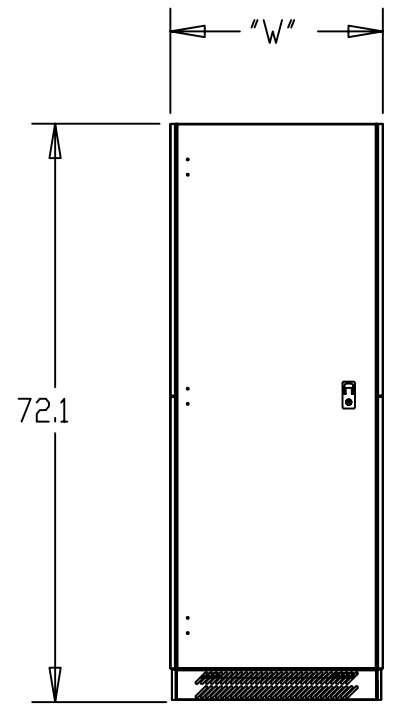
- NOTES: UNLESS OTHERWISE SPECIFIED.
1. DIMENSION FORMAT IS INCHES.
 2. ALL DIMENSIONS ARE TO OUTSIDE EDGE OF THE CABINET, EXCLUDING DOOR LATCH AND ALL HARDWARE.
 3. COLOR: LIGHT GRAY, TIGER DRYLAC 249/12170.
 4. RECOMMENDED BATTERY OPERATING TEMPERATURE: 60°F (15°C) TO 77°F (25°C)
 5. REFER TO MGE DOCUMENT NUMBER 9-00038-00 FOR CABLE PREPARATION PROCEDURE FOR FIELD WIRING.
 6. ALL EXTERNAL WIRING SUPPLIED AND CONNECTED BY CUSTOMER. (STAND ALONE MODELS ONLY). BATTERY VOLTAGE DROP SHALL BE KEPT TO LESS THAN 1% BASED ON BATTERY DISCONNECT RATING
 7. A PHILLIPS TYPE SCREWDRIVER IS REQUIRED TO REMOVE PANEL.
 8. REFER TO APPLICABLE SYSTEM INSTALLATION DRAWING FOR CABINET LINE-UP. DRAWING NO. 90-173030-00 OR 90-173031-00.
 9. 1.0" MINIMUM CLEARANCE TO WALL REQUIRED. 6.0" SIDE CLEARANCE REQUIRED WITH SEISMIC BRACKETS.
 10. CABINET PROVIDED WITH FRONT SWIVEL CASTERS AND REAR RIGID CASTERS. CABINET WILL NOT MOVE SIDEWAYS.
 11. FOR BATTERY CABINET SHIPPING WEIGHT WITH PALLET ADD 50 LBS.

AIR EXHAUST AND MAINTENANCE 36" MINIMUM CLEARANCE REQUIRED. DO NOT OBSTRUCT.

SIDE PANELS STAND-ALONE CABINET ONLY



SIDE VIEW



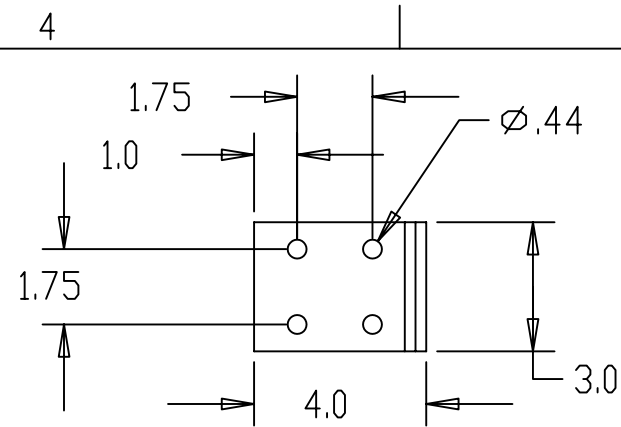
FRONT VIEW

AIR INTAKE COVERS (SHIPPED WITH UNIT)

MODEL NUMBER	CONFIG.	DIM. "W"	AISLE SPACE	WEIGHT(lbs) (MAX)	CB1 RATING
72-173051-14	ADJACENT	25.8	26.0	1690	250A
72-173051-15	ADJACENT	25.8	26.0	2070	250A
72-173053-16	ADJACENT	32.8	33.0	2650	250A
72-173051-24	STD-ALONE	26.5	26.0	1770	250A
72-173051-25	STD-ALONE	26.5	26.0	2150	250A
72-173053-26	STD-ALONE	33.5	33.0	2730	250A
72-173081-14	ADJACENT	25.8	26.0	1695	400A
72-173081-15	ADJACENT	25.8	26.0	2075	400A
72-173083-16	ADJACENT	32.8	33.0	2695	400A
72-173081-24	STD-ALONE	26.5	26.0	1775	400A
72-173081-25	STD-ALONE	26.5	26.0	2155	400A
72-173083-26	STD-ALONE	33.5	33.0	2775	400A

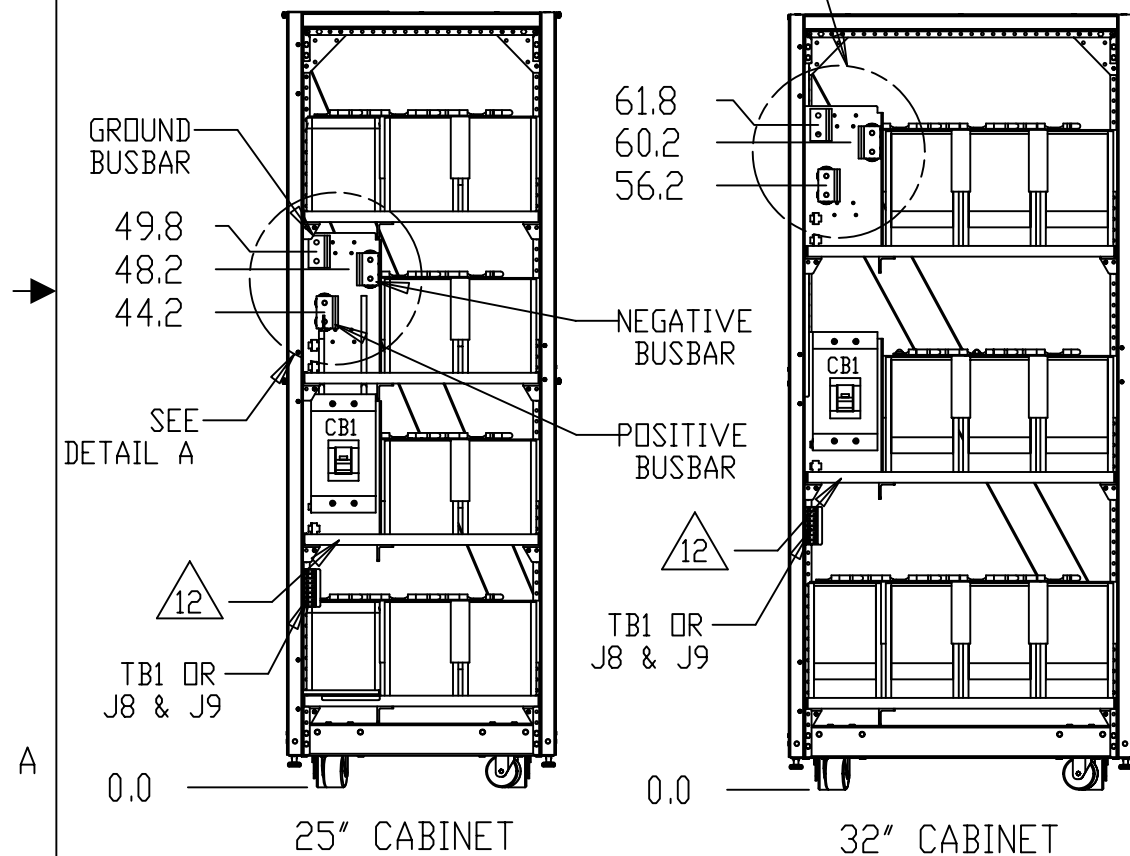
UNLESS OTHERWISE SPECIFIED DIMENSIONS ARE IN INCHES TOLERANCES ARE: DECIMALS .XX ±.03 .XXX ±.010 ANGLES ± 1/2°	CONTRACT NO.		MGE UPS SYSTEMS MGE UPS Systems, Inc. 1660 Scenic Avenue Costa Mesa, CA 92626			
	APPROVALS					DATE
	MATERIAL	DRAWN YRS 10-25-04 CHECKED IK 10-25-04	MFG ENG DP 10-25-04 ISSUED IK 10-25-04	INSTALLATION DRAWING BATTERY CABINET GALAXY 4000 40-75KVA		
	FINISH	SIZE B FSCM NO. 9L985	DWG. NO. 90-173021-00 REV. B02			

NOTES: UNLESS OTHERWISE SPECIFIED.



DETAIL A
(GND, POS, NEG BUSBARS)
SCALE 0.250

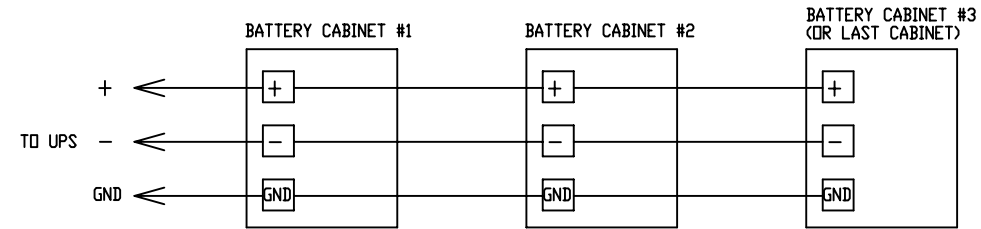
SEE DETAIL A



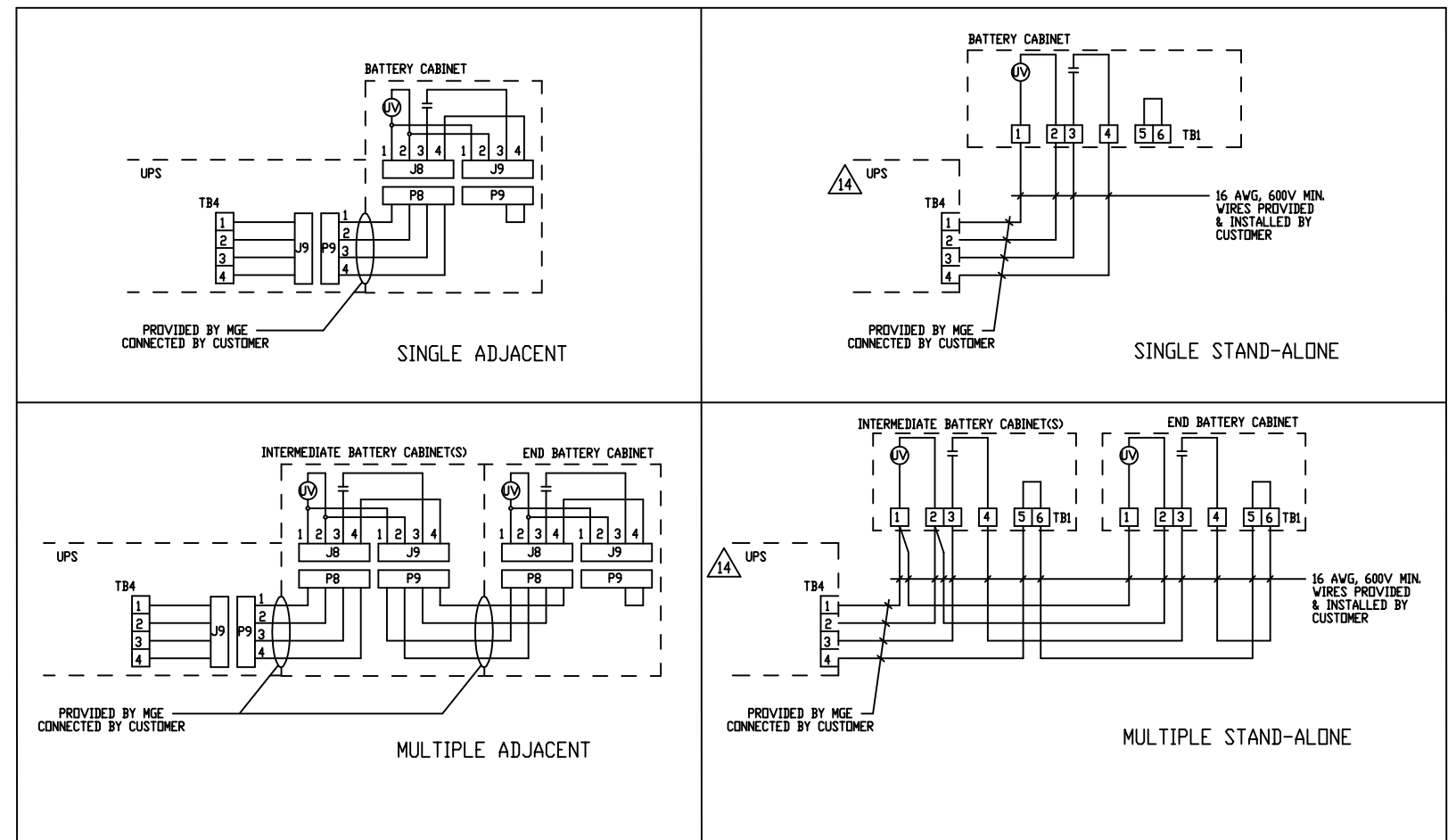
25" CABINET

32" CABINET

POWER CABLES INTERCONNECTION FOR MULTIPLE CABINETS



CONTROL CABLES INTERCONNECTIONS



- 12 FOR ADJACENT BATTERY CABINETS, LOCATE AND SECURE THERMISTOR FROM UPS TB4-5 AND TB4-6 INSIDE BATTERY CABINET, APPROXIMATELY WHERE SHOWN.
- 13. FOR STAND-ALONE BATTERY CABINETS, THE THERMISTOR IS MOUNTED NEXT TO TB4 IN THE UPS CABINET.
- 14 REMOVE CONNECTOR J9 FROM TB4-1 TO TB4-4.

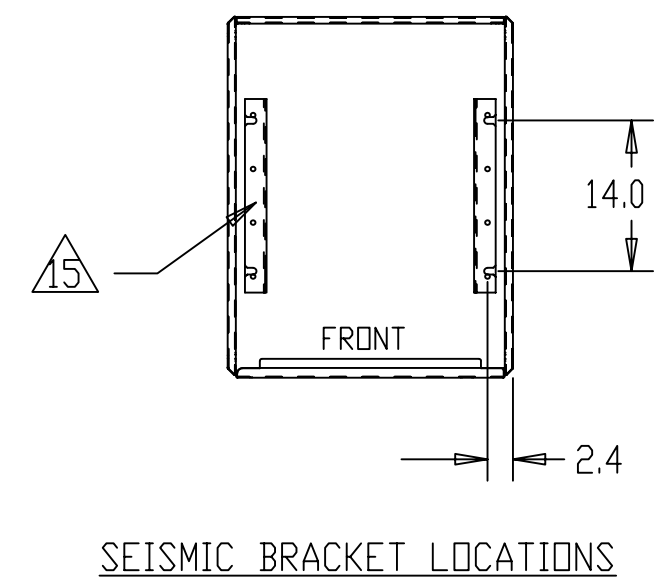
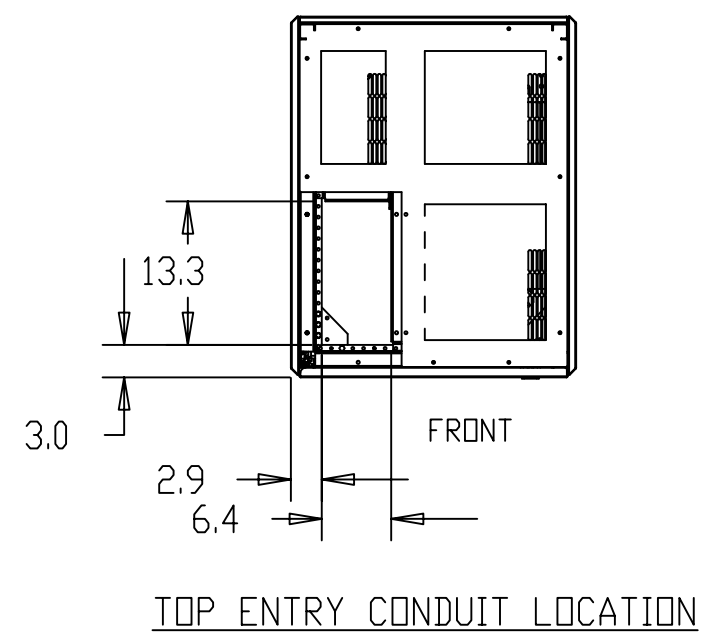
NOTES: UNLESS OTHERWISE SPECIFIED.

SIZE B	FSCM NO. 9L985	DWG. NO. 90-173021-00	REV. B02
SCALE 0.063		SHEET 2 OF 4	

4 3 2 1

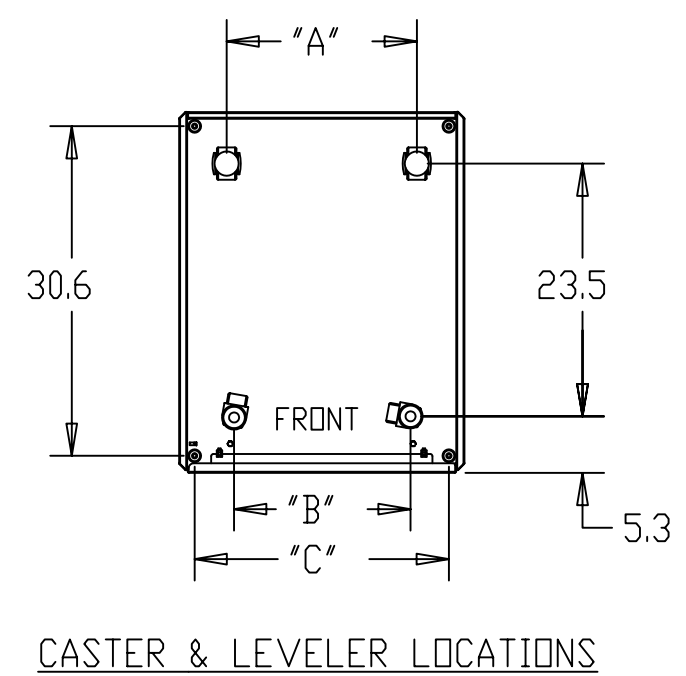
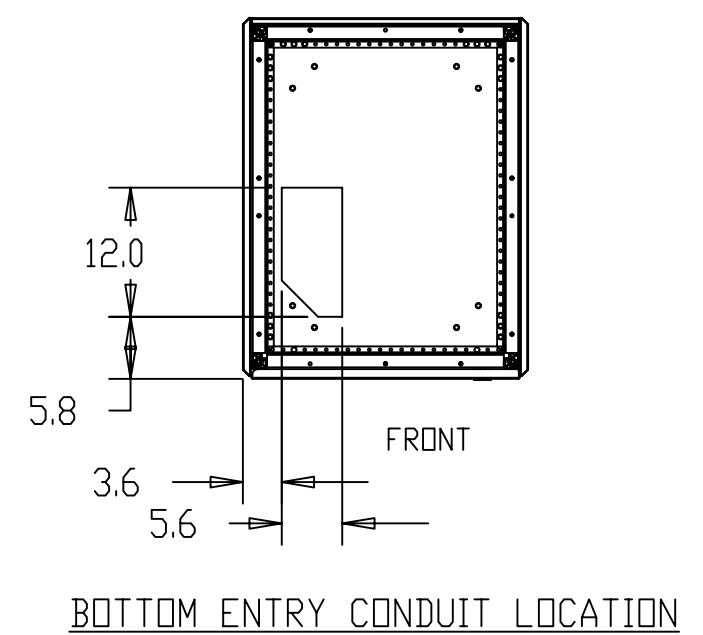
B

B



A

A



15 LEFT SEISMIC BRACKET FOR STAND ALONE MODELS ONLY.
 NOTES: UNLESS OTHERWISE SPECIFIED.

CABINET	A	B	C
25"	17.7	16.5	23.6
32"	24.7	23.5	30.6

SIZE B	FSCM NO. 9L985	DWG. NO. 90-173021-00	REV. B02
SCALE 0.063		SHEET 3 OF 4	

4 3 2 1

4

3

2

1



INSTRUCTIONS FOR SEISMIC BRACKET INSTALLATION

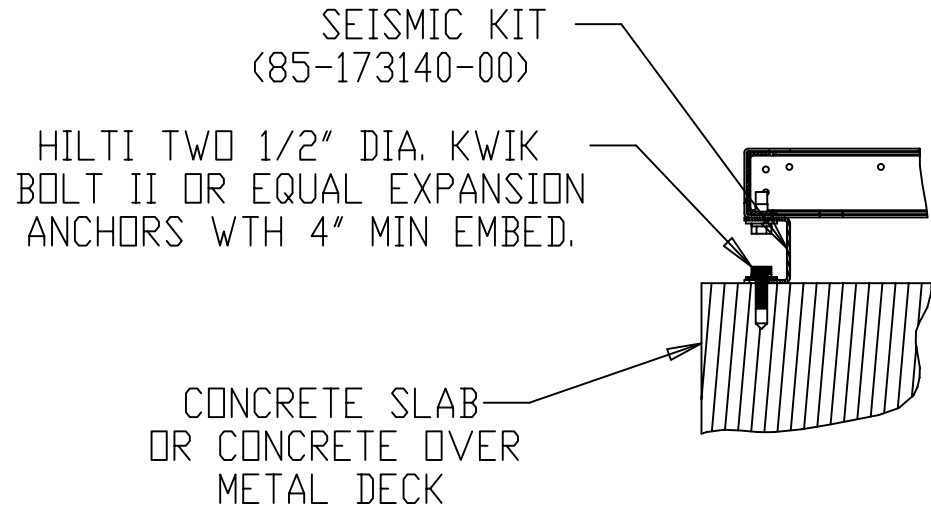
CONCRETE FLOOR (FIGURE A)

1. SELECT APPROPRIATE HOLE PATTERN FOR EQUIPMENT REQUIRED. (SEE SHEET 3)
2. CUSTOMER TO DRILL HOLES IN CONCRETE FLOOR AND INSTALL SEISMIC KIT (85-173140-00) USING CUSTOMER SUPPLIED EXPANSION ANCHORS (HILTI KWIK BOLT II OR EQUIV. EXPANSION ANCHORS).
3. LOCATE EQUIPMENT ON SEISMIC KIT AND SECURE USING 3/8" HARDWARE PROVIDED.
4. CONCRETE SHALL BE NORMAL WEIGHT AND SHALL HAVE A MINIMUM COMPRESSION STRENGTH OF 3000 PSI.
5. MINIMUM THICKNESS OF CONCRETE SLAB SHALL BE 4" OVER TOP OF METAL DECK FLUTES.
6. NOT FOR INSTALLATION ON A LIGHT WEIGHT CONCRETE SLAB.

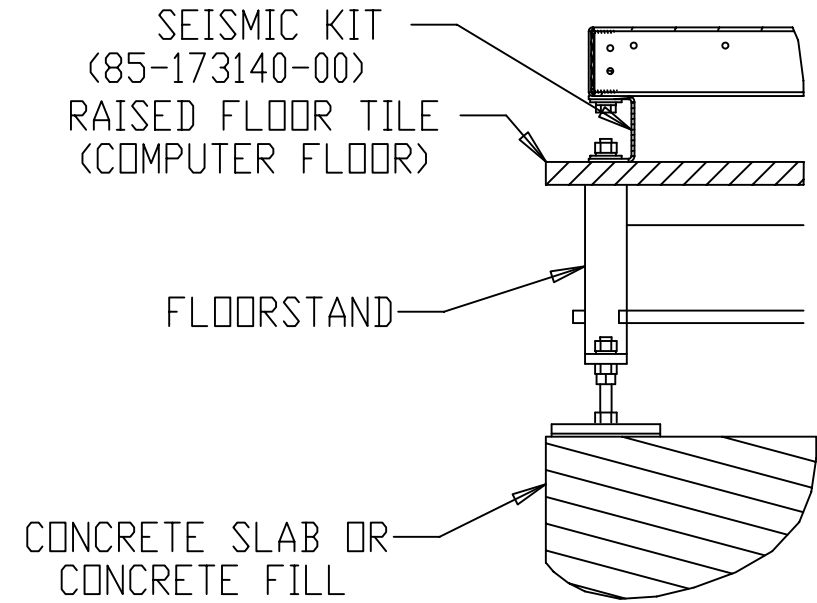
RAISED FLOOR (FIGURE B)

INFORMATION PROVIDED IS AS A GENERAL GUIDELINE ONLY. CONSULT WITH CERTIFIED STRUCTURAL ENGINEER FOR APPROPRIATE FLOORSTAND DESIGN AND INSTALLATION METHOD.

1. LOCATE MOUNTING HOLES PER FLOORSTAND DESIGN.
2. CUSTOMER TO DRILL HOLES IN CONCRETE FLOOR AND INSTALL FLOORSTAND USING CUSTOMER SUPPLIED EXPANSION ANCHORS (HILTI KWIK BOLT II OR EQUIV. EXPANSION ANCHORS).
3. SECURE SEISMIC KIT (85-173140-00) TO FLOORSTAND WITH APPROPRIATE HARDWARE.
4. LOCATE EQUIPMENT ON SEISMIC KIT AND SECURE USING 3/8" HARDWARE PROVIDED.
5. CONCRETE SHALL BE NORMAL WEIGHT AND SHALL HAVE A MINIMUM COMPRESSION STRENGTH OF 3000 PSI.
6. MINIMUM THICKNESS OF CONCRETE SLAB SHOULD BE 4" OVER TOP OF METAL DECK FLUTES.
7. NOT FOR INSTALLATION ON A LIGHT WEIGHT CONCRETE SLAB.



CONCRETE FLOOR SEISMIC ANCHOR DETAIL (FIGURE A)



RAISED FLOOR SEISMIC ANCHOR DETAIL (FIGURE B)

NOTES: UNLESS OTHERWISE SPECIFIED.

SIZE B	FSCM NO. 9L985	DWG. NO. 90-173021-00	REV. B02
SCALE 0.044		SHEET 4 OF 4	

4

3

2

1

