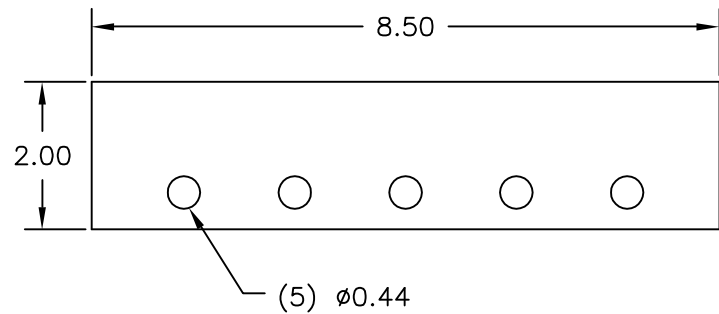
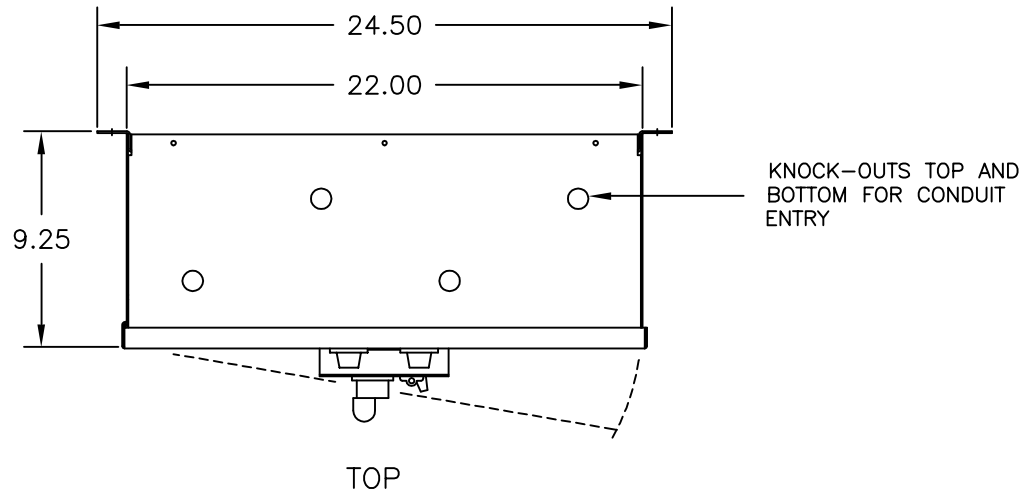


MGE UPS SYSTEMS, INC. CLAIMS PROPRIETARY RIGHTS IN THE MATERIAL DISCLOSED HEREIN. THIS DOCUMENT IS ISSUED FOR ENGINEERING INFORMATION ONLY. IT MAY NOT BE DISCLOSED TO OTHERS NOR MAY IT BE USED FOR MANUFACTURING PURPOSES WITHOUT WRITTEN PERMISSION FROM MGE UPS SYSTEMS, INC.

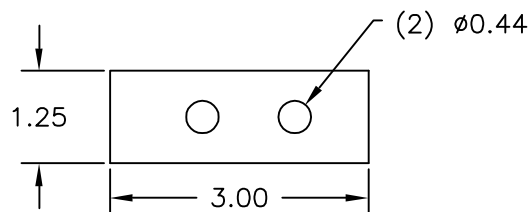
|           |              |   |          |          |     |
|-----------|--------------|---|----------|----------|-----|
| DWG NO.   | 90-160043-00 | SH                                      | 1        | REV.     | A02 |
| REVISIONS |              |   |          |          |     |
| ZONE      | REV          | DESCRIPTION                             | DATE     | APPROVED |     |
|           | A00          | RELEASED PER ECN-003817                 | 3-18-04  | DP       |     |
|           | A01          | REVISED PER ECN-004199                  | 1/14/05  | IK       |     |
|           | A02          | ADDED NOTE 7 OPTION REFERENCE ECN-04990 | 11/14/06 | VNE      |     |



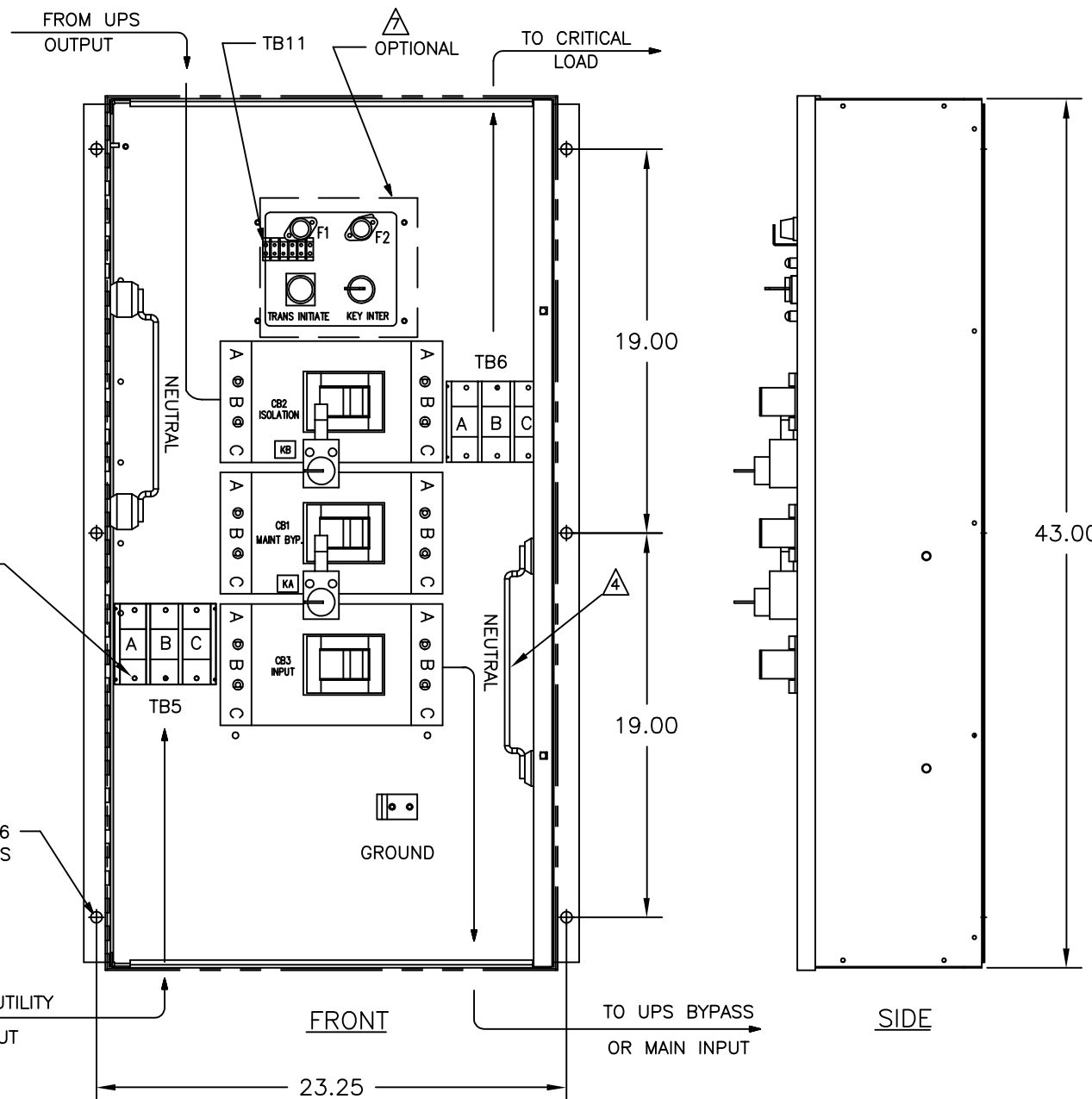
NEUTRAL BUSBAR DETAIL  
(SCALE NONE)



TOP



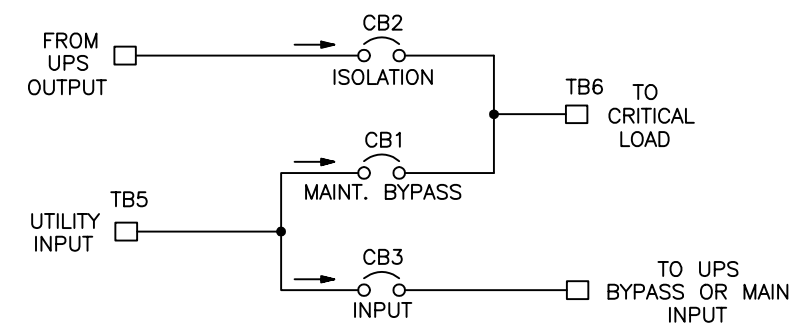
GROUND BUSBAR DETAIL  
(SCALE NONE)



FRONT

SIDE

SINGLE LINE DIAGRAM



WEIGHT (LBS.)

| CB RATING | CABINET | CABINET W/PALLET |
|-----------|---------|------------------|
| 70-225A   | 135     | 185              |
| 300A      | 165     | 215              |

CONTROL WIRING INTERCONNECT (OPTIONAL)

| FROM                 | TO     |
|----------------------|--------|
| UPS (CONTACTS BOARD) | MBC    |
| XM2-3                | TB11-1 |
| XM2-11               | TB11-2 |

| FROM   | TO     |
|--------|--------|
| UPS    | MBC    |
| TB4-9  | TB11-1 |
| TB4-10 | TB11-2 |

NOTES:

- DIMENSIONS ARE TO THE OUTSIDE EDGES OF THE CABINET EXCLUDING HARDWARE, HANDLES, LOCKS, ETC.
- ALL DIMENSIONS ARE IN INCHES.
- ALL EXTERNAL WIRING BY CUSTOMER.
- NEUTRAL BUS PROVIDED WITH CB RATING ABOVE 125A.
- COLOR: LIGHT GRAY
- XM2 TERMINATIONS SHOWN WITH THE CONTACTS BOARD USING CONFIGURATION 1C.
- REQUIRED ONLY WHEN THE ELECTRICAL INTERLOCK OPTION IS SELECTED.

(6) ø0.56  
MTG. HOLES

|  |               |              |                      |  |              |
|--|---------------|--------------|----------------------|--|--------------|
| UNLESS OTHERWISE SPECIFIED DIMENSIONS ARE IN INCHES AND [MILLIMETERS]. TOLERANCES ARE: |               | CONTRACT NO. |                      | <b>MGE</b> MGE UPS Systems, Inc.<br>UPS SYSTEMS 1660 Scenic Avenue<br>Costa Mesa, CA. 92626 U.S.A. |              |
| DECIMALS   | [MILLIMETERS] | APPROVALS    | DATE                 |  |              |
| .X=± .1  | X.=± 2.54     | DRAWN        | DINU PATEL 09/18/03  | <b>INSTALLATION DRAWING</b><br><b>MAINTENANCE BYPASS CABINET</b><br><b>3CB WALL MOUNT</b>          |              |
| .XX=± .03  | .X.=± .7      | CHECKED      | IK 09/18/03          |  |              |
| .XXX=± .010  | .XX=± .25     | ISSUED       | DSP 09/18/03         |  |              |
| ANGLES ± 0°30'   |               | FINISH       | DO NOT SCALE DRAWING | SIZE   | D            |
|  |               |              |                      | CAGE CODE  | 9L985        |
|  |               |              |                      | DWG NO.  | 90-160043-00 |
|  |               |              |                      | REV  | A02          |
|  |               |              |                      | SCALE  | NONE CAD     |
|  |               |              |                      | Agile: D90-160043-00   | SHEET 1 OF 1 |