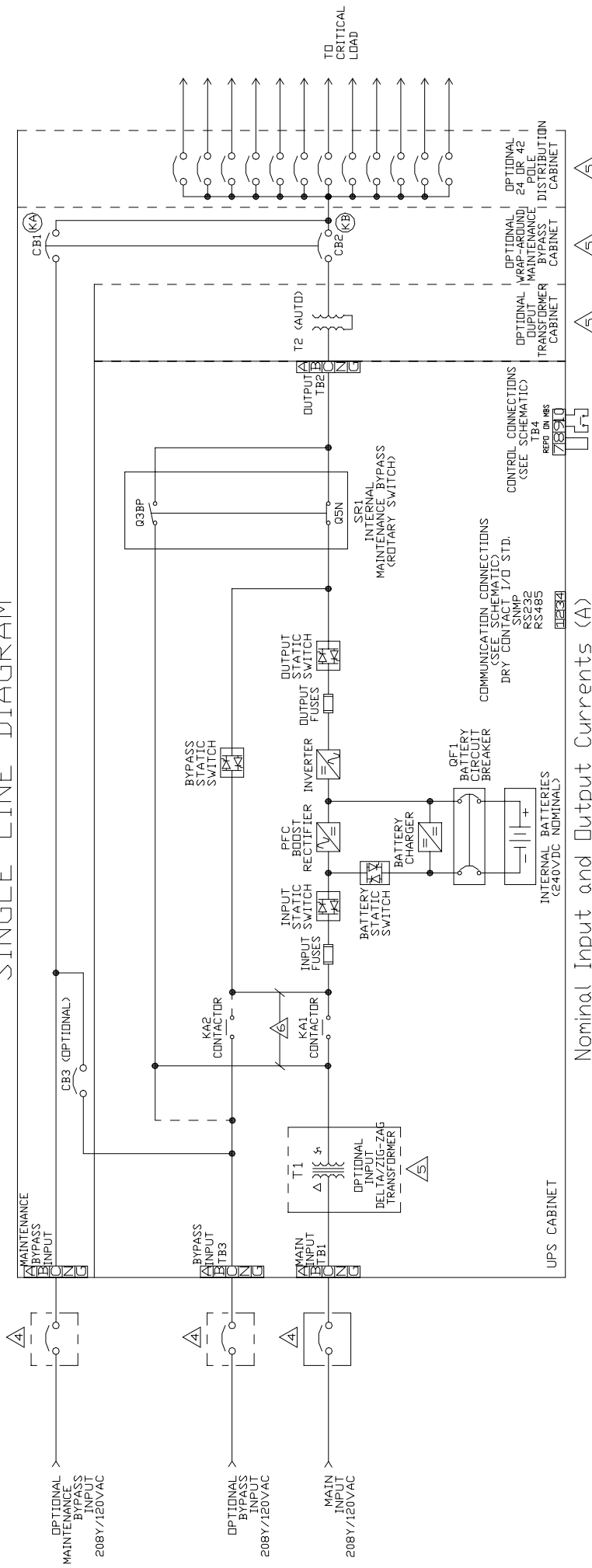


GALAXY 3000 UPS SYSTEM W/ OPTIONS SINGLE LINE DIAGRAM



ELECTRICAL SPECIFICATIONS

Nominal Input and Output Currents (A)

V _{in} /V _{out}	10kVA / 8kW		15kVA / 12 kW		20kVA / 16kW		30kVA / 24kW	
	I (in)	I (out)	I (in)	I (out)	I (in)	I (out)	I (in)	I (out)
208/208	26	28	39	42	52	56	78	83
220/220	26	26	39	39	53	53	79	79
480/208	12	28	18	42	23	56	35	83
480/480	12	12	18	18	24	24	36	36
600/208	10	28	14	42	19	56	29	83

Input Circuit Breaker Rating

V _{in}	10kVA / 8kW	15kVA / 12kW	20kVA / 16kW	30kVA / 24kW
208-220	40A	60A	70A	100A
480	20A	20A	40A	40A
600	20A	20A	30A	40A

Maximum Heat Rejection (BTU's)

10kVA / 8kW	15kVA / 12kW	20kVA / 16kW	30kVA / 24kW
4,100	6,100	8,200	12,200

- Frequency (in/out)
- Input Phase Rotation
- Input PF
- Input THD
- Input Voltage
- Nominal DC Voltage (Float)
- Min. DC Voltage
- Max. DC Current
- Internal Battery Disconnect (QF1)
- Internal Maintenance Bypass Switch (A)

- NOTES: UNLESS OTHERWISE SPECIFIED
1. FOLLOW ALL APPLICABLE NEC & LOCAL ELECTRICAL CODES.
 2. ALL EXTERNAL WIRING BY OTHERS.
 3. POWER & CONTROL CABLES SHALL BE IN SEPARATE CONDUITS.
- A UPSTREAM PROTECTIVE DEVICE REQUIRED PROVIDED BY OTHERS.
B OPTIONAL.
C NOT PRESENT WITH SEPARATE BYPASS OPTION.