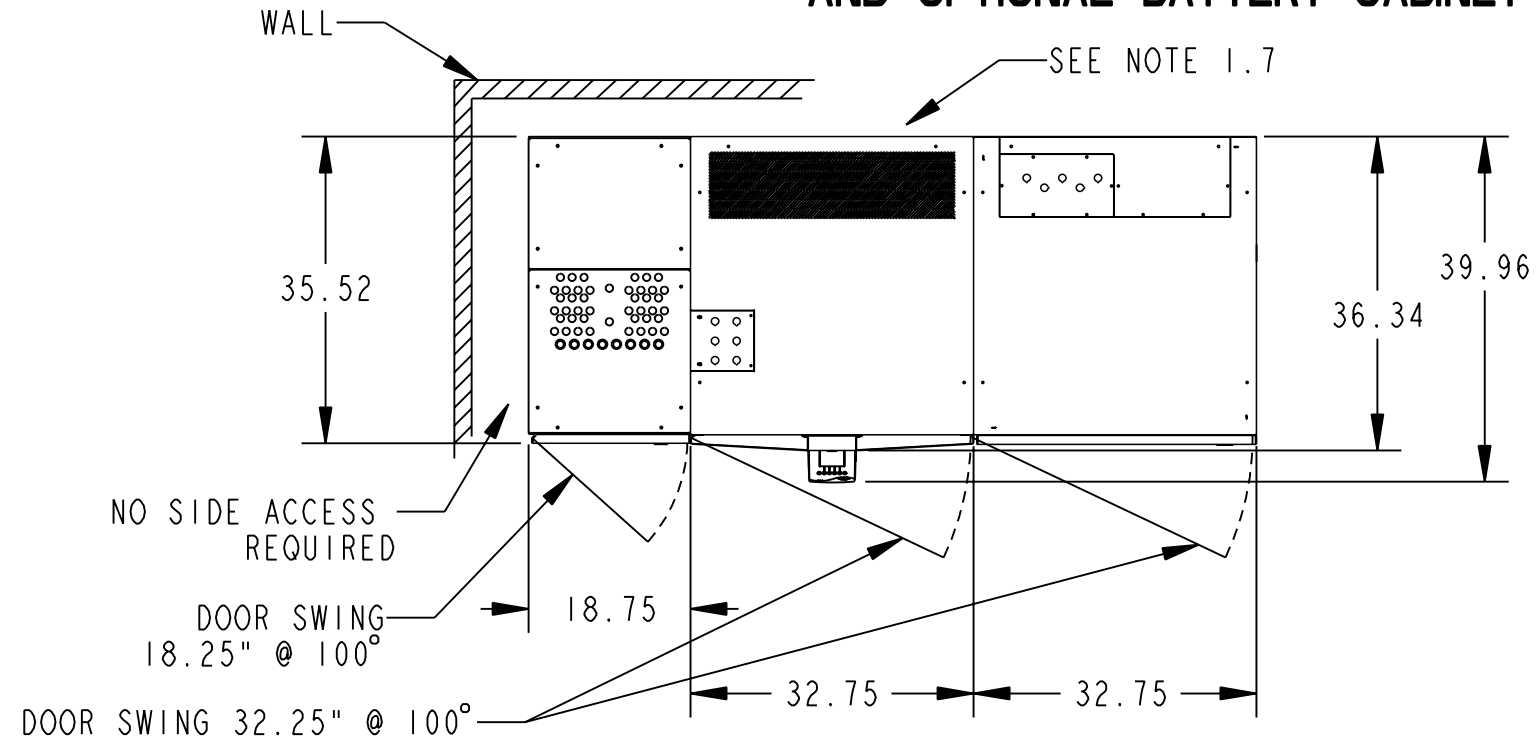


MGE UPS SYSTEMS, INC. (MGE) CLAIMS PROPRIETARY RIGHTS IN THE MATERIAL DISCLOSED HEREON. THIS DOCUMENT IS ISSUED FOR ENGINEERING INFORMATION ONLY. IT MAY NOT BE DISCLOSED TO OTHERS NOR MAY IT BE USED FOR MANUFACTURING PURPOSES WITHOUT WRITTEN PERMISSION FROM MGE.

GALAXY 3000 PHYSICAL CHARACTERISTICS

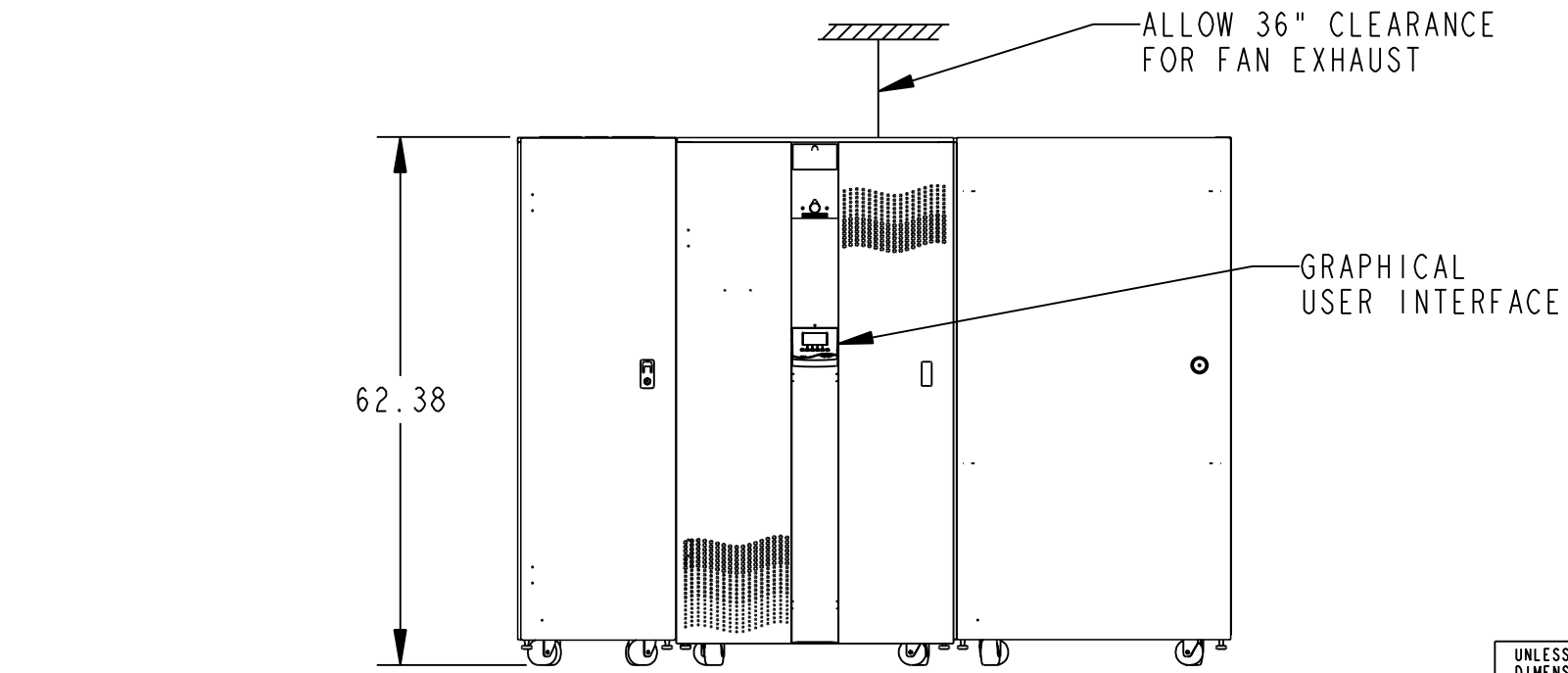
10-30kVA UPS W/OPTIONAL INPUT XFMR, MAINTENANCE BYPASS W/INPUT XFMR, AND OPTIONAL BATTERY CABINET

REVISIONS				
ZONE	REV	DESCRIPTION	DATE	APPROVED
	A00	RELEASED PER ECN-005106	05/24/07	SD VNE
	B00	RELEASED PER ECN-005402	08/20/07	WN/VNE



- NOTES : UNLESS OTHERWISE SPECIFIED.
- 1.1 DIMENSION FORMAT IS IN INCHES.
 - 1.2 ALL DIMENSIONS ARE TO THE OUTSIDE EDGE OF CABINET, EXCLUDING DOOR LOCK AND HARDWARE.
 - 1.3 A PHILLIPS SCREWDRIVER IS REQUIRED TO REMOVE INTERNAL AND EXTERNAL PANELS.
 - 1.4 COLOR: MGE LIGHT GRAY
 - 1.5 OPERATING TEMPERATURE: 32 DEG. F (0 DEG. C) MIN TO F86 DEG. F (30 DEG. C) MAX.
RECOMMENDED OPERATING RANGE: 60 DEG. F (15C) TO 77 DEG. F (25 DEG. C)
REFER TO SPECS FOR HIGHER TEMPERATURES.
HEAT REJECTION IS OUT OF TOP OF CABINETS.
 - 1.6 IF STORING UPS FOR MORE THAN THREE MONTHS, UPS SHOULD BE POWERED UP FOR 8 HOURS MIN. EVERY THREE MONTHS TO PREVENT DAMAGE TO BATTERIES.
 - 1.7 IF INSTALLED WITH SEISMIC BRACKETS, 4.5" CLEARANCE IS REQUIRED.

CABINET	CABINET WEIGHT (lbs)
UPS MODULE	SEE CHART BELOW
EXTERNAL BATTERY	2005 MIN / 2723 MAX
EXTERNAL MAINT BYPASS	592



UPS CABINET WEIGHTS						
	10-15 KVA			20-30 KVA		
	BACKUP TIME (MIN.)		W/INPUT XFMR (LBS.)	BACKUP TIME (MIN.)		W/INPUT XFMR (LBS.)
	10 KVA	15 KVA		20 KVA	30 KVA	
NO BATTERIES	N/A	N/A	1032	N/A	N/A	1185
LEVEL 1 BATTERY	12	8	1322	N/A	N/A	1475
LEVEL 2 BATTERY	36	20	1549/1716	14	8	1702/1869
LEVEL 3 BATTERY	56	33	1832/1892	23	12	1832/1892
LEVEL 4 BATTERY	92	51	2182/2412	36	19	2395/2565

MAINTENANCE BYPASS CABINET W/INPUT XFMR
UPS MODULE W/OPTIONAL INPUT XFMR
EXTERNAL BATTERY (OPTIONAL)

<small>UNLESS OTHERWISE SPECIFIED DIMENSIONS ARE IN INCHES TOLERANCES ARE:</small> DECIMALS .XX ±.03 .XXX ±.010 ANGLES ± 1/2°	CONTRACT NO.		MGE <small>UPS SYSTEMS</small>		MGE UPS Systems, Inc. 1660 Scenic Avenue Costa Mesa, CA 92626		
	APPROVALS		DATE		INSTALLATION DRAWING 10-30KVA UPS AND MBC		
DRAWN		SD 05/24/07					
CHECKED		VNE 05/24/07					
MATERIAL							
FINISH		MFG ENG		SIZE		FSCM NO.	
		ISSUED		D. LORIA		05/24/07	
				B		9L985	
				DWG. NO.		90-170900-00	
				REV.		B00	
				SCALE 0.045		90-17080X-XX.1	
				SHEET		1 OF 4	

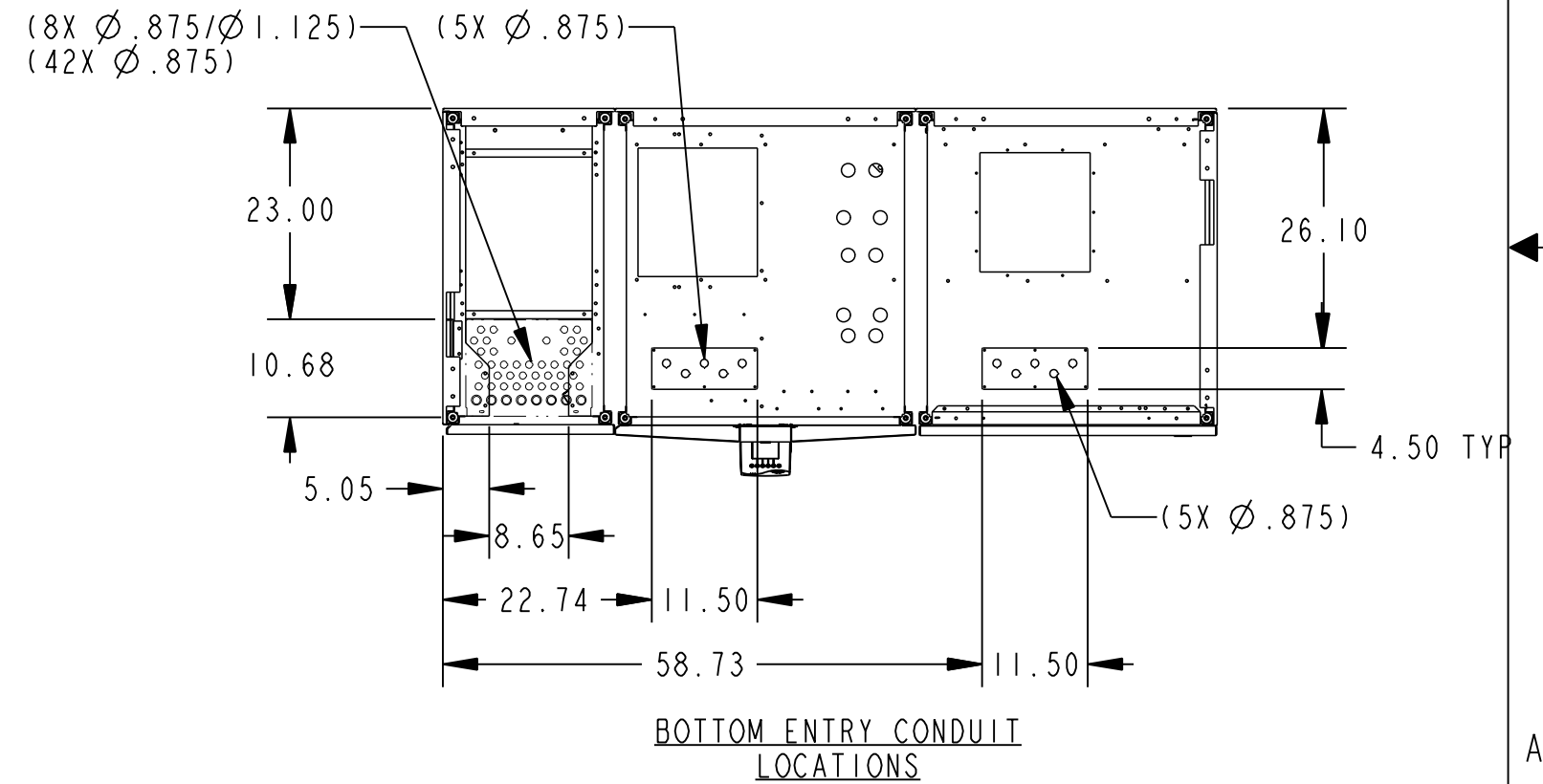
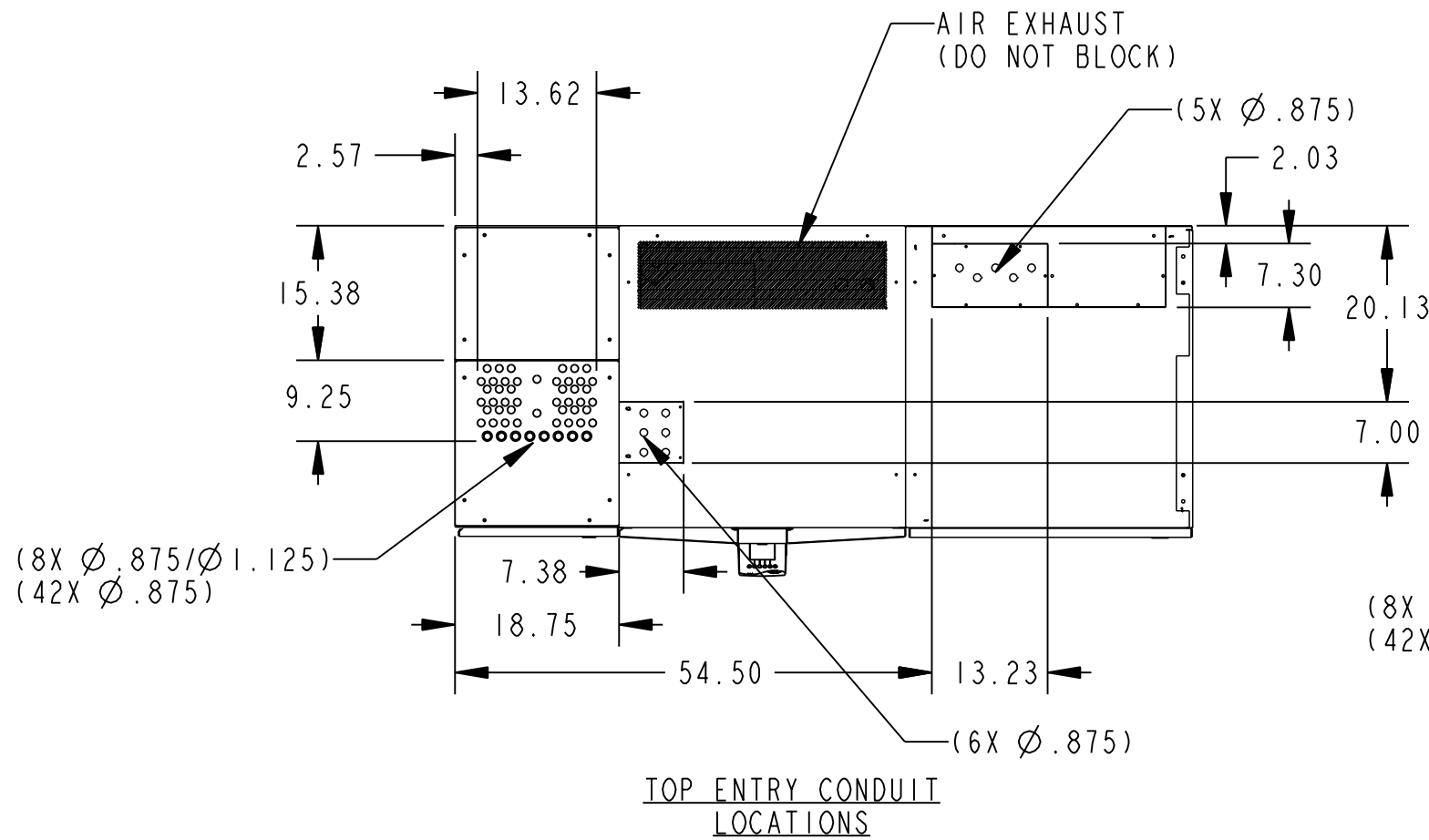
NOTES: UNLESS OTHERWISE SPECIFIED.

4

3

2

1



GALAXY 3000 TOP & BOTTOM CONDUIT ENTRY LOCATIONS

2.1 CONDUIT PLATE INSTALLATION INSTRUCTIONS:
 REMOVE SCREWS FROM CONDUIT PLATE. CONDUIT
 PLATE MAY NOW BE REMOVED TO PUNCH HOLES.
 REINSTALL CONDUIT PLATE AND SECURE WITH SCREWS.

NOTES: UNLESS OTHERWISE SPECIFIED.

SIZE B	FSCM NO. 9L985	DWG. NO. 90-170900-00	REV. B00
SCALE 0.050		90-17080X-XX.1	SHEET 2 OF 4

4

3

2

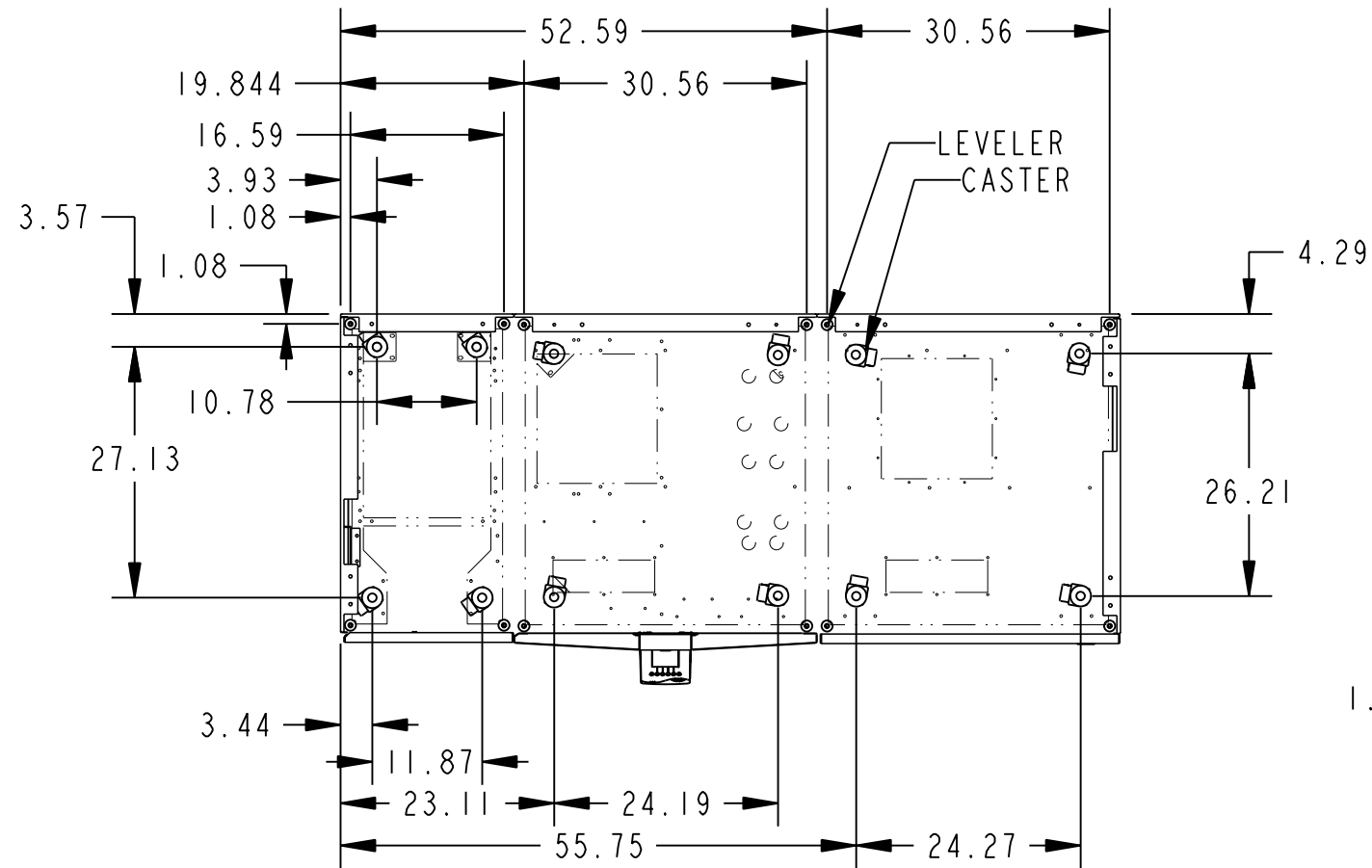
1

4

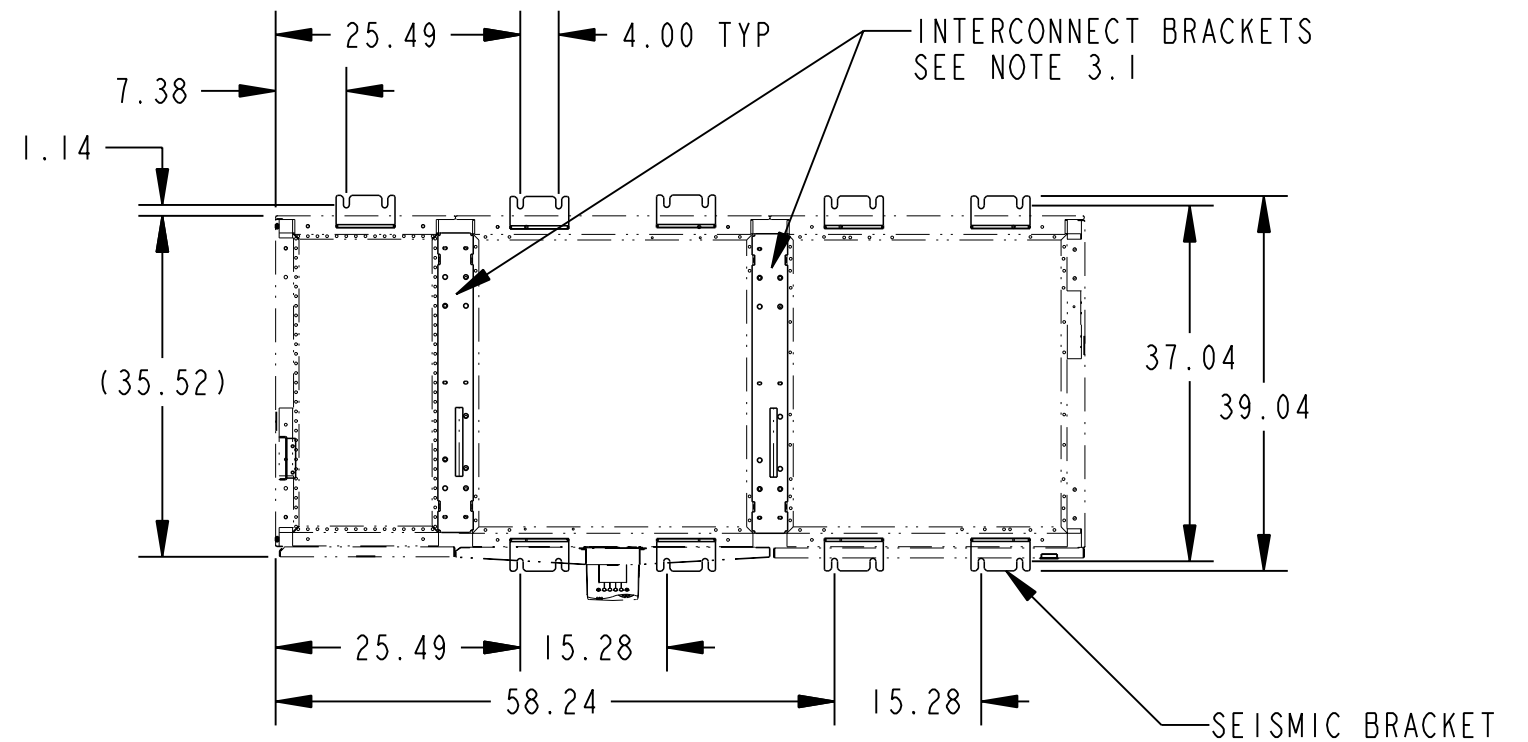
3

2

1



CASTER & LEVELER LOCATIONS



SEISMIC & INTERCONNECT BRACKET LOCATIONS

GALAXY 3000 INTERCONNECTION BRACKETS, SEISMIC ANCHORS, CASTER & LEVELER LOCATIONS

3.1 INTERCONNECT BRACKETS INSTALLATION INSTRUCTIONS:
 ALIGN CABINETS NEXT TO EACH OTHER. REMOVE THE TOP PANELS. PLACE BRACKET OVER TOP OF TWO FRAME RAILS AND SECURE WITH SIX 10-32 SCREWS. PLACE TOP PANELS BACK AND SECURE WITH SUPPLIER HARDWARE.

NOTES: UNLESS OTHERWISE SPECIFIED.

SIZE	FSCM NO.	DWG. NO.	REV.
B	9L985	90-170900-00	B00
SCALE 0.050		90-170900-00-B00.1+	SHEET 3 OF 4
90-17080X-XX-1.35+		1	

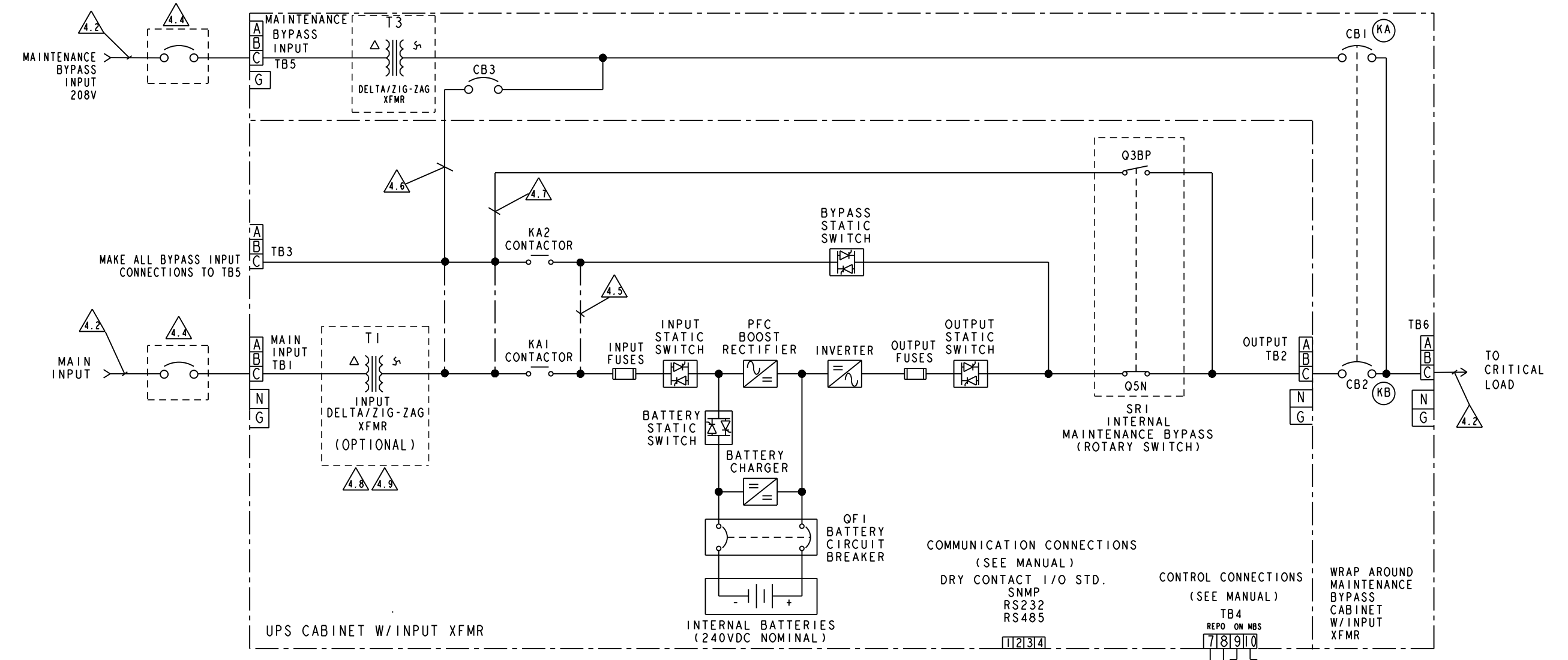
4

3

2

1

UPS SYSTEM (W/OPTIONAL INPUT XFMR) WITH MBC (W/INPUT XFMR) SINGLE LINE DIAGRAM



NOMINAL INPUT AND OUTPUT CURRENTS (A)

Vin/Vout	10KVA/8KW		15KVA/12KW		20KVA/16KW		30KVA/24KW	
	I (in)	I (out)	I (in)	I (out)	I (in)	I (out)	I (in)	I (out)
208/208	26	28	39	42	52	56	78	63
220/208	26	26	39	39	53	53	79	79
480/208	12	28	18	42	23	56	35	83
600/208	10	28	14	42	19	56	29	83

INPUT CIRCUIT BREAKER RATING

	10KVA/8KW	15KVA/12KW	20KVA/16KW	30KVA/24KW
208	40A	60A	70A	100A
220	40A	60A	70A	100A
480	20A	30A	40A	50A
600	20A	20A	30A	40A

MAXIMUM HEAT REJECTION (BTU'S)

10KVA/8KW	15KVA/12KW	20KVA/16KW	30KVA/24KW
4,100	6,100	8,200	12,200

ELECTRICAL SPECIFICATIONS

- Frequency (in/out) 60Hz (+8% / -25%)
- Input Phase Rotation A,B,C, Clockwise
- Input PF > 0.98
- Input THD < 3%
- Input Voltage { 208 (±15%) 3 Phase, 4W, N + G
220, 480, 600 (±15%) 3 Phase, 3W, N + G
- Nominal DC Voltage (Float) 240 VDC (272VDC) Float
- Min. DC Voltage 200 VDC
- Max. DC Current 60 ADC (10-15KVA), 120 ADC (20-30KVA)
- Internal Battery Disconnect (QF1) 63 A (10-15KVA), 125 A (20-30KVA)
- Internal Maintenance Bypass Switch (A) 55 A (10-15KVA), 100 A (20-30KVA)

- 4.1 FOLLOW ALL APPLICABLE NEC AND LOCAL ELECTRICAL CODES.
 - 4.2 ALL EXTERNAL WIRING BY OTHERS.
 - 4.3 POWER AND CONTROL CABLES SHALL BE IN SEPARATE CONDUITS.
 - 4.4 UPSTREAM PROTECTIVE DEVICE REQUIRED PROVIDED BY OTHERS.
 - 4.5 INSTALL FOR SINGLE INPUT ONLY.
 - 4.6 CONNECTED TO TBI FOR SINGLE INPUT.
 - 4.7 CONNECTED TO KAI FOR SINGLE INPUT.
 - 4.8 OPTIONAL FOR 208 VAC INPUT. REQUIRED FOR 220, 480 AND 600 VAC.
 - 4.9 NOT PRESENT FOR SINGLE INPUT.
- NOTES: UNLESS OTHERWISE SPECIFIED.

SIZE	FSCM NO.	DWG. NO.	REV.
B	9L985	90-170900-00	B00
SCALE 0.031	90-17080X-XX.1	SHEET 4 OF 4	