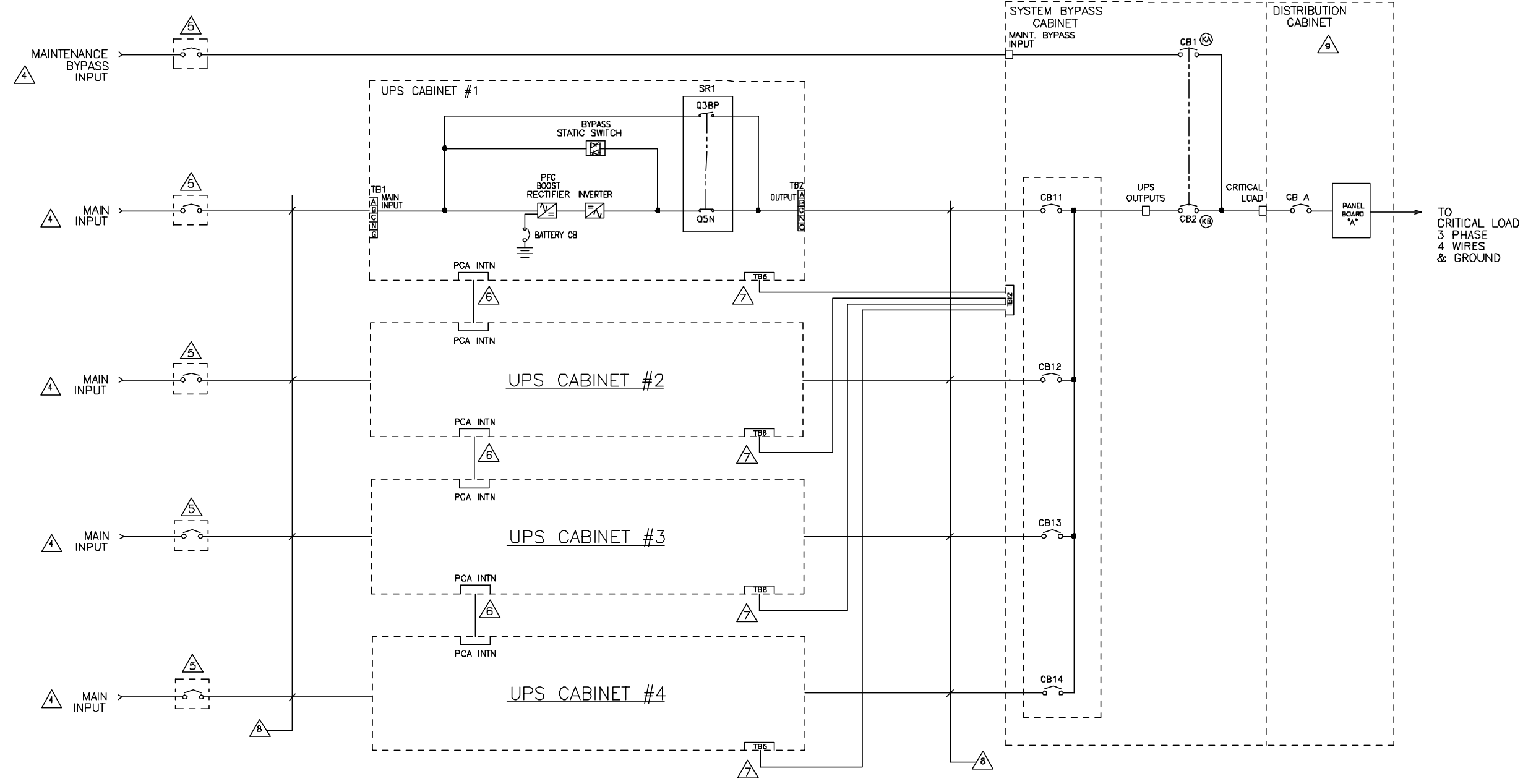


ALL TECHNICAL INFORMATION CONTAINED IN THIS DOCUMENT IS THE EXCLUSIVE PROPERTY OF SCHNEIDER ELECTRIC INDUSTRIES SAS AND MAY NEITHER BE USED NOR DISCLOSED WITHOUT ITS PRIOR WRITTEN CONSENT.

REVISIONS			
REV	DESCRIPTION	DATE	APPROVED
A00	NEW RELEASE	12/08/06	I.K.
B00	REVISED	09/05/08	I.K.

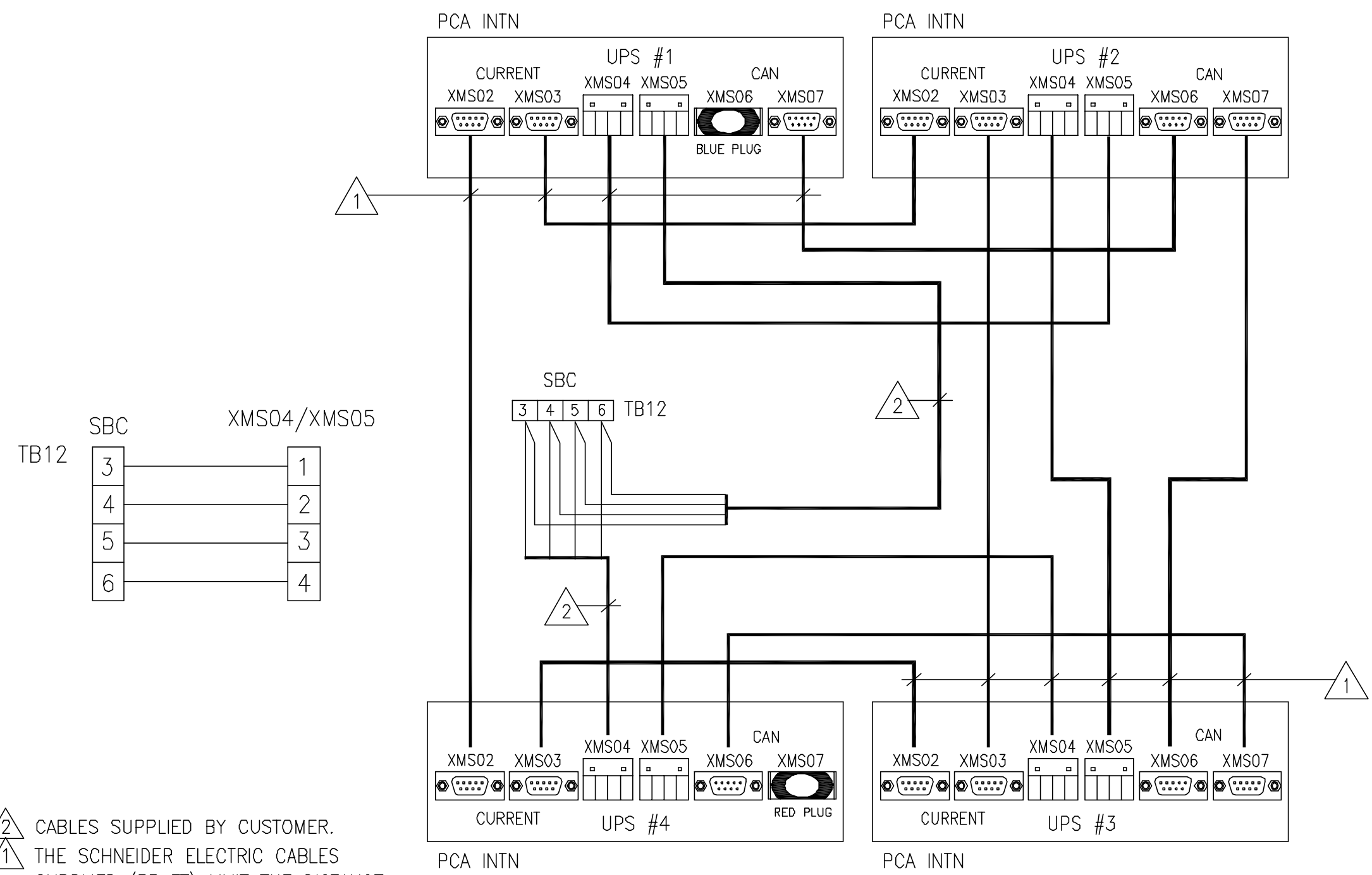


1. FOLLOW ALL APPLICABLE NEC AND LOCAL ELECTRICAL CODES.
2. ALL EXTERNAL WIRING BY CUSTOMER.
3. POWER AND CONTROL CABLES SHALL BE IN SEPARATE CONDUITS.
4. BYPASS AND INPUTS MUST BE FROM THE SAME SOURCE. 3 PHASE, 4 WIRES & GROUND PER UNIT.
5. UPSTREAM PROTECTIVE DEVICE REQUIRED. PROVIDED BY CUSTOMER.
6. REFERENCE SHEET 2.
7. CABLES SUPPLIED BY CUSTOMER. REFERENCE DRAWING 90-170822-00 FOR BREAKERS AUX CONTACTS CONNECTIONS.
8. CABLE SIZES AND LENGTHS FROM THE BYPASS AC SOURCE TO EACH UPS AND FROM EACH UPS OUTPUT TO THE SBC MUST BE IDENTICAL.
9. OPTIONAL, UP TO TWO CABINETS AVAILABLE. REFERENCE DRAWING 90-170824-00.

NOTES: UNLESS OTHERWISE SPECIFIED.

CONTRACT NO.		SCHNEIDER ELECTRIC <small>Critical Power & Cooling Service Division 1660 Scenic Avenue Costa Mesa, CA. 92626 U.S.A.</small>	
APPROVALS	DATE	SINGLE LINE 4UPS SINGLE INPUT 2CB SBC GALAXY 3000 PARALLEL	
DRAWN B.KHOLOUSI	09-13-06		
CHECKED M.M.	09-13-06		
ISSUED I.K.	09-13-06		
DO NOT SCALE DRAWING		SIZE B	CAGE CODE 9L985
		DWG NO. 90-170840-00	
		SCALE NONE	REV. B00
		CAD	SHEET 1 OF 2

INTERCONNECTIONS BETWEEN UPS UNITS
EXCHANGE CURRENT AND CAN BUS
INTERCONNECTIONS BETWEEN UPS UNITS TO SBC



2 CABLES SUPPLIED BY CUSTOMER.
 1 THE SCHNEIDER ELECTRIC CABLES SUPPLIED (33 FT) LIMIT THE DISTANCE BETWEEN THE UPS UNITS.

NOTES:

SIZE	CAGE CODE	DWG NO.	REV.
B	9L985	90-170840-00	B00
SCALE	NONE	CAD 90-170840-00	SHEET 2 OF 2