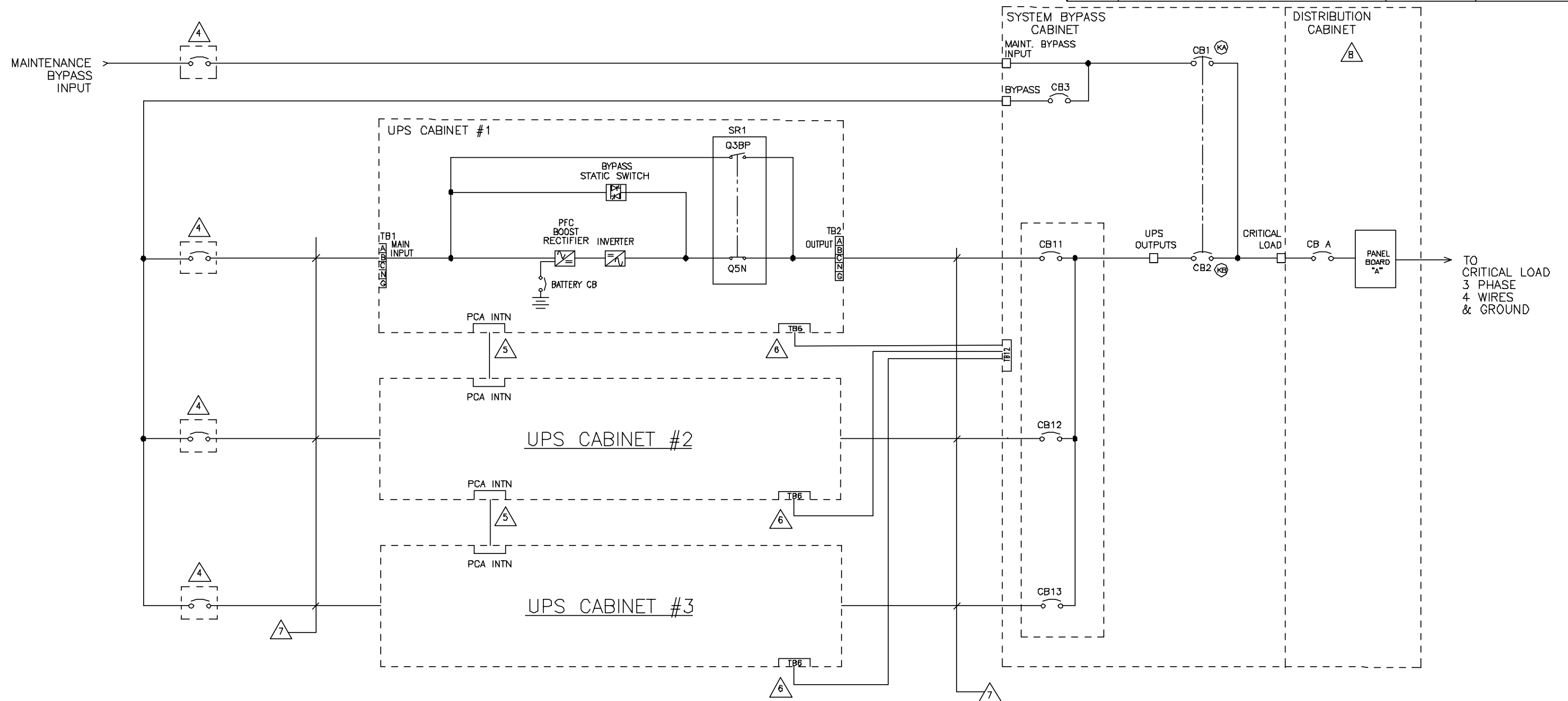


ALL TECHNICAL INFORMATION CONTAINED IN THIS DOCUMENT IS THE EXCLUSIVE PROPERTY OF SCHNEIDER ELECTRIC INDUSTRIES SAS AND MAY NEITHER BE USED NOR DISCLOSED WITHOUT ITS PRIOR WRITTEN CONSENT.

REVISIONS			
REV	DESCRIPTION	DATE	APPROVED
A00	NEW RELEASE	12/08/06	I.K.
B00	REVISED	09/05/08	I.K.

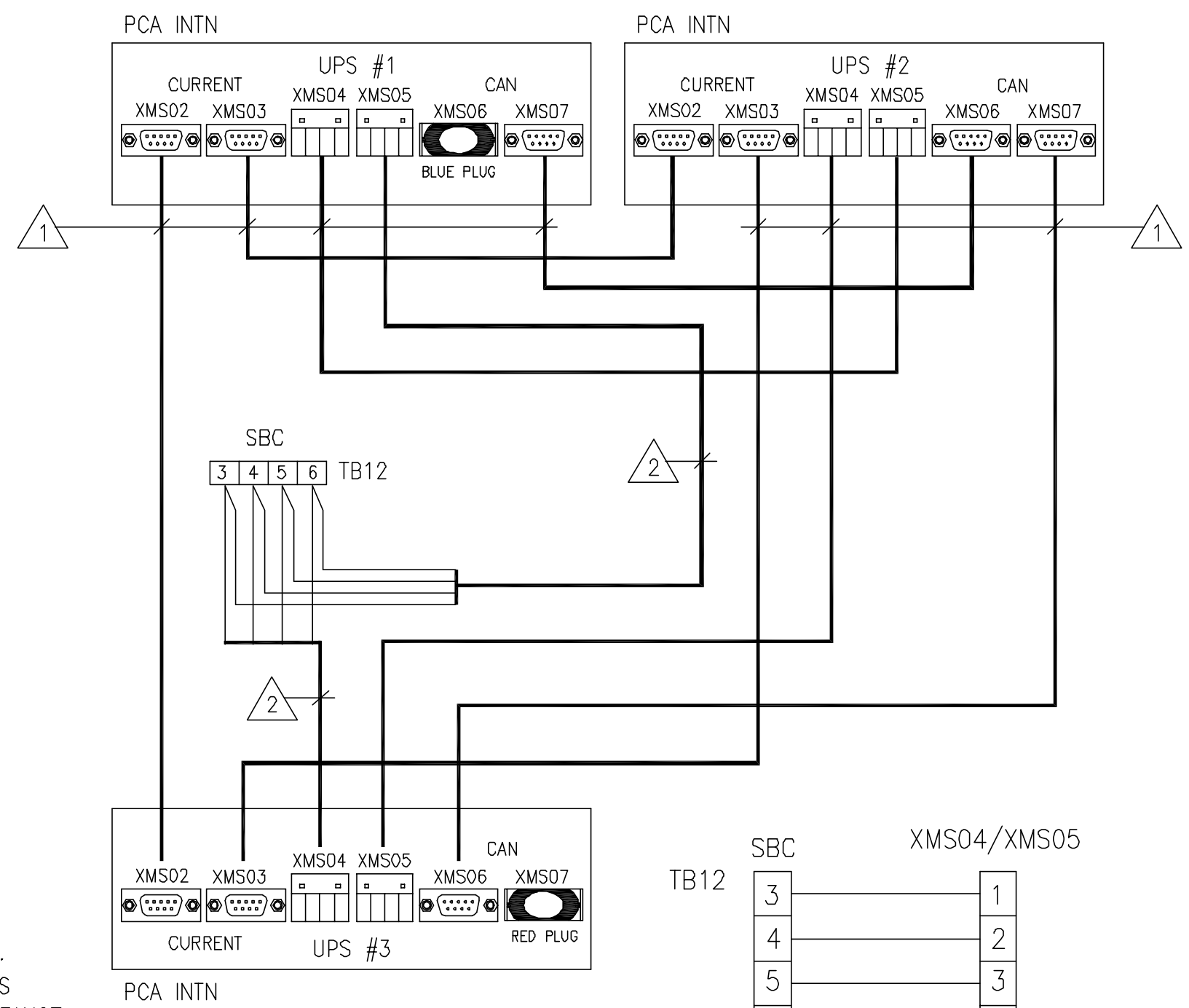


1. FOLLOW ALL APPLICABLE NEC AND LOCAL ELECTRICAL CODES.
2. ALL EXTERNAL WIRING BY CUSTOMER.
3. POWER AND CONTROL CABLES SHALL BE IN SEPARATE CONDUITS.
- ⚠ UPSTREAM PROTECTIVE DEVICE REQUIRED. PROVIDED BY CUSTOMER. 3 PHASE, 4 WIRES & GROUND PER UNIT.
- ⚠ REFERENCE SHEET 2.
- ⚠ CABLES SUPPLIED BY CUSTOMER. REFERENCE DRAWING 90-170823-00 FOR BREAKER AUX CONTACT CONNECTIONS.
- ⚠ CABLE SIZES AND LENGTHS FROM THE BYPASS AC SOURCE TO EACH UPS AND FROM EACH UPS OUTPUT TO THE SBC MUST BE IDENTICAL.
- ⚠ OPTIONAL, UP TO TWO CABINETS AVAILABLE. REFERENCE DRAWING 90-170824-00.

NOTES: UNLESS OTHERWISE SPECIFIED.

CONTRACT NO.		<b>SCHNEIDER ELECTRIC</b> <small>Critical Power &amp; Cooling Service Division          1660 Scenic Avenue          Costa Mesa, CA. 92626 U.S.A.</small>	
APPROVALS	DATE	<b>SINGLE LINE</b> <b>3UPS SINGLE INPUT 3CB SBC</b> <b>GALAXY 3000 PARALLEL</b>	
DRAWN	09-14-06		
CHECKED	09-14-06		
ISSUED	09-14-06		
<b>DO NOT SCALE DRAWING</b>		SIZE <b>B</b> CAGE CODE <b>9L985</b> SCALE NONE	DWG NO. <b>90-170838-00</b> REV. <b>B00</b> SHEET 1 OF 2

INTERCONNECTIONS BETWEEN UPS UNITS  
EXCHANGE CURRENT AND CAN BUS  
INTERCONNECTIONS BETWEEN UPS UNITS TO SBC



2 CABLES SUPPLIED BY CUSTOMER.  
 1 THE SCHNEIDER ELECTRIC CABLES SUPPLIED (33 FT) LIMIT THE DISTANCE BETWEEN THE UPS UNITS.

NOTES: