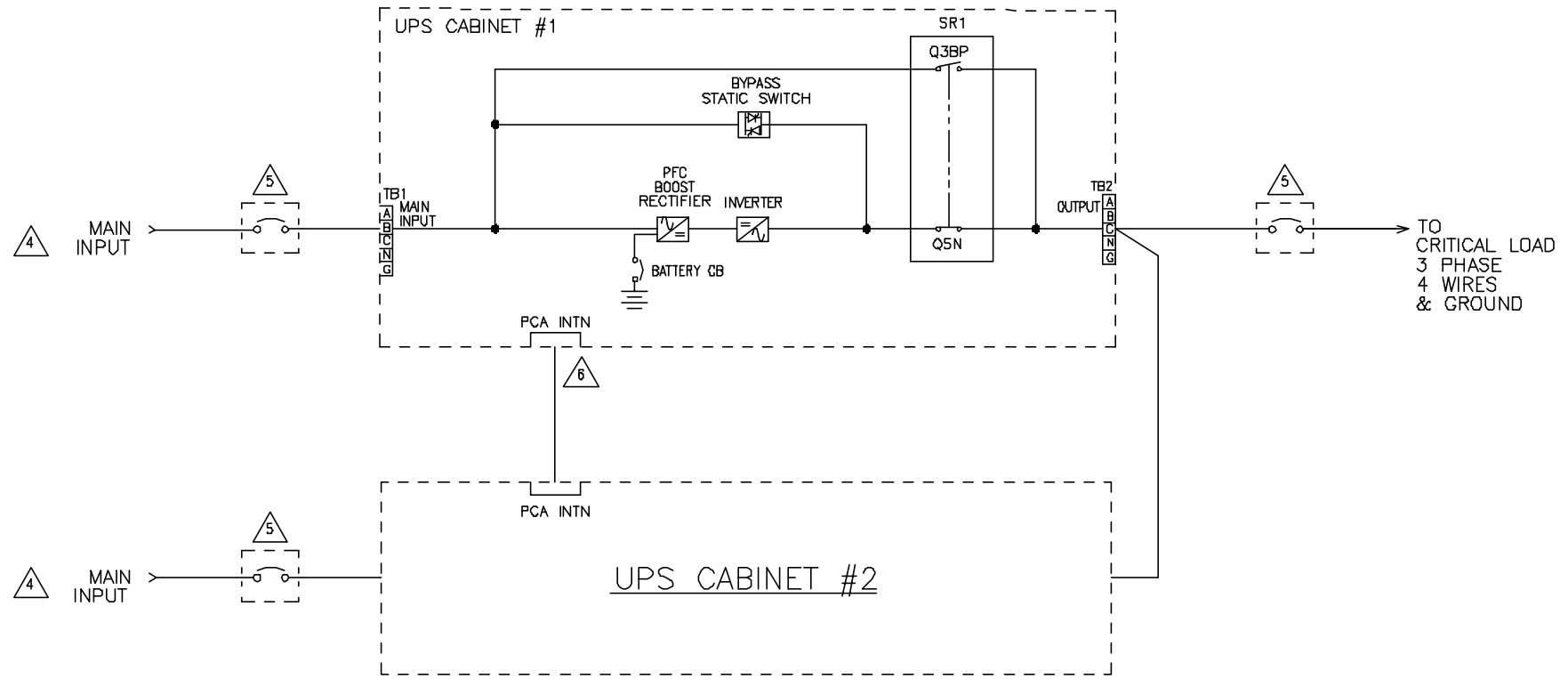


ALL TECHNICAL INFORMATION CONTAINED IN THIS DOCUMENT IS THE EXCLUSIVE PROPERTY OF SCHNEIDER ELECTRIC INDUSTRIES SAS AND MAY NEITHER BE USED NOR DISCLOSED WITHOUT ITS PRIOR WRITTEN CONSENT.

REVISIONS			
REV	DESCRIPTION	DATE	APPROVED
A00	NEW RELEASE	12/08/06	I.K.
B00	REVISED	09/05/08	HD

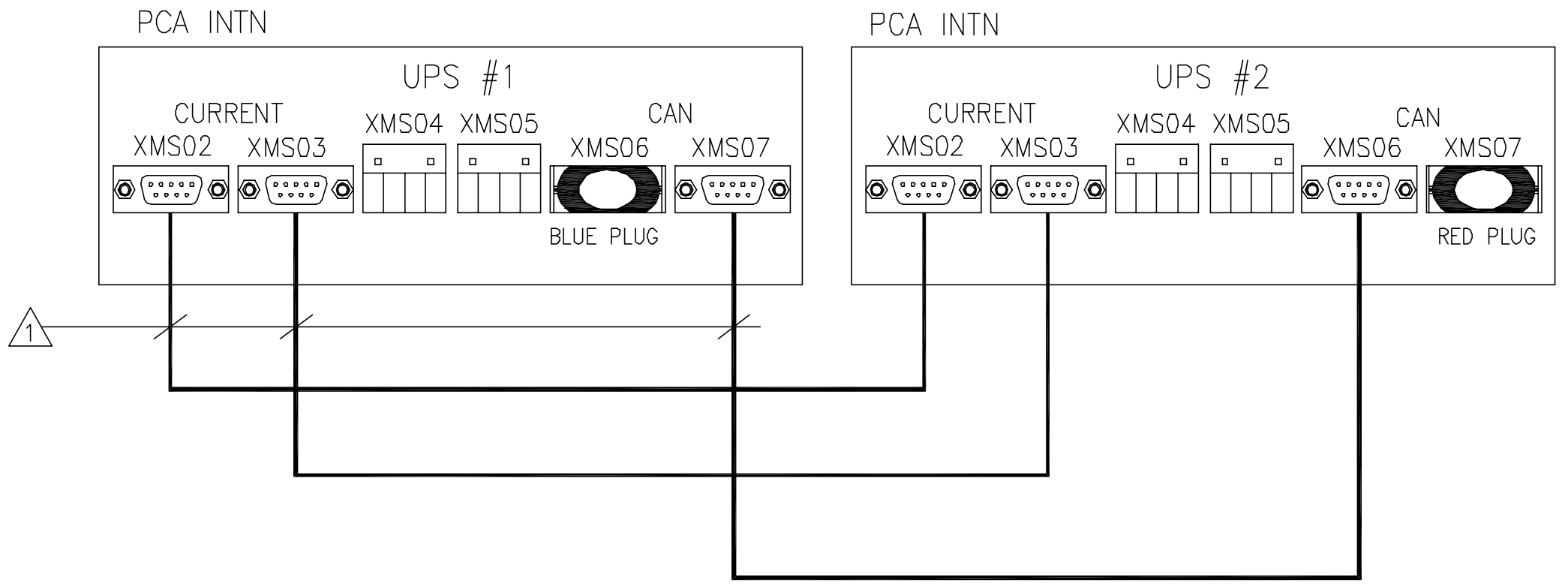


1. FOLLOW ALL APPLICABLE NEC AND LOCAL ELECTRICAL CODES.
2. ALL EXTERNAL WIRING BY CUSTOMER.
3. POWER AND CONTROL CABLES SHALL BE IN SEPARATE CONDUITS.
- ⚠ ALL INPUTS MUST BE FROM THE SAME SOURCE.
3 PHASE, 4 WIRES & GROUND PER UNIT.
- ⚠ UPSTREAM AND DOWNSTREAM PROTECTIVE DEVICE REQUIRED. PROVIDED BY CUSTOMER.
- ⚠ REFERENCE SHEET 2.

NOTES: UNLESS OTHERWISE SPECIFIED.

CONTRACT NO.		SCHNEIDER ELECTRIC <small>Critical Power & Cooling Service Division 1660 Scenic Avenue Costa Mesa, CA. 92626 U.S.A.</small>	
APPROVALS	DATE	SINGLE LINE 2UPS SINGLE INPUT NO SBC GALAXY 3000 PARALLEL	
DRAWN B.KHOLOUSI	09-13-06		
CHECKED M.M.	09-13-06		
ISSUED I.K.	09-13-06		
DO NOT SCALE DRAWING		SIZE B	CAGE CODE 9L985
		DWG NO. 90-170830-00	
		SCALE NONE	REV. B00
		CAD	SHEET 1 OF 2

INTERCONNECTIONS BETWEEN UPS UNITS
EXCHANGE CURRENT AND CAN BUS



① THE SCHNEIDER ELECTRIC CABLES SUPPLIED (33 FT) LIMIT THE DISTANCE BETWEEN THE UPS UNITS.

NOTES: