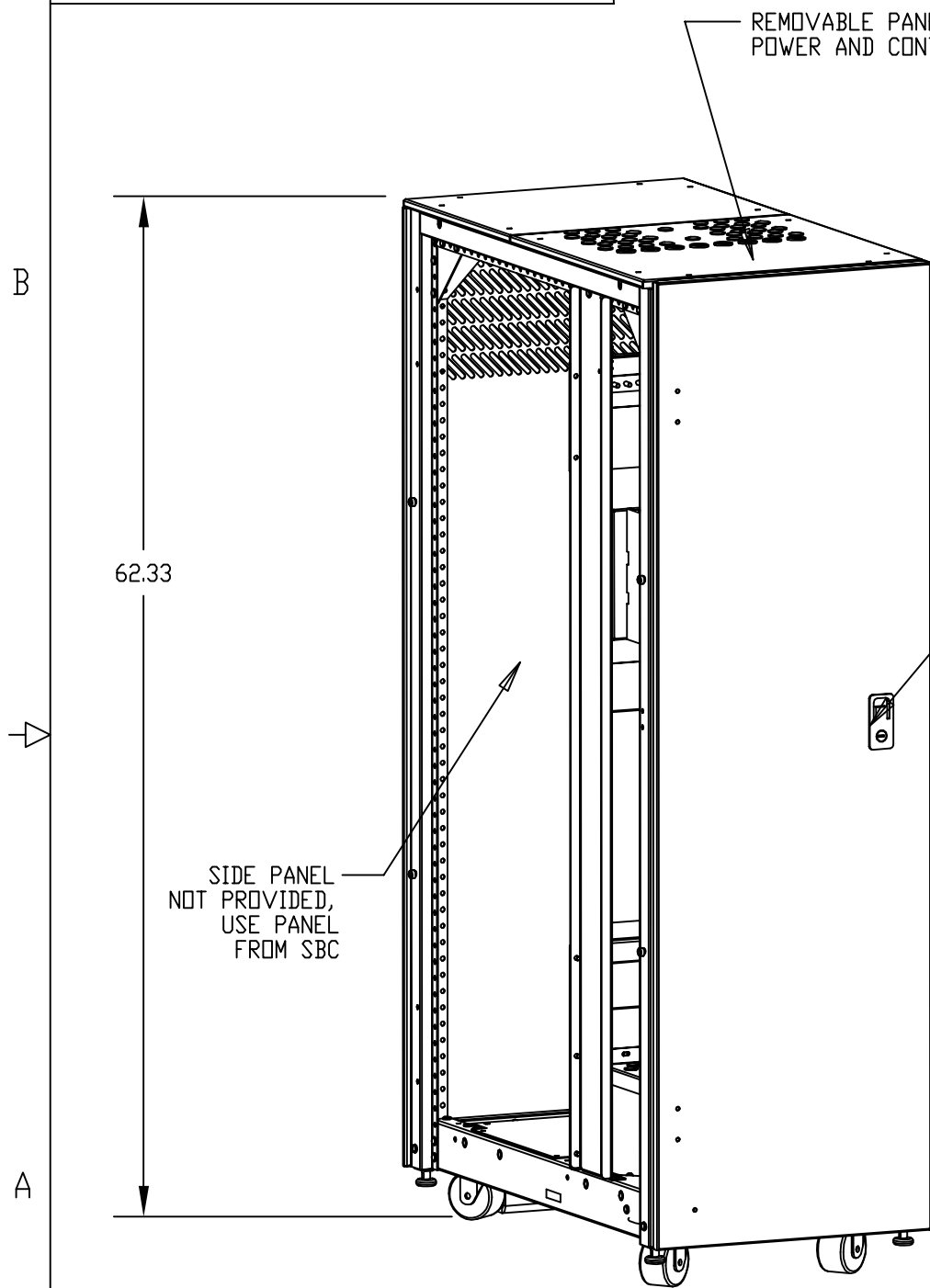


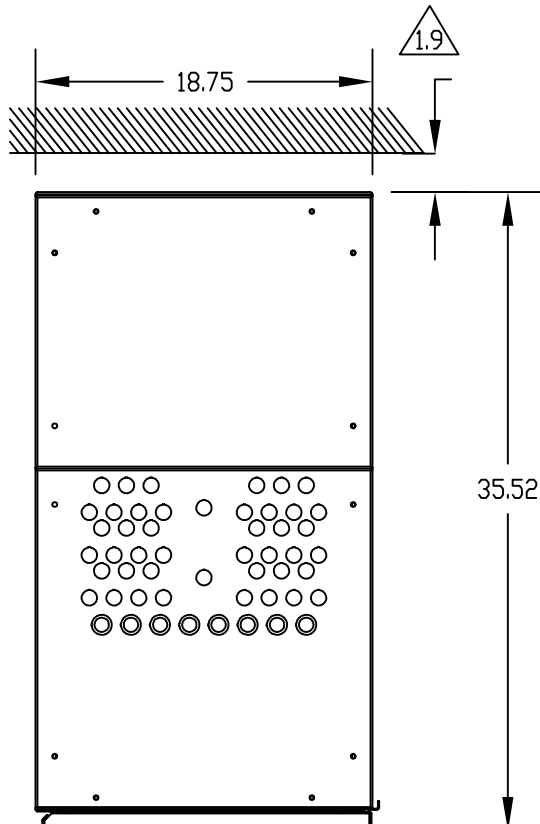
MGE UPS SYSTEMS, INC. (MGE) CLAIMS PROPRIETARY RIGHTS IN THE MATERIAL DISCLOSED HEREON. THIS DOCUMENT IS ISSUED FOR ENGINEERING INFORMATION ONLY. IT MAY NOT BE DISCLOSED TO OTHERS NOR MAY IT BE USED FOR MANUFACTURING PURPOSES WITHOUT WRITTEN PERMISSION FROM MGE.

REVISIONS				
ZONE	REV	DESCRIPTION	DATE	APPROVED
	A00	RELEASED PER ECN-005038	11/02/06	I.K.



DOOR LATCH

RECOMMENDED AISLE SPACE = 32"
DOOR SWING 19.0' @ 100° MAX

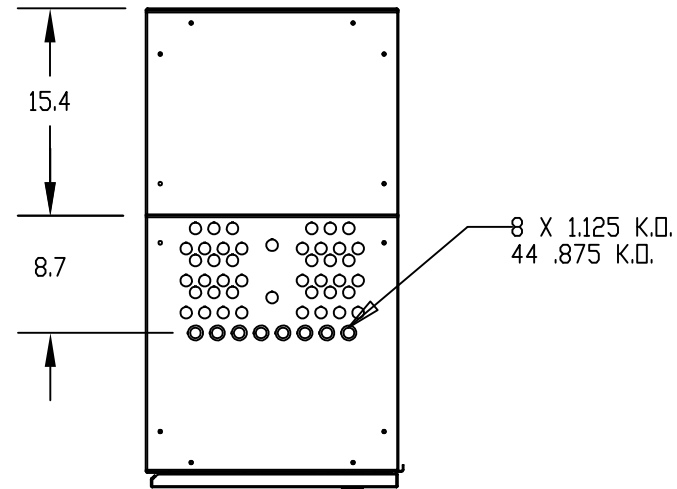


TOP VIEW

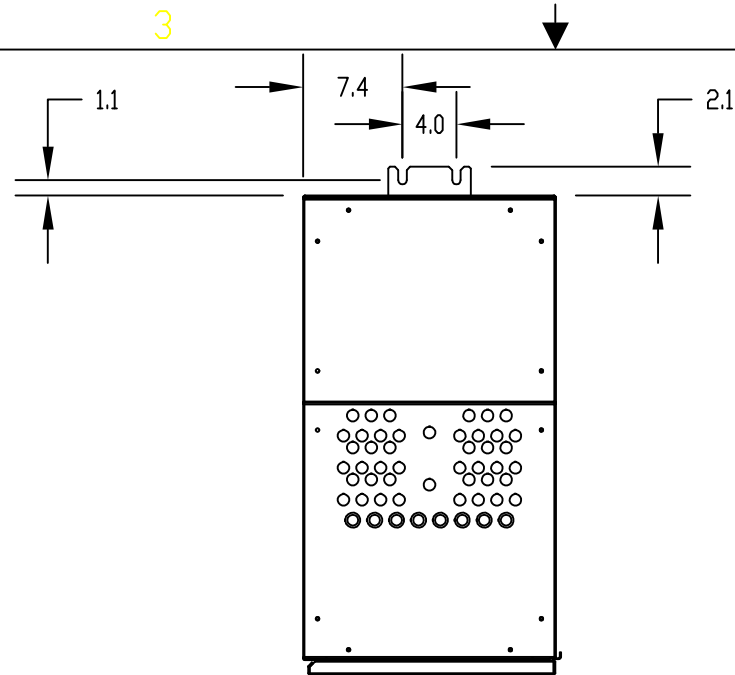
- 1.1 DIMENSION FORMAT IS INCHES. ALL DIMENSIONS ARE TO THE OUTSIDE EDGE OF THE CABINET, EXCLUDING DOOR LATCH AND ALL HARDWARE.
- 1.2 A PHILLIPS SCREWDRIVER IS REQUIRED TO REMOVE INTERNAL AND EXTERNAL PANELS.
- 1.3 COLOR: LIGHT GREY, TIGER DRYLAC 249/12170.
- 1.4 OPERATING TEMPERATURE: 32°F TO 86°F.(30°C) MAX. RECOMMENDED OPERATING RANGE: 60°F (15°C) TO 77°F (25°C)
- 1.5 REFER TO MGE DOCUMENT NO. 9-00038-00 FOR CABLE PREPARATION PROCEDURE FOR FIELD WIRING.
- 1.6 INTERCONNECT CABLES SUPPLIED BY MGE AND CONNECTED BY CUSTOMER.
- 1.7 THE DISTRIBUTION CABINET IS INSTALLED AND ALIGNED TO THE LEFT SIDE OF THE SYSTEM BYPASS CABINET (SBC).
- 1.8 UP TO TWO ADJACENT DISTRIBUTION CABINETS CAN BE INSTALLED.
- 1.9. 4.5' MIN. DISTANCE TO WALL WHEN USING SEISMIC BRACKET.
- 1.10. APPROXIMATE WEIGHT: 220 LBS.

NOTES: UNLESS OTHERWISE SPECIFIED.

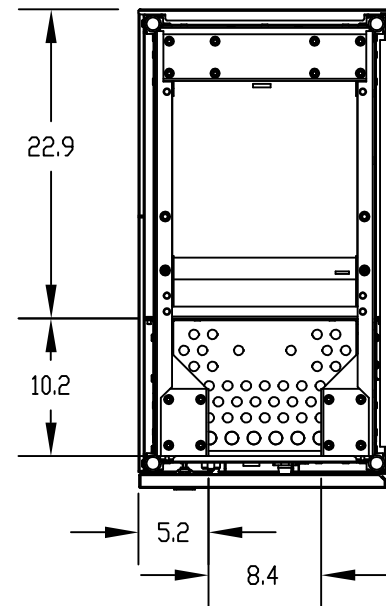
UNLESS OTHERWISE SPECIFIED DIMENSIONS ARE IN INCHES TOLERANCES ARE: DECIMALS .XX ±.03 .XXX ±.010 MATERIAL FINISH	CONTRACT NO.		MGE UPS SYSTEMS MGE UPS Systems, Inc. 1660 Scenic Avenue Costa Mesa, CA 92626				
	APPROVALS	DATE					
	DRAWN	H.DINH	09/01/06	INSTALLATION DRAWING DISTRIBUTION CABINET (ADJACENT TO SBC) GALAXY 3000 PARALLEL			
	CHECKED	J.LING	09/01/06				
	MFG ENG			SIZE	FSCM NO.	DWG. NO.	REV.
	ISSUED	I.KENNEDY	09/01/06	B	9L985	90-170824-00	A00
	72-17081X-XX .***			SCALE 0.100	90-170824-00 .***	SHEET 1 OF 2	



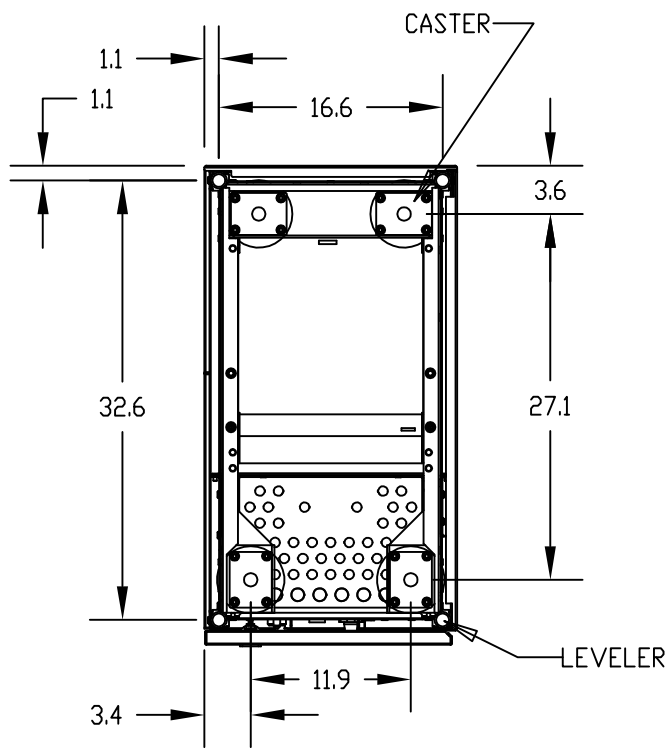
TOP ENTRY CONDUIT LOCATION



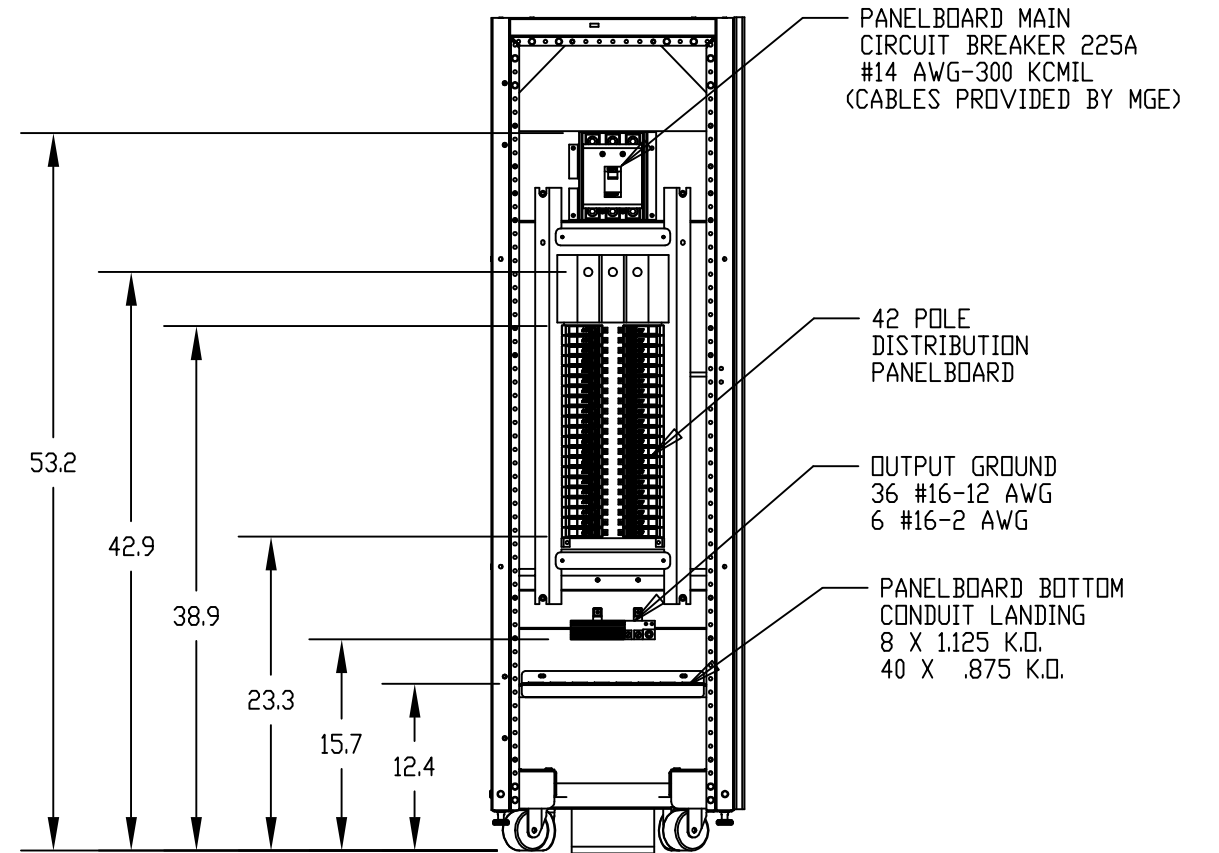
SEISMIC BRACKET LOCATION



BOTTOM ENTRY CONDUIT LOCATION



CASTER & LEVELER LOCATION



NOTES: UNLESS OTHERWISE SPECIFIED.

SIZE B	FSCM NO. 9L985	DWG. NO. 90-170824-00	REV. A00
SCALE 0.075		90-170824-00 -***	SHEET 2 OF 2
72-17081X-XX -***			1