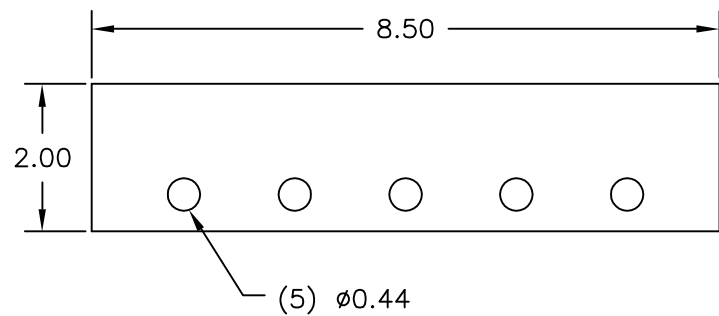
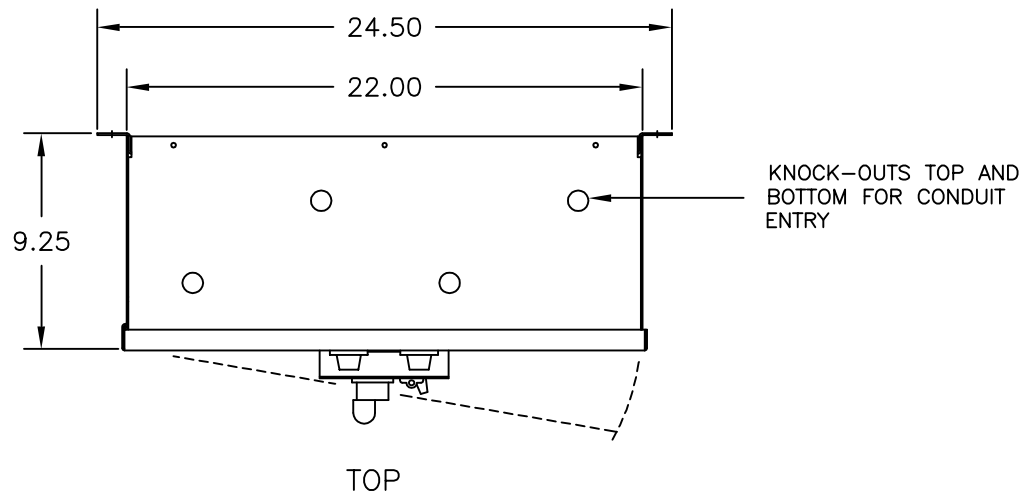


MGE UPS SYSTEMS, INC. CLAIMS PROPRIETARY RIGHTS IN THE MATERIAL DISCLOSED HEREIN. THIS DOCUMENT IS ISSUED FOR ENGINEERING INFORMATION ONLY. IT MAY NOT BE DISCLOSED TO OTHERS NOR MAY IT BE USED FOR MANUFACTURING PURPOSES WITHOUT WRITTEN PERMISSION FROM MGE UPS SYSTEMS, INC.

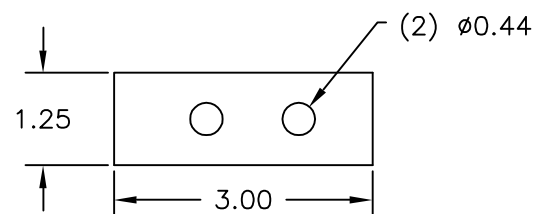
DWG NO.	90-160042-00	SH 1	REV. A02	1
REVISIONS				
ZONE	REV	DESCRIPTION	DATE	APPROVED
	A00	RELEASED PER ECN-003817	3-18-04	DP
	A01	REVISED PER ECN-004199	1/14/05	IK
	A02	ADDED NOTE 7 OPTION REFERENCE ECN-004990	11/14/06	VNE



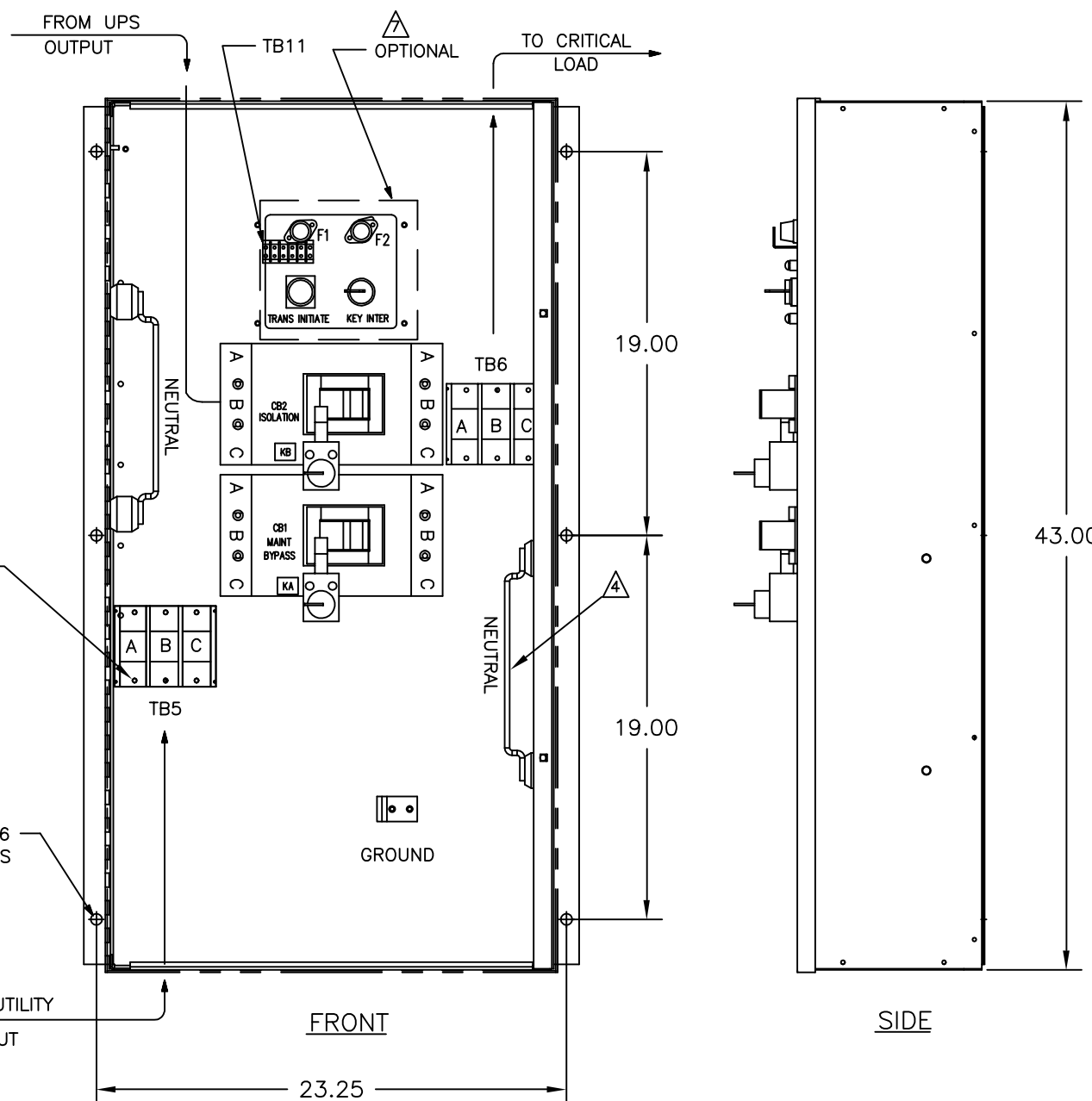
NEUTRAL BUSBAR DETAIL  
(SCALE NONE)



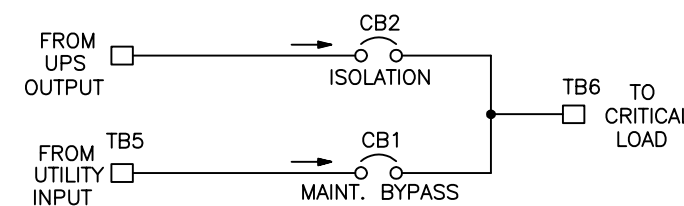
TOP



GROUND BUSBAR DETAIL  
(SCALE NONE)



SINGLE LINE DIAGRAM



WEIGHT (LBS.)

CB RATING	CABINET	CABINET W/PALLET
70-225A	125	175
300A	150	200

CONTROL WIRING INTERCONNECT (OPTIONAL)

FROM	TO
UPS (CONTACTS BOARD)	MBC
XM2-3	TB11-1
XM2-11	TB11-2

GALAXY 3000/GALAXY 4000	
FROM	TO
UPS	MBC
TB4-9	TB11-1
TB4-10	TB11-2

NOTES:

- DIMENSIONS ARE TO THE OUTSIDE EDGES OF THE CABINET EXCLUDING HARDWARE, HANDLES, LOCKS, ETC.
- ALL DIMENSIONS ARE IN INCHES.
- ALL EXTERNAL WIRING BY CUSTOMER.
- NEUTRAL BUS PROVIDED WITH CB RATING ABOVE 125A.
- COLOR: LIGHT GRAY
- XM2 TERMINATIONS SHOWN WITH THE CONTACTS BOARD USING CONFIGURATION 1C.
- REQUIRED ONLY WHEN THE ELECTRICAL INTERLOCK OPTION IS SELECTED.

(6) ø0.56  
MTG. HOLES

UNLESS OTHERWISE SPECIFIED DIMENSIONS ARE IN INCHES AND [MILLIMETERS]. TOLERANCES ARE:		CONTRACT NO.		<b>MGE</b> MGE UPS Systems, Inc. UPS SYSTEMS 1660 Scenic Avenue Costa Mesa, CA. 92626 U.S.A.	
DECIMALS [MILLIMETERS]		APPROVALS DATE			
.X=± .1	X.=± 2.54	DRAWN	DINU PATEL	09/18/03	<b>INSTALLATION DRAWING</b> <b>MAINTENANCE BYPASS CABINET</b> <b>2CB WALL MOUNT</b>
.XX=± .03	.X.=± .7	CHECKED	IK	09/18/03	
.XXX=± .010	.XX=± .25	ISSUED	DSP	09/18/03	
ANGLES ± 0°30'		DO NOT SCALE DRAWING		SIZE CAGE CODE DWG NO. REV D 9L985 90-160042-00 A02	
SCALE NONE		CAD		Agile: D90-160042-00 SHEET 1 OF 1	