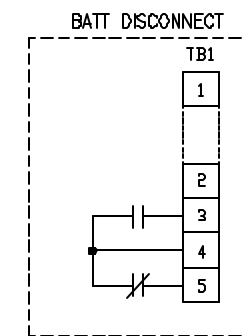
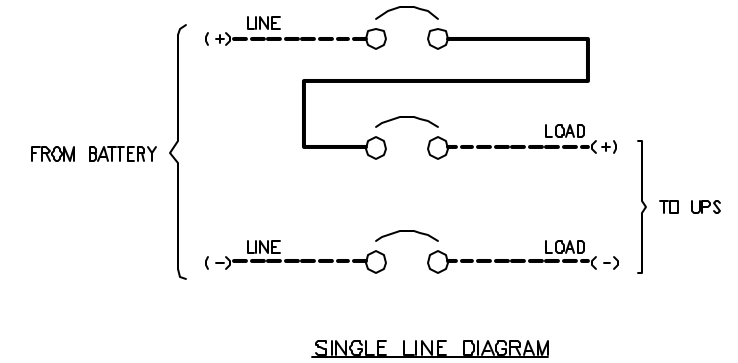
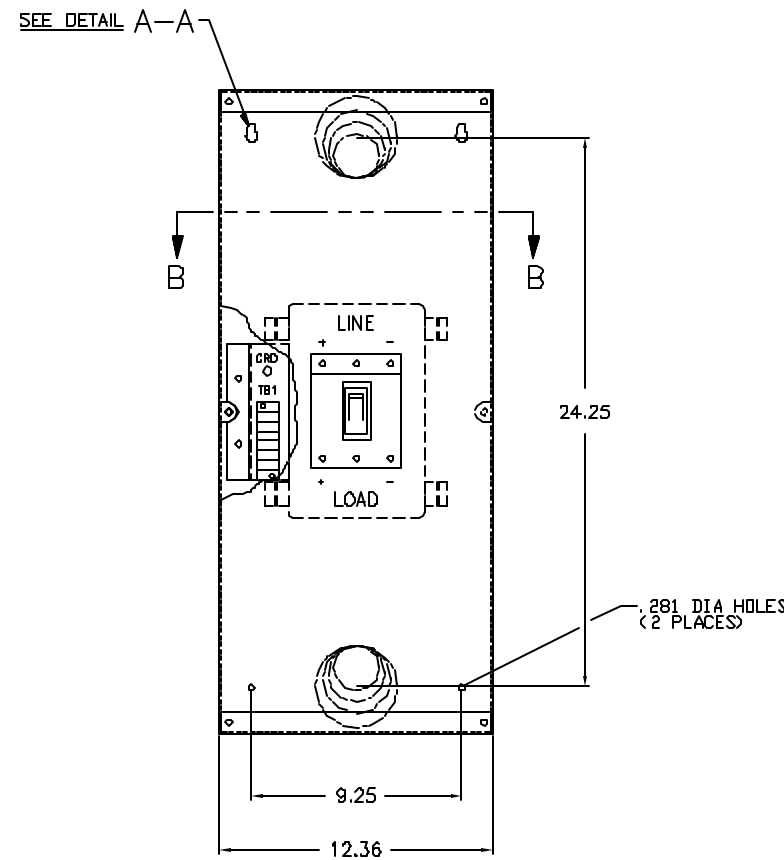
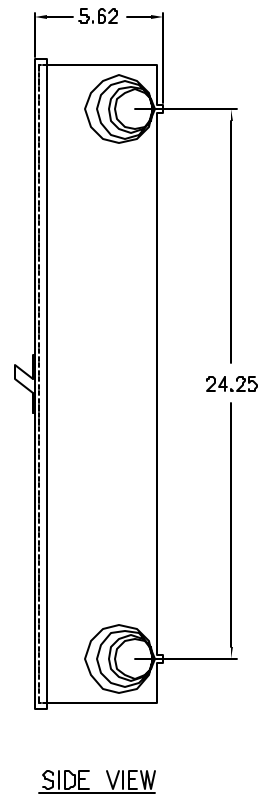
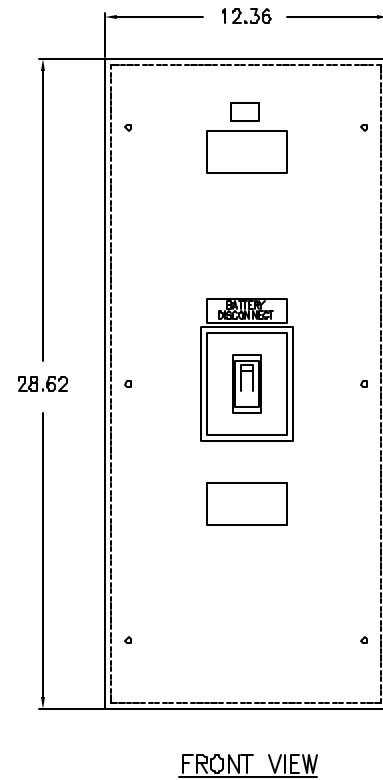
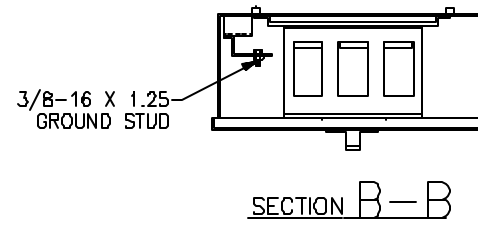
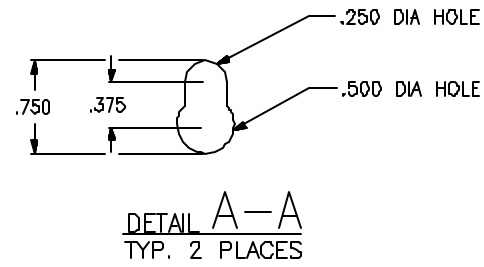
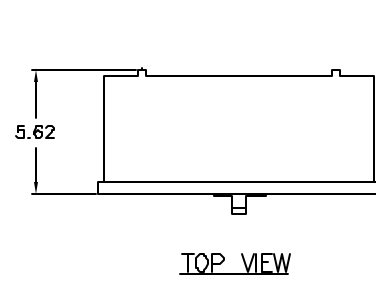


MGE UPS SYSTEMS, INC. (MGE) CLAIMS PROPRIETARY RIGHTS IN THE MATERIAL DISCLOSED HEREON. THIS DOCUMENT IS ISSUED FOR ENGINEERING INFORMATION ONLY. IT MAY NOT BE DISCLOSED TO OTHERS NOR MAY IT BE USED FOR MANUFACTURING PURPOSES WITHOUT WRITTEN PERMISSION FROM MGE.

REVISIONS			
REV.	DESCRIPTION	DATE	APPROVED
A00	NEW RELEASE	10-10-07	KJK



NOTES:

- UNLESS OTHERWISE SPECIFIED, ALL DIMENSIONS ARE TO THE OUTSIDE EDGE OF THE CABINET, EXCLUDING HARDWARE, CIRCUIT BREAKER HANDLE ETC.
- COLOR GRAY (ANSI 49).
- BATTERY DISCONNECT CABINET IS DESIGNED FOR CABLE ENTRY THROUGH TOP OR BOTTOM OF CABINET.
- ENCLOSURE NEMA 1.
- CIRCUIT BREAKER LUGS CAN ACCEPT 1-#6-350MCM.
- CONTROL WIRES MUST BE RUN IN INDIVIDUAL CONDUIT SEPARATE FROM POWER WIRES.
- ALL EXTERNAL WIRING BY OTHERS.

CONTRACT NO.		<b>MGE</b> UPS SYSTEMS		MGE UPS Systems, Inc. 1660 Scenic Avenue Costa Mesa, CA. 92626		
APPROVALS	DATE	<b>INSTALLATION DRAWING</b> <b>BATTERY DISCONNECT CABINET</b> <b>GALAXY 3000</b>				
DRAWN	B.KHOLOUSI					10-10-07
CHECKED	CWT					10-10-07
ISSUED	KJK					10-10-07
SIZE	FSCM NO.	DWG. NO.	REV.			
B	9L985	90-160025-02	A00			
SCALE	NONE	COMET\90160\02502	SHEET	1 OF 1		